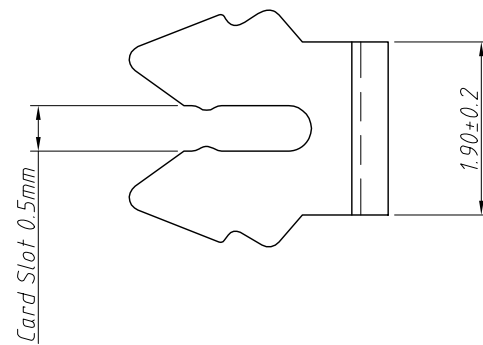
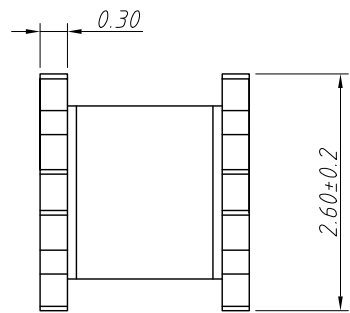


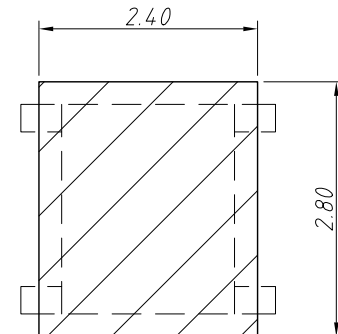
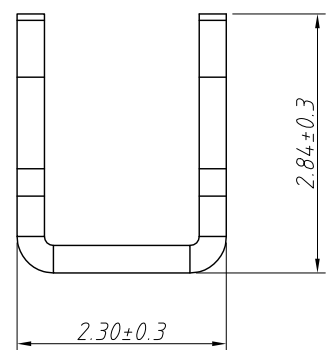
RoHS Compliance

REV	SYM	Revision Record	Appr.	Date
V0	KLS02056	New Version Release	WuHao	2024-11-26



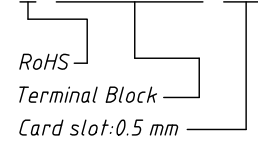
Material:  
Contacts: Brass/Matte, Sn-Plated

Electric:  
Contact Resistance: 20mΩ Max  
Rated Voltage: 250V AC DC  
Rated Current: 1.0A AC DC

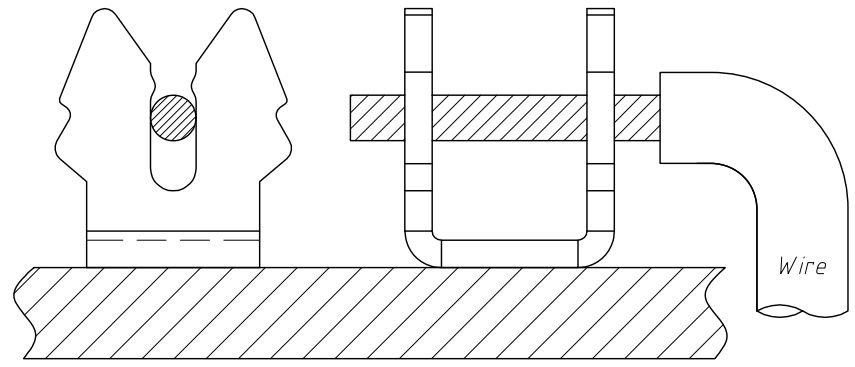
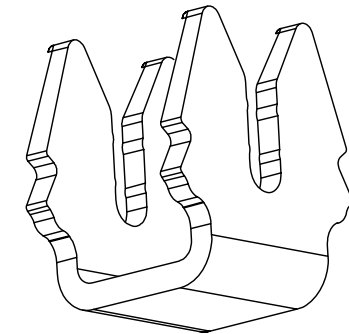


Order Information

L-KLS2-L60B-0.5



Recommended PCB Layout  
Tolerance: ±0.05mm



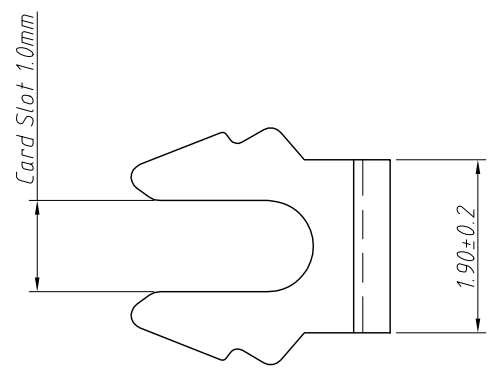
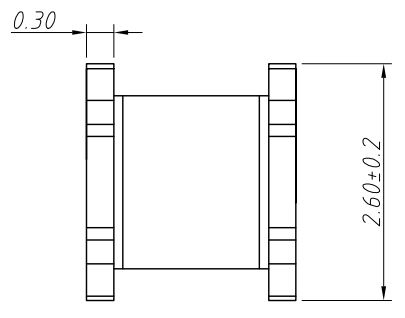
Assembly Layout

20 AWG

ANGLE TOLERANCE	PROJECTION	Description:	Poke-in connectors	
±3°				
GENERAL TOLERANCE	UNITS	mm	KLS P/N:	L-KLS2-L60B-0.5
.x ±0.50	SHEET SIZE	A4		
.x ±0.30	Draw:	WuHao	2024-11-26	NingBo KLS ELECTRONIC CO.,L TD.
.xx ±0.20	Check:	Daniel	2024-11-26	

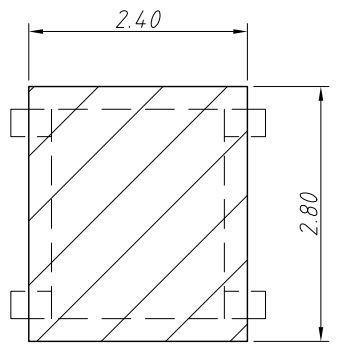
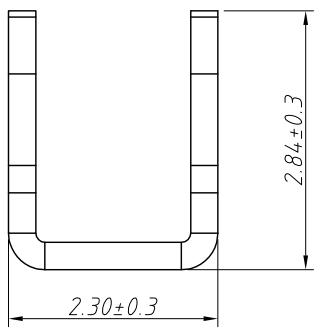
1  
RoHS Compliance

6	7	8
REV	SYM	Revision Record
V0	KLS02056	New Version Release
		Appr.
		WuHao
		Date
		2024-11-26



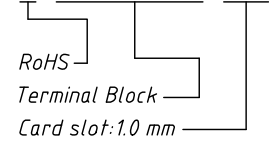
Material:  
Contacts: Brass/Matte, Sn-Plated

Electric:  
Contact Resistance: 20mΩ Max  
Rated Voltage: 250V AC DC  
Rated Current: 1.0A AC DC

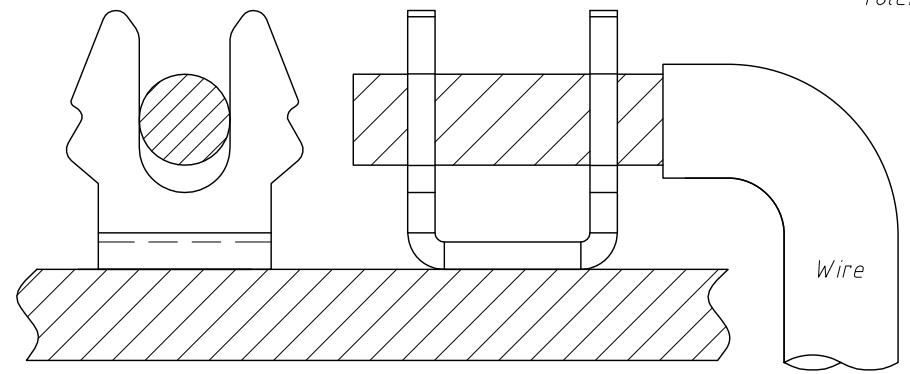
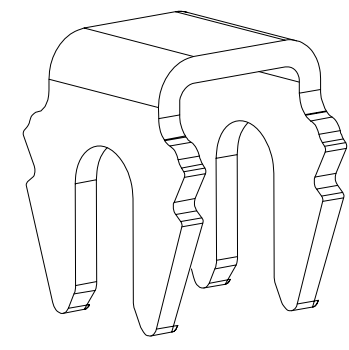


Order Information

L-KLS2-L60B-1.0



Recommended PCB Layout  
Tolerance: ±0.05mm



Assembly Layout

Card Slot 1.0mm 20AWG

ANGLE TOLERANCE	PROJECTION	Description:	
±3°			Poke-in connectors
GENERAL TOLERANCE	UNITS	mm	KLS P/N: L-KLS2-L60B-1.0
.x ±0.50	SHEET SIZE	A4	
.x ±0.30	Draw:	WuHao	2024-11-26
.xx ±0.20	Check:	Daniel	2024-11-26



NingBo KLS ELECTRONIC CO.,LTD.