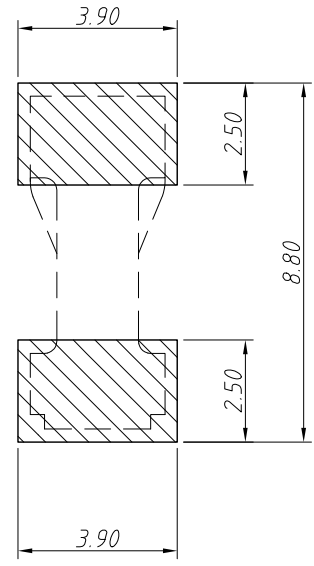
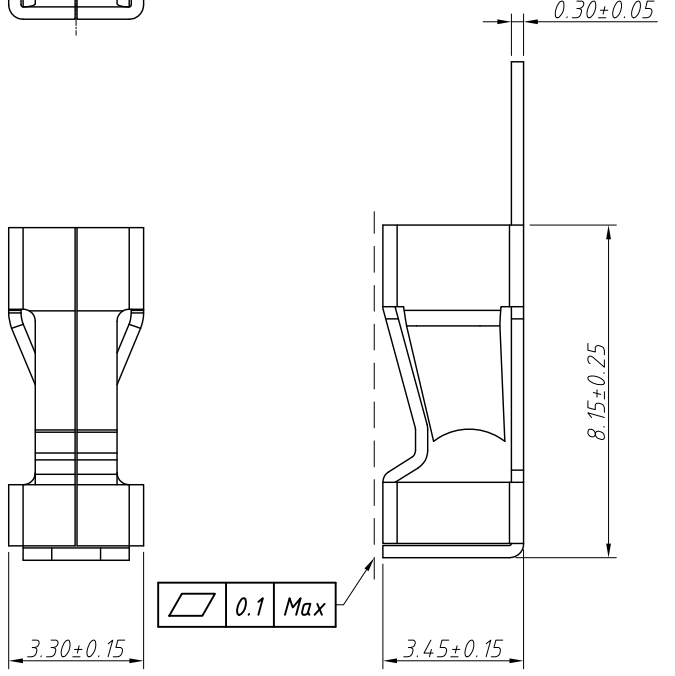
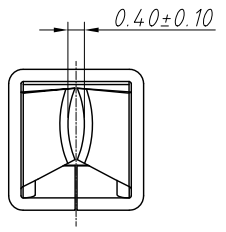


1
RoHS Compliance

6		7		8	
REV	SYM	Revision Record		Appr.	Date
V0	KLS02056	New Version Release		WuHao	2024-11-26

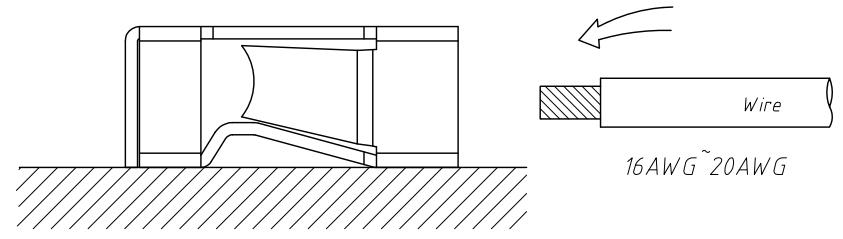
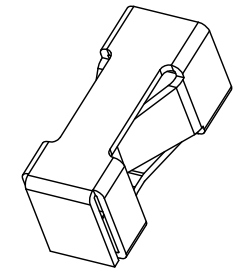


Material:
Contacts: Phosphor Bronze/Matte, Sn-Plated

Electric:
Contact Resistance: 20mΩ Max
Rated Voltage: 250V AC DC
Rated Current: 3.0A AC DC
Temperature Range: -45°C ~ +125°C

0.1 Max

Board Layout



ANGLE TOLERANCE	PROJECTION	Description:			
±3°		Poke-in connectors			
GENERAL TOLERANCE	UNITS	mm	KLS P/N:		
x. ±0.50	SHEET SIZE	A4	L-KLS2-L52B		
.x ±0.30	Draw:	WuHao	2024-11-26	NingBo KLS ELECTRONIC CO.,LTD.	
.xx ±0.20	Check:	Daniel	2024-11-26		