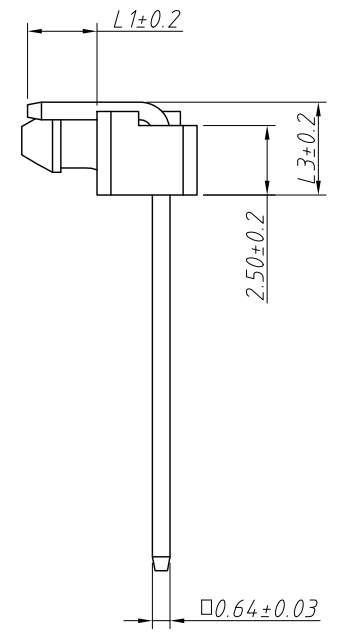
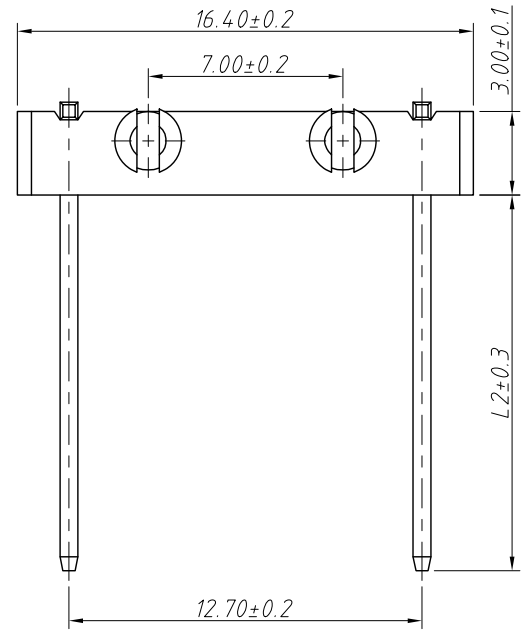


1
RoHS Compliance

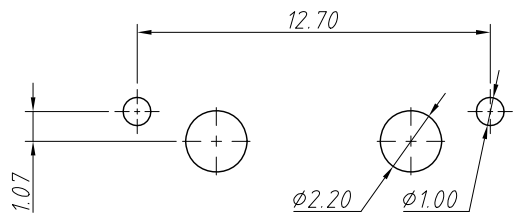
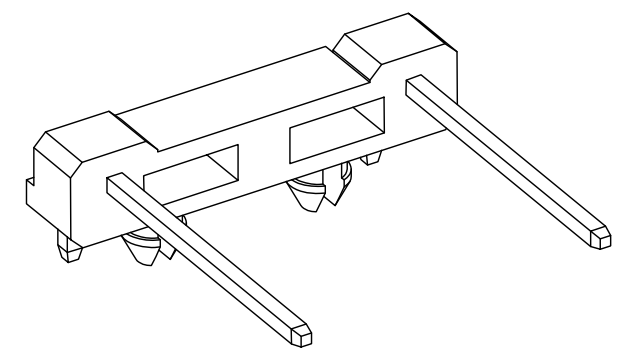
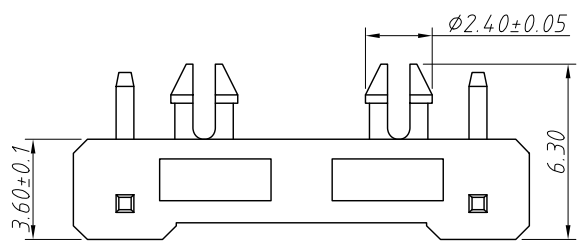
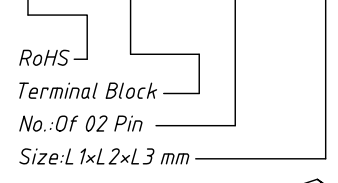
6	7	8
REV	SYM	Revision Record
V0	KLS02056	New Version Release
		Appr.
		WuHao
		Date
		2024-11-26



Material:
Housing: LCP, UL 94V-0, Belge
Contacts: Brass/Matte, Sn-Plated

Electric:
Contact Resistance: 20mΩ Max
Insulation Resistance: 1000MΩ Min
Rated Voltage: 250V AC DC
Rated Current: 2.0A AC DC
Withstanding Voltage: 1000V AC/minute
Temperature Range: -40°C ~ +120°C

Order Information
L-KLS2-L127-02-L1×L2×L3



Recommended PCB Layout
Tolerance: ±0.05mm

L1	L2	L3	Plastic Height
2.50	13.50	3.34	3.00
2.50	10.00	3.34	3.00
2.50	13.00	3.34	3.00
2.50	16.50	3.34	3.00
2.50	11.00	3.34	3.00
2.50	8.50	3.34	3.00
2.50	12.50	3.34	3.00
2.50	12.00	3.34	3.00

ANGLE TOLERANCE	PROJECTION	Description:
±3°		LED Tube Connector, Pitch 12.7mm
GENERAL TOLERANCE	UNITS	mm
x. ±0.50	SHEET SIZE	A4
.x ±0.30	Draw:	WuHao 2024-11-26
.xx ±0.20	Check:	Daniel 2024-11-26
KLS P/N:		L-KLS2-L127-02-L1×L2×L3

