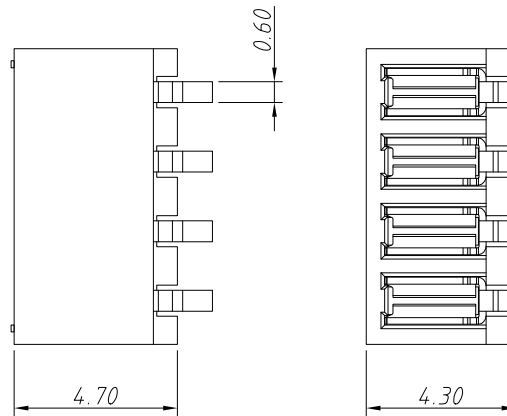
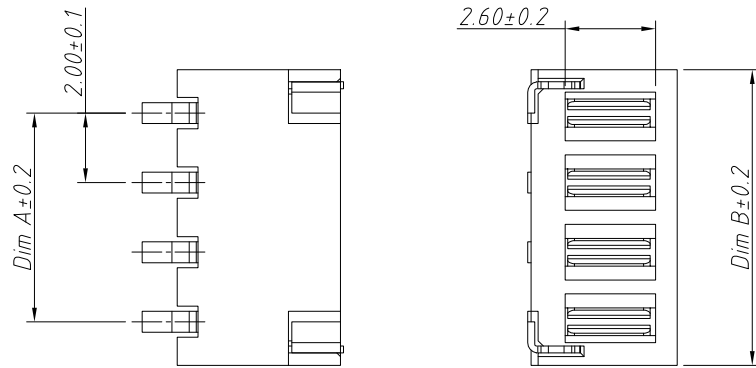


1 RoHS Compliance

REV	SYM	Revision Record	Appr.	Date
V0	KLS02056	New Version Release	WuHao	2024-11-26

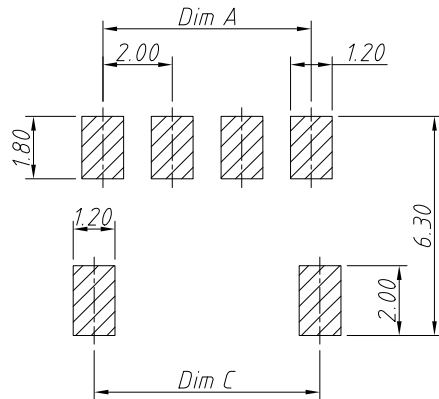
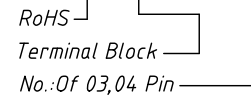


Material:
 Housing:LCP,UL 94V-0,Black/Belge
 Contacts:Phosphor Bronze/Matte,Sn-Tip
 Cover:Phosphor Bronze/Matte,Sn-Tip

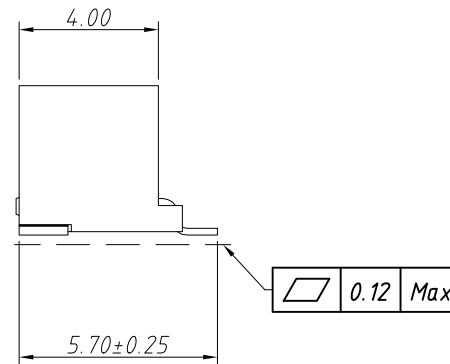
Electric:
 Contact Resistance:30mΩ Max
 Insulation Resistance:1000MΩ Min
 Rated Voltage:275V AC DC
 Rated Current:1.0A AC DC
 Withstanding Voltage:1000V AC/minute
 Temperature Range:-40°C ~ + 120°C

Order Information

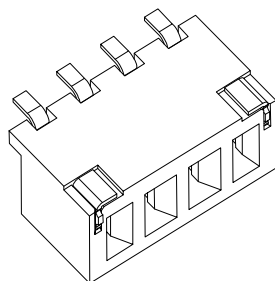
L-KLS2-L 126A-XX



Recommended PCB Layout
 Tolerance:±0.05mm



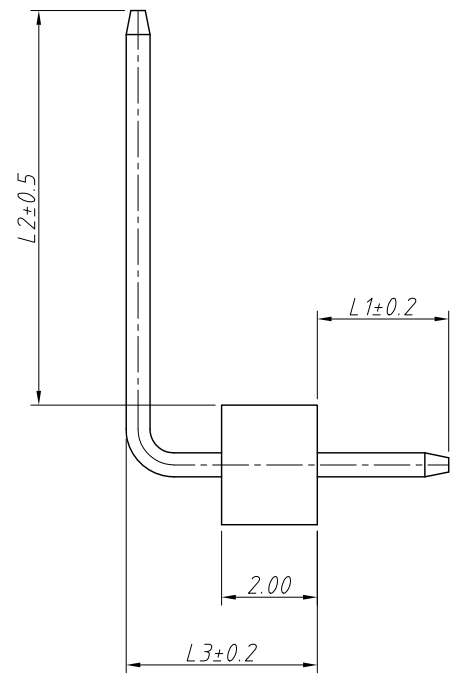
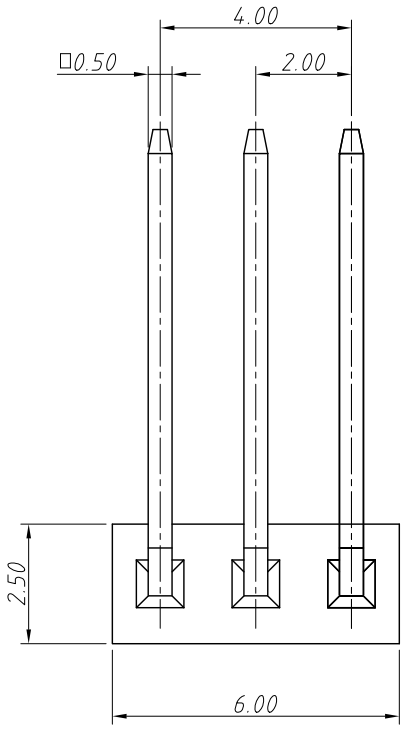
Pin	Dim A	Dim B	Dim C
03	4.00	6.50	4.50
04	6.00	8.50	6.50



ANGLE TOLERANCE	PROJECTION	Description:
±3°		LED Tube Connector,Pitch 2.0mm
GENERAL TOLERANCE	UNITS	mm
x. ±0.50	SHEET SIZE	A4
.x ±0.30	Draw:	WuHao 2024-11-26
.xx ±0.20	Check:	Daniel 2024-11-26
		KLS NingBo KLS ELECTRONIC CO.,L TD.

1
RoHS Compliance

6		7		8	
REV	SYM	Revision Record		Appr.	Date
V0	KLS02056	New Version Release		WuHao	2024-11-26



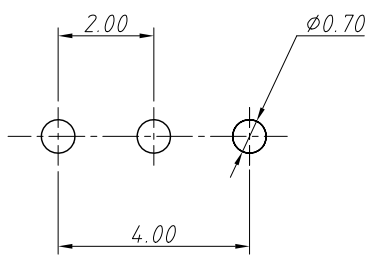
Material:
Housing:PA46,UL 94V-0,Natural(Belge)
Contacts:Brass/Matte,Sn-Plated

Electric:
Contact Resistance:30mΩ Max
Insulation Resistance:1000MΩ Min
Rated Voltage:275V AC DC
Rated Current:1.0A AC DC
Withstanding Voltage:1000V AC/minute
Temperature Range:-40°C ~ + 110°C

Order Information
L-KLS2-L126B-03-L1xL2xL3

```

graph TD
    Root[L-KLS2-L126B-03-L1xL2xL3] --- L1[RoHS]
    Root --- L2[Terminal Block]
    Root --- L3[No.:Of 03 Pin]
    Root --- L4[Size:L1xL2xL3 mm]
  
```



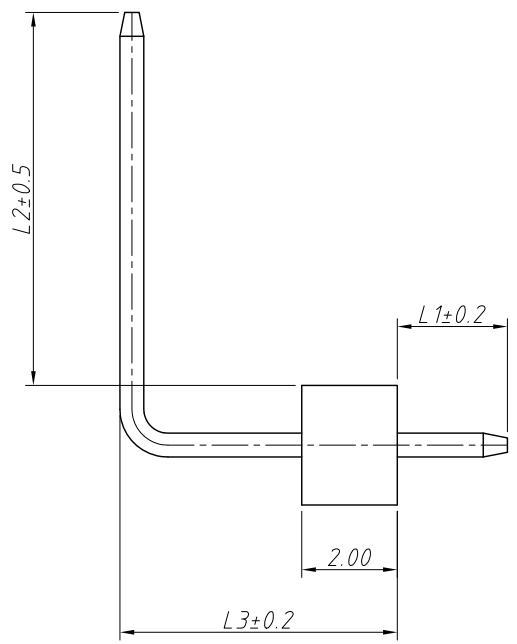
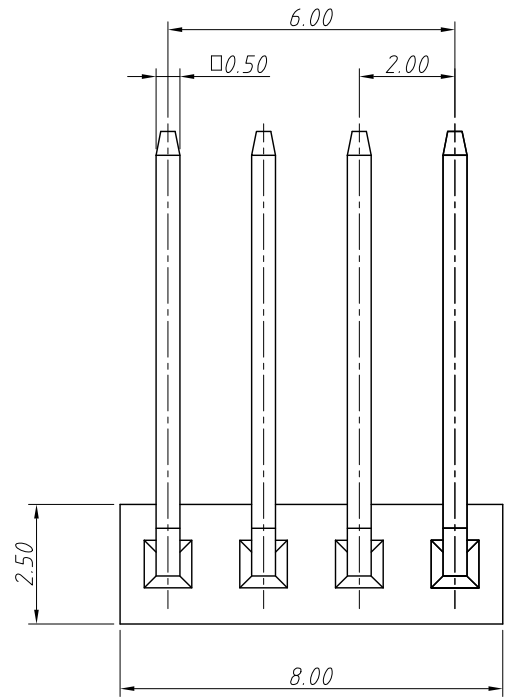
Recommended PCB Layout
Tolerance:±0.05mm

L1	L2	L3	Plastic Height
2.15	6.00	2.60	2.00
2.15	6.00	2.60	2.00
3.00	10.30	2.60	2.00
1.65	5.50	2.60	2.00
2.75	8.25	4.00	2.00
3.25	12.00	2.60	2.00
1.60	5.00	2.60	2.00
3.50	5.75	2.60	2.00
3.00	8.30	2.60	2.00

ANGLE TOLERANCE	PROJECTION	Description:			
±3°		LED Tube Connector,Pitch 2.0mm			
GENERAL TOLERANCE	UNITS	mm	KLS P/N:		
x. ±0.50	SHEET SIZE	A4	L-KLS2-L126B-03-L1xL2xL3		
.x ±0.30	Draw:	WuHao	2024-11-26	NingBo KLS ELECTRONIC CO.,L TD.	
.xx ±0.20	Check:	Daniel	2024-11-26		

1
RoHS Compliance

6		7		8	
REV	SYM	Revision Record		Appr.	Date
V0	KLS02056	New Version Release		WuHao	2024-11-26

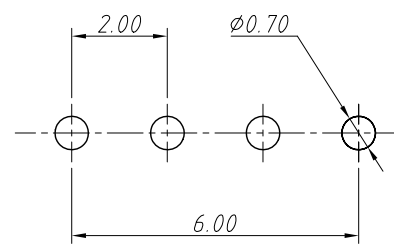


Material:
 Housing: PA46, UL 94V-0, Natural (Belge)
 Contacts: Brass/Matte, Sn-Plated

Electric:
 Contact Resistance: 30mΩ Max
 Insulation Resistance: 1000MΩ Min
 Rated Voltage: 275V AC DC
 Rated Current: 1.0A AC DC
 Withstanding Voltage: 1000V AC/minute
 Temperature Range: -40°C ~ +110°C

Order Information
 L-KLS2-L126B-04-L1xL2xL3

RoHS
 Terminal Block
 No.: Of 04 Pin
 Size: L1xL2xL3 mm



Recommended PCB Layout
 Tolerance: ±0.05mm

L1	L2	L3	Plastic Height
1.65	5.50	2.60	2.00
2.15	5.50	2.60	2.00
2.50	5.50	6.00	2.00
10.30	3.00	2.60	2.00
1.65	5.70	5.00	2.00
2.30	7.80	5.80	2.00
2.30	6.60	5.40	2.00
7.30	2.50	2.60	2.00
2.50	5.50	2.60	2.00

ANGLE TOLERANCE		PROJECTION		Description:		
±3°				LED Tube Connector, Pitch 2.0mm		
GENERAL TOLERANCE		UNITS	mm	KLS P/N:	L-KLS2-L126B-04-L1xL2xL3	
x.	±0.50	SHEET SIZE	A4	NingBo KLS ELECTRONIC CO.,L TD.		
.x	±0.30	Draw:	WuHao			2024-11-26
.xx	±0.20	Check:	Daniel			2024-11-26