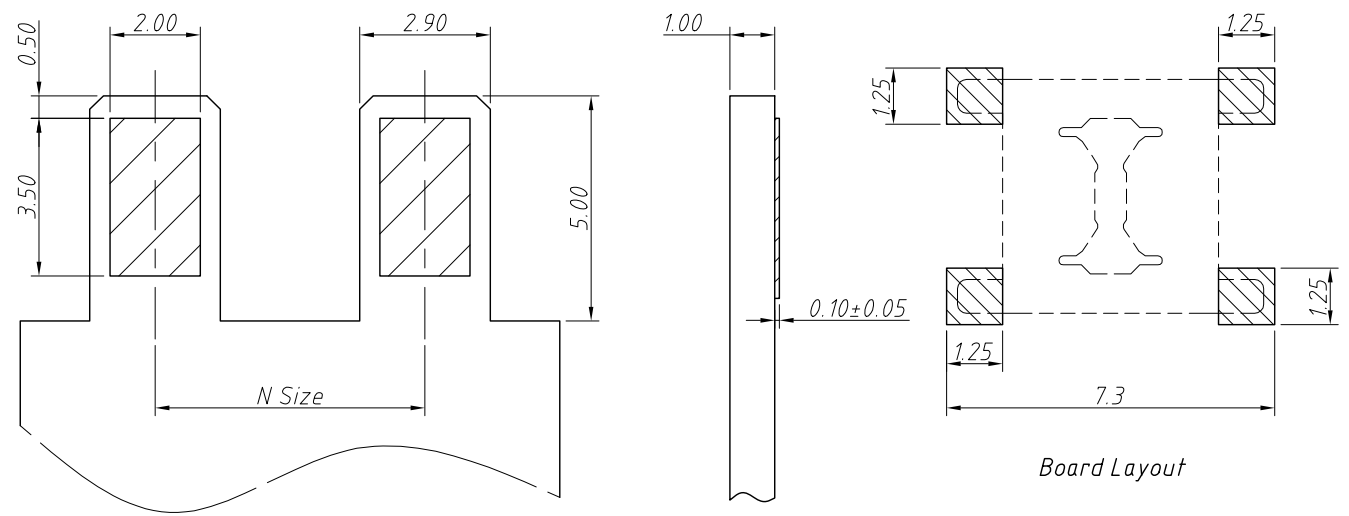
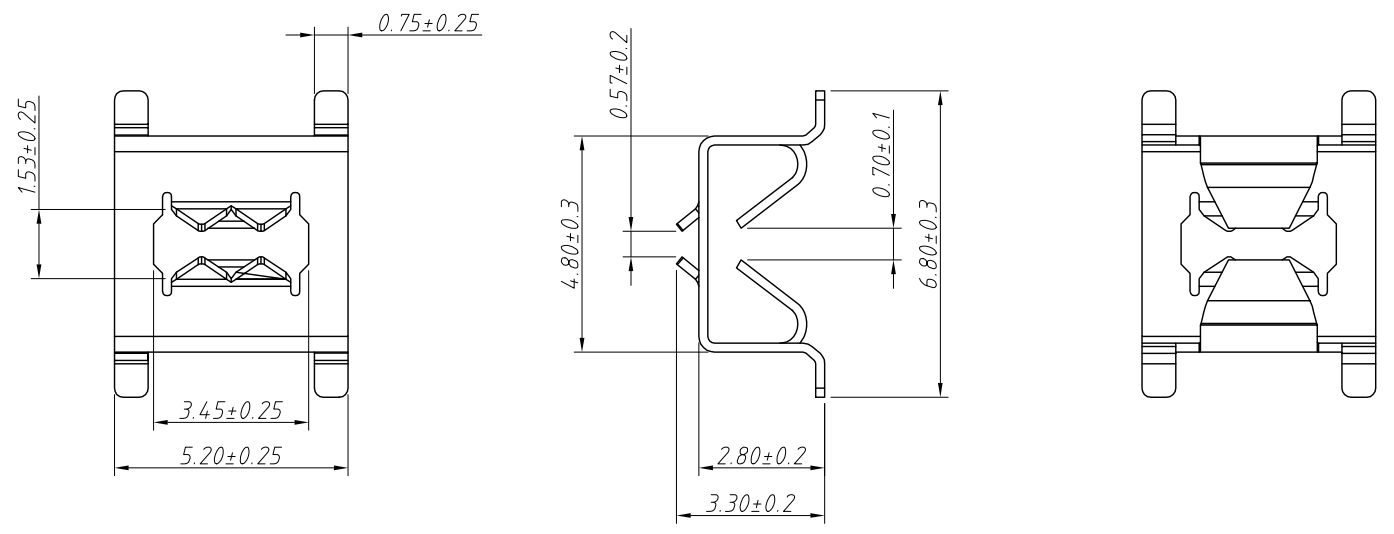


1
RoHS Compliance

7		8	
REV	SYM	Revision Record	Appr.
V0	KLS02056	New Version Release	WuHao
			Date
			2024-11-25



Material:
Contacts: Phosphor Bronze/Matte, Sn-Plated

Electric:
Contact Resistance: $20m\Omega$ Max
Rated Voltage: 250V AC DC
Rated Current: 1.0A AC DC
Temperature Range: $-45^{\circ}C \sim +125^{\circ}C$
Thickness: 1.0 mm

Recommended PCB Layout
Tolerance: $\pm 0.05mm$

ANGLE TOLERANCE	PROJECTION	Description:	
$\pm 3^{\circ}$			Led bulb connector
GENERAL TOLERANCE	UNITS	mm	KLS P/N: L-KLS2-L23
.x ± 0.50	SHEET SIZE	A4	
.x ± 0.30	Draw:	WuHao	2024-11-25
.xx ± 0.20	Check:	Daniel	2024-11-25

