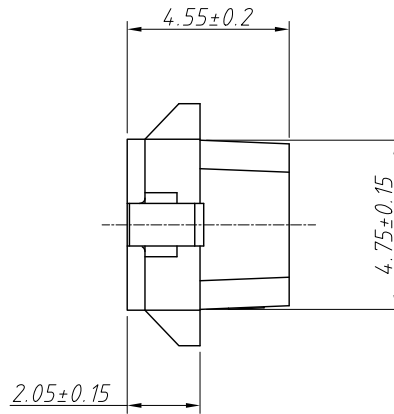
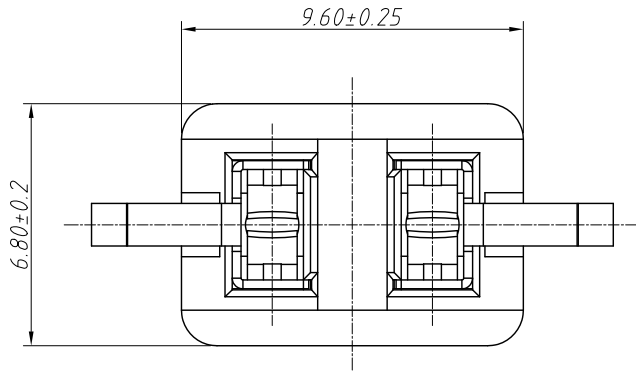


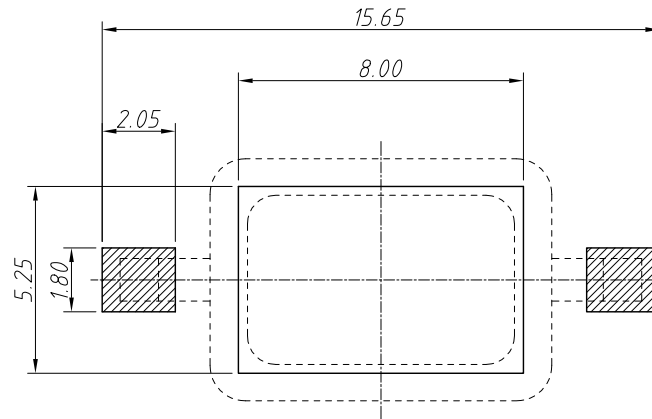
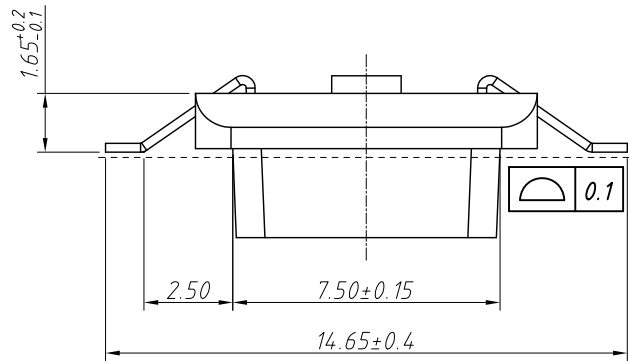
1 RoHS Compliance

REV	SYM	Revision Record	Appr.	Date
V0	KLS02056	New Version Release	WuHao	2024-11-25

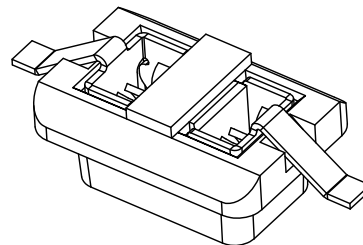
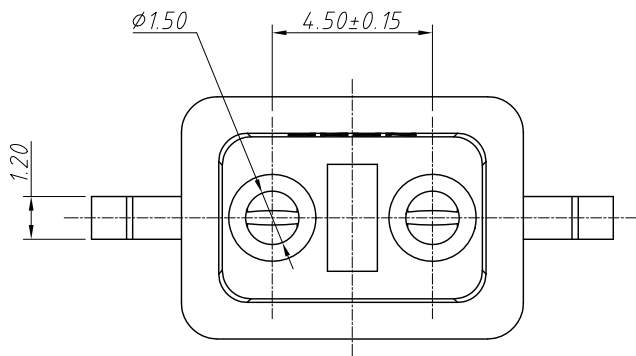
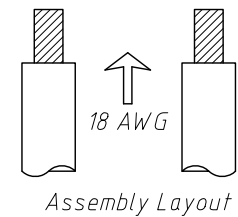
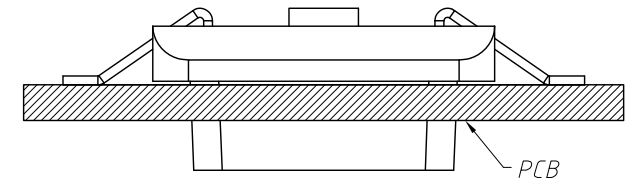


Material:
 Housing: LCP, UL 94V-0, Beige
 Contacts: Phosphor Bronze/Matte, Sn-Plated

Electric:
 Contact Resistance: 20mΩ Max
 Insulation Resistance: 1000MΩ Min
 Rated Voltage: 275V AC DC
 Rated Current: 2.0A AC DC
 Withstanding Voltage: 1000V AC/minute
 Temperature Range: -40°C ~ +120°C



Recommended PCB Layout
 Tolerance: ±0.05mm

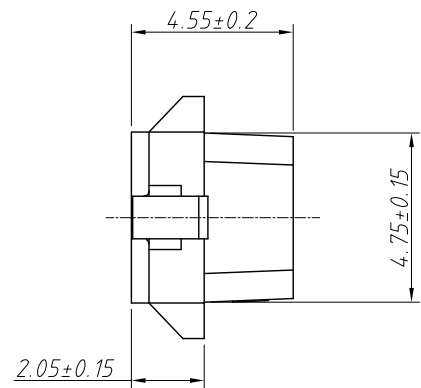
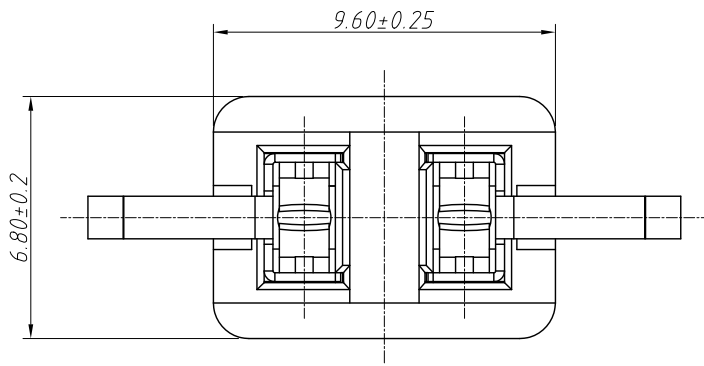


ANGLE TOLERANCE	PROJECTION	Description:		
±3°		Led bulb connector, Pitch 4.5mm		
GENERAL TOLERANCE	UNITS	mm	KLS P/N:	
x. ±0.50	SHEET SIZE	A4	L-KLS2-L89	
.x ±0.30	Draw:	WuHao	2024-11-25	
.xx ±0.20	Check:	Daniel	2024-11-25	

KLS NingBo KLS ELECTRONIC CO., L.TD.

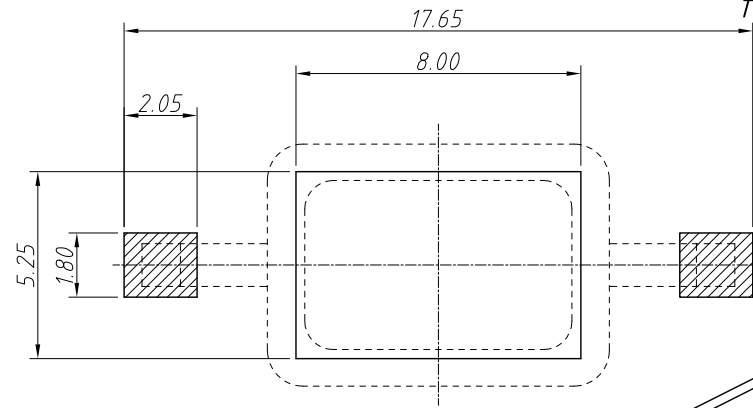
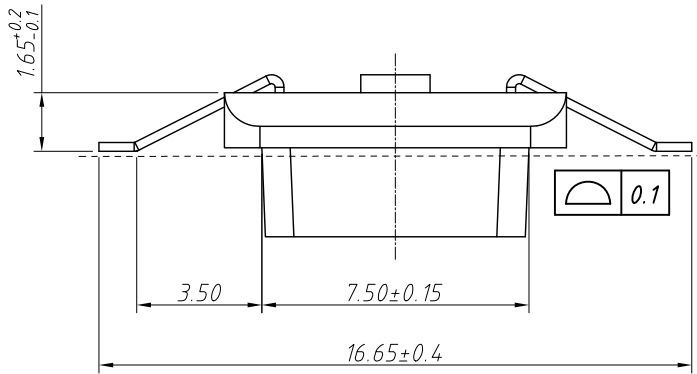
1 RoHS Compliance

REV	SYM	Revision Record	Appr.	Date
V0	KLS02056	New Version Release	WuHao	2024-11-25

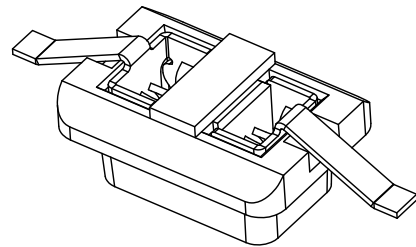
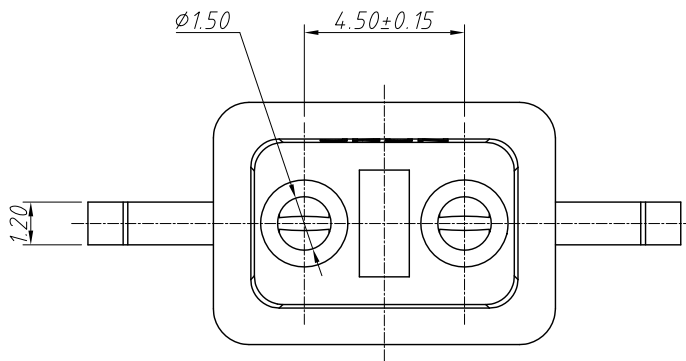
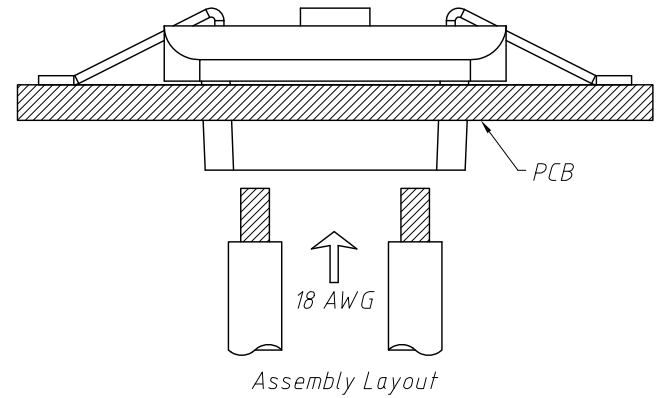


Material:
 Housing:LCP,UL 94 V-0,Beige
 Contacts:Phosphor Bronze/Matte,Sn-Plated

Electric:
 Contact Resistance:20mΩ Max
 Insulation Resistance:1000MΩ Min
 Rated Voltage:275V AC DC
 Rated Current:2.0A AC DC
 Withstanding Voltage:1000V AC/minute
 Temperature Range:-40°C ~ + 120°C



Recommended PCB Layout
 Tolerance:±0.05mm



ANGLE TOLERANCE	PROJECTION	Description:	Led bulb connector,Pitch 4.5mm ,Big Distance
±3°			
GENERAL TOLERANCE	UNITS	mm	KLS P/N: L-KLS2-L89B
.x ±0.50	SHEET SIZE	A4	
.x ±0.30	Draw:	WuHao	2024-11-25
.xx ±0.20	Check:	Daniel	2024-11-25

