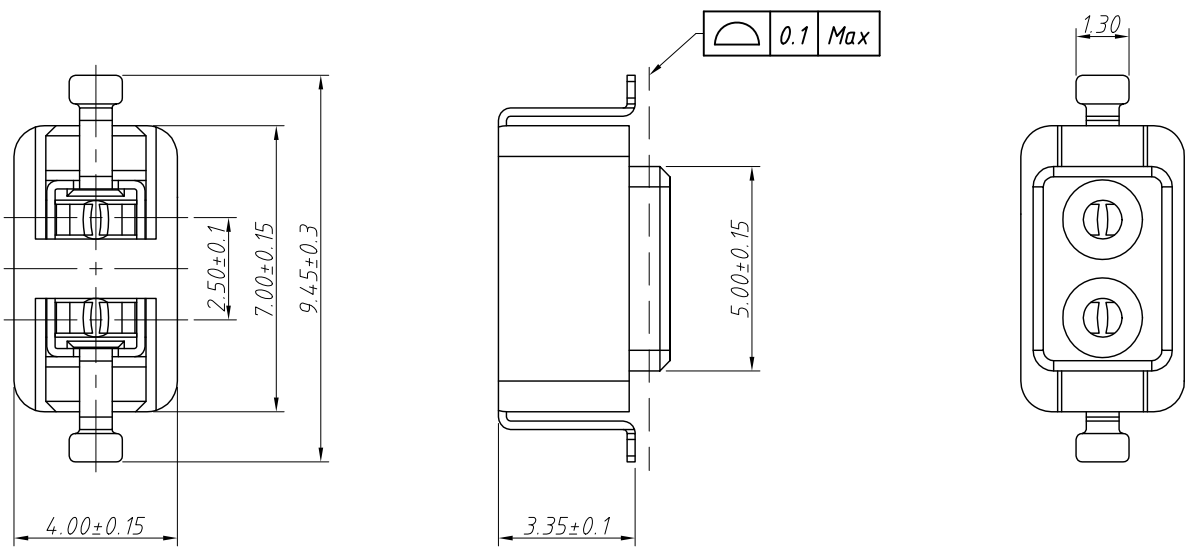


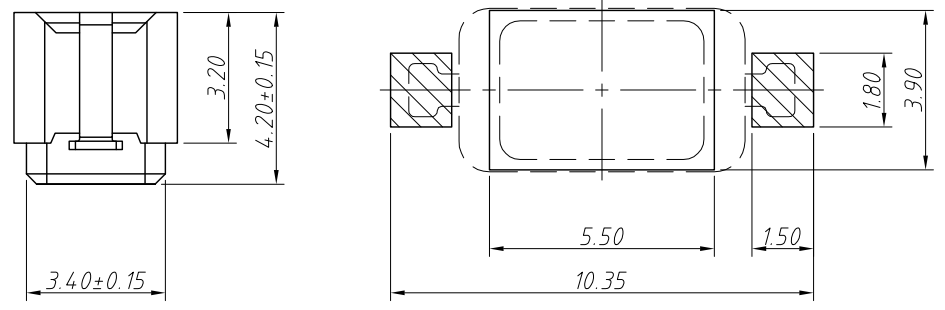
1  
RoHS Compliance

7		8		
REV	SYM	Revision Record	Appr.	Date
V0	KLS02056	New Version Release	WuHao	2024-11-25

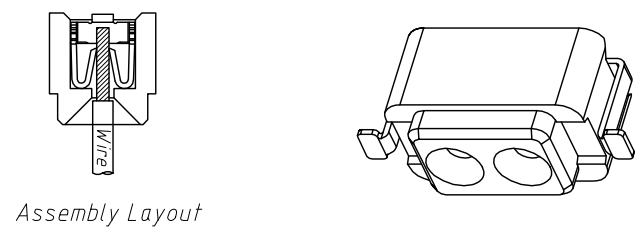


Material:  
Housing:LCP,UL 94V-0,Beige  
Contacts:Phosphor Bronze,Tin-Plated

Electric:  
Contact Resistance:20mΩ Max  
Insulation Resistance:1000MΩ Min  
Rated Voltage:275V AC DC  
Rated Current:1.0A AC DC  
Withstanding Voltage:1500V AC/minute  
Temperature Range:-40°C ~ + 120°C  
Poles:02  
Wire Range: φ0.46 ~ 0.6mm Single Strand  
Flexible Wire  
Strip Length:4.5 ~ 5.5 mm



Recommended PCB Layout  
Tolerance:±0.05mm



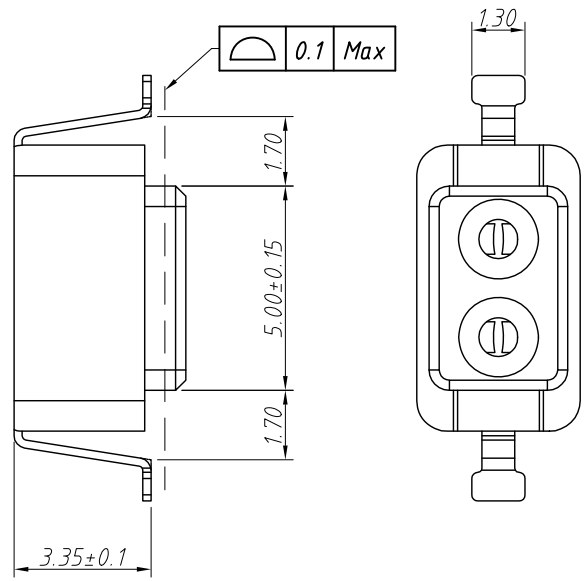
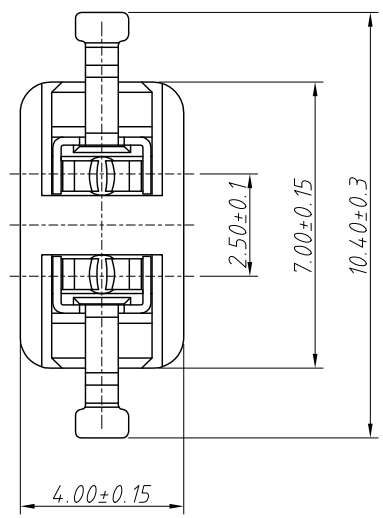
Assembly Layout

ANGLE TOLERANCE	PROJECTION	Description:		
±3°		2.5mm Pitch 180° Wafer Smt Type		
GENERAL TOLERANCE	UNITS	mm	KLS P/N:	L-KLS2-L115
.x ±0.50	SHEET SIZE	A4		
.x ±0.30	Draw:	WuHao	2024-11-25	
.xx ±0.20	Check:	Daniel	2024-11-25	

**KLS** electronic  
NingBo KLS ELECTRONIC CO.,LTD.

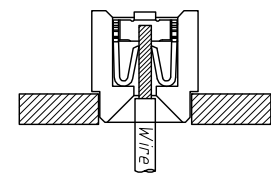
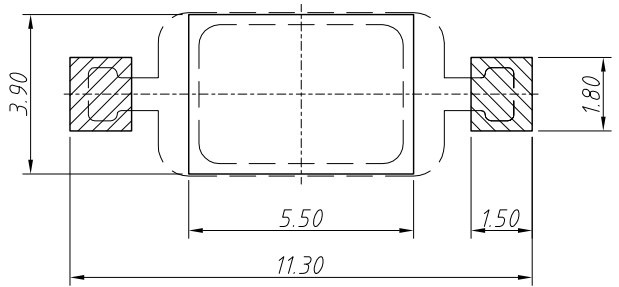
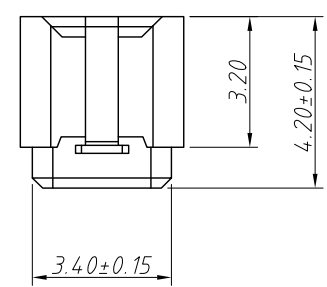
1  
RoHS Compliance

6		7		8	
REV	SYM	Revision Record		Appr.	Date
V0	KLS02056	New Version Release		WuHao	2024-11-25



Material:  
Housing:LCP,UL 94 V-0,Beige  
Contacts:Phosphor Bronze,Tin-Plated

Electric:  
Contact Resistance:20mΩ Max  
Insulation Resistance:1000MΩ Min  
Rated Voltage:275V AC DC  
Rated Current:1.0A AC DC  
Withstanding Voltage:1500V AC/minute  
Temperature Range:-40°C ~ + 120°C  
Poles:02  
Wire Range: φ0.46 ~ 0.6mm Single Strand  
Flexible Wire  
Strip Length:4.5 ~ 5.5 mm



Assembly Layout

Recommended PCB Layout  
Tolerance:±0.05mm

ANGLE TOLERANCE	PROJECTION	Description:	2.5mm Pitch 180° Wafer Smt Type ,Pecial Code
±3°			
GENERAL TOLERANCE	UNITS	mm	KLS P/N: L-KLS2-L115B
x. ±0.50	SHEET SIZE	A4	
.x ±0.30	Draw:	WuHao	2024-11-25
.xx ±0.20	Check:	Daniel	2024-11-25

