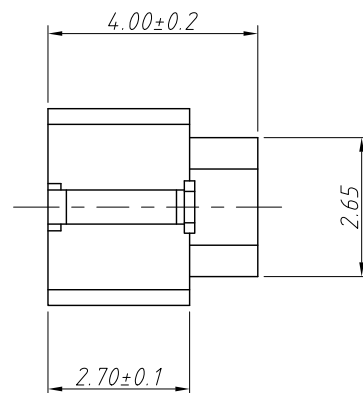
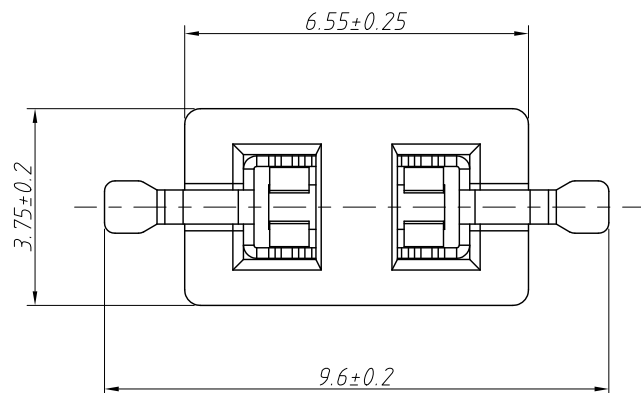


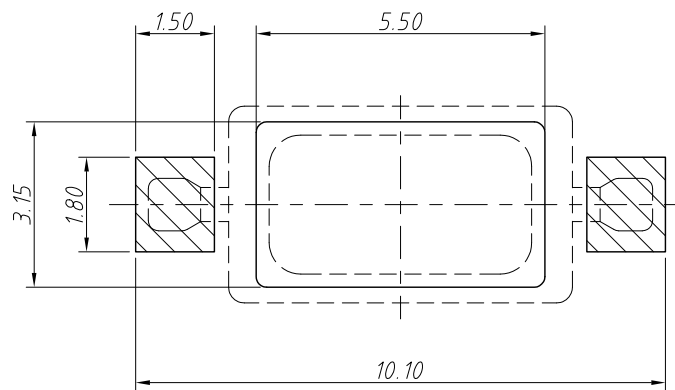
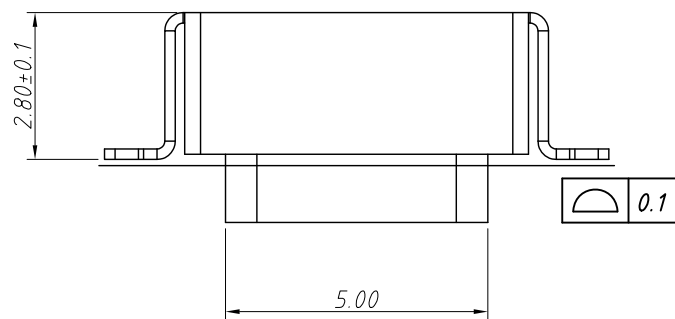
1 RoHS Compliance

REV	SYM	Revision Record	Appr.	Date
V0	KLS02056	New Version Release	WuHao	2024-11-25

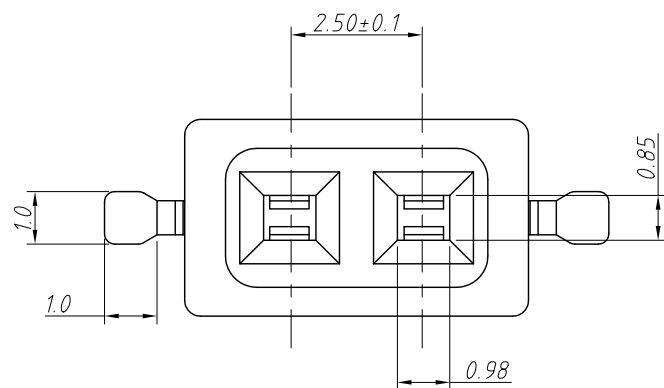
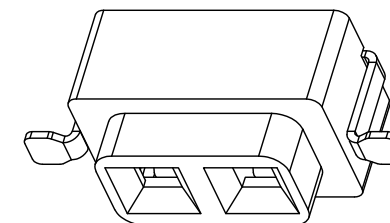


Material:
 Housing:LCP,UL 94 V-0,Beige
 Contacts:Phosphor Bronze,Tin-Plated

Electric:
 Contact Resistance:20mΩ Max
 Insulation Resistance:800MΩ Min
 Rated Voltage:250V AC DC
 Rated Current:1.0A AC DC
 Withstanding Voltage:800V AC/minute
 Temperature Range:-25°C ~ + 105°C
 Poles:02



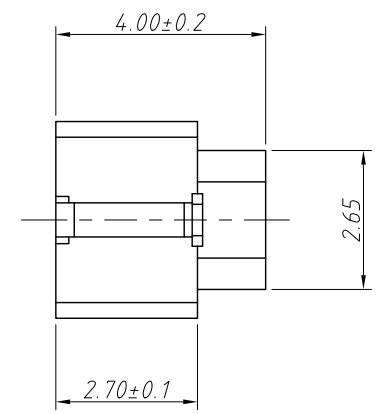
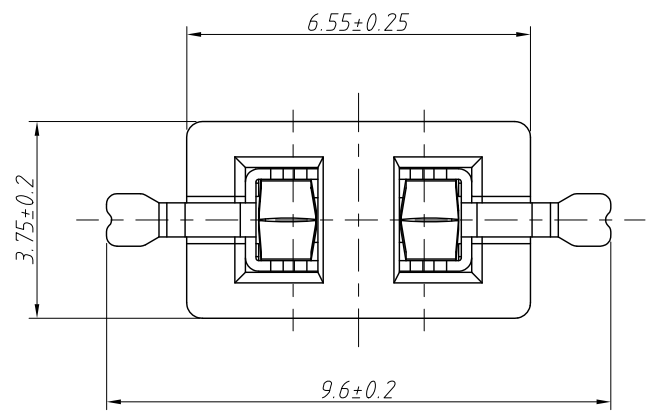
Recommended PCB Layout
 Tolerance:±0.05mm



ANGLE TOLERANCE	PROJECTION	Description:	Led bulb connector	
±3°				
GENERAL TOLERANCE	UNITS	mm	KLS P/N:	L-KLS2-L102
x. ±0.50	SHEET SIZE	A4		
.x ±0.30	Draw:	WuHao	2024-11-25	NingBo KLS ELECTRONIC CO.,L TD.
.xx ±0.20	Check:	Daniel	2024-11-25	

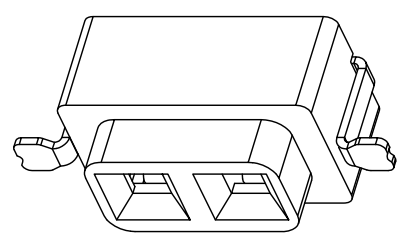
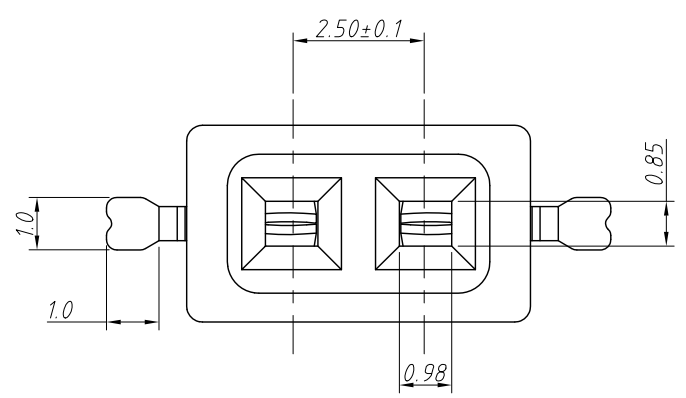
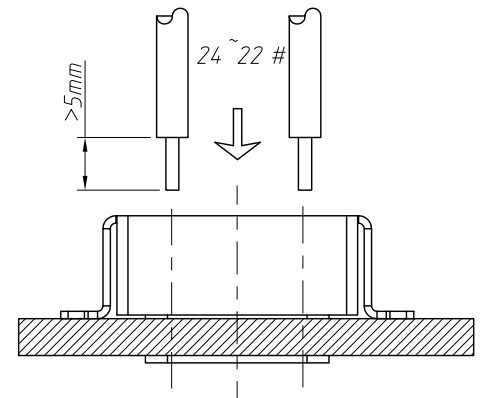
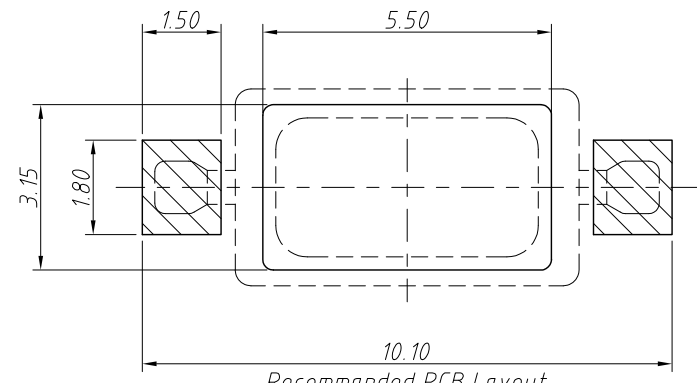
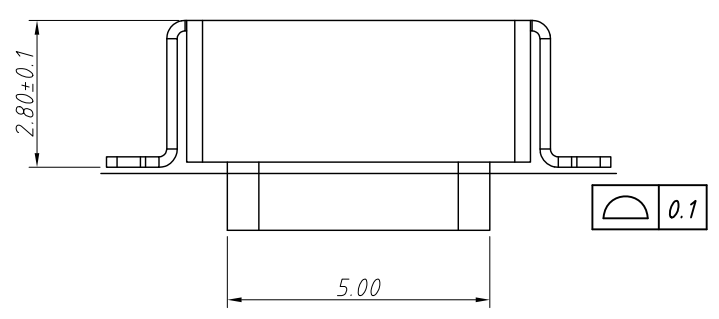
1
RoHS Compliance

7		8	
REV	SYM	Revision Record	Appr.
V0	KLS02056	New Version Release	WuHao
			Date
			2024-11-25



Material:
Housing:LCP,UL 94 V-0,Beige
Contacts:Phosphor Bronze,Tin-Plated

Electric:
Contact Resistance:20mΩ Max
Insulation Resistance:800MΩ Min
Rated Voltage:250V AC DC
Rated Current:1.0A AC DC
Withstanding Voltage:800V AC/minute
Temperature Range:-25°C ~ + 105°C
Poles:02



ANGLE TOLERANCE	PROJECTION	Description:	
±3°		Led bulb connecto,Wire Insertion	
GENERAL TOLERANCE	UNITS	mm	KLS P/N:
x. ±0.50	SHEET SIZE	A4	L-KLS2-L102B
.x ±0.30	Draw:	WuHao	2024-11-25
.xx ±0.20	Check:	Daniel	2024-11-25

