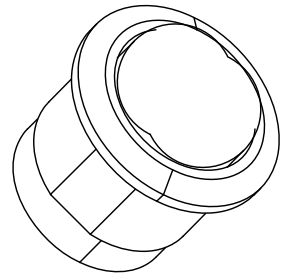
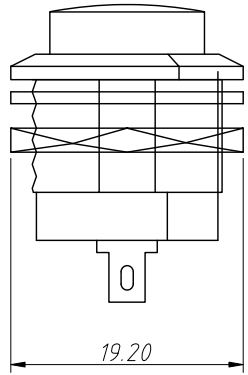


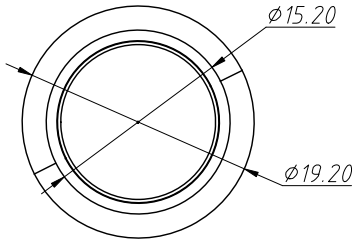
1
RoHS Compliance

6		7		8	
REV	SYM	Revision Record		Appr.	Date
V0	KLS07023	New Version Release		Song	2024-12-20



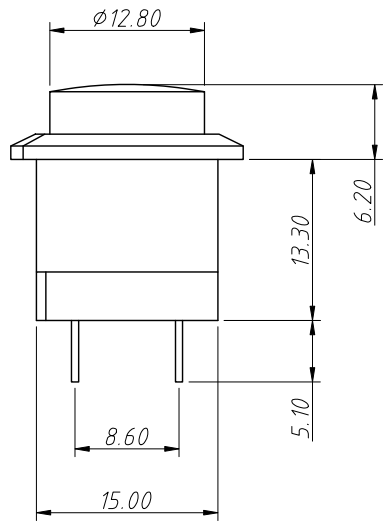
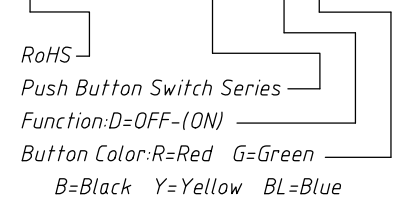
Material:
 Button ABS
 Housing: Flame retardant PA66
 Base: PC

Electric:
 Rating: AC250V/50HZ DC
 Operation type: self recovery/self-locking



Order Information

L-KLS7-PBS-047D-R



ANGLE TOLERANCE	PROJECTION	Description: Push Button Switch			
±3°					
GENERAL TOLERANCE	UNITS	mm	KLS P/N: L-KLS7-PBS-047D-X		
.x ±0.30	SHEET SIZE	A4			
.xx ±0.20	Draw:	Song	2024-12-20	NingBo KLS ELECTRONIC CO.,LTD.	
.xxx ±0.10	Check:	Daniel	2024-12-20		