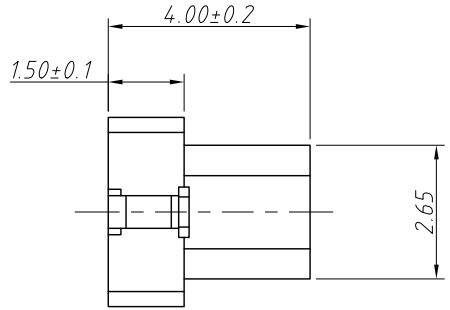
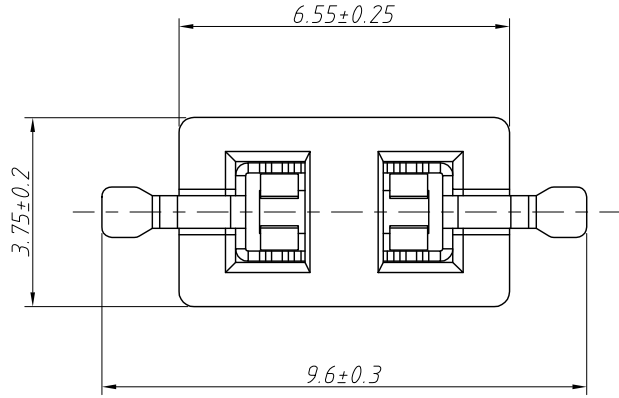


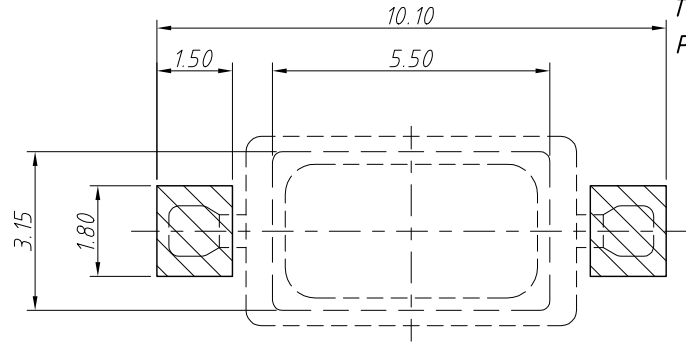
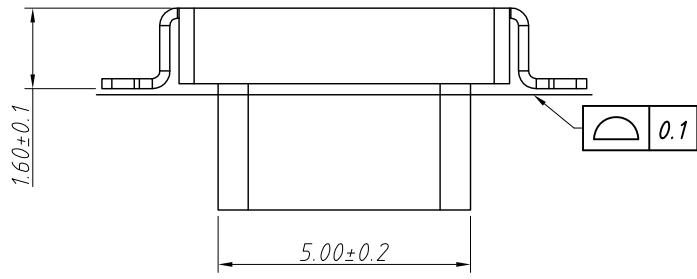
1  
RoHS Compliance

2		3		4		5		6		7		8	
REV	SYM	Revision Record		Appr.	Date								
V0	KLS02056	New Version Release		WuHao	2024-11-25								

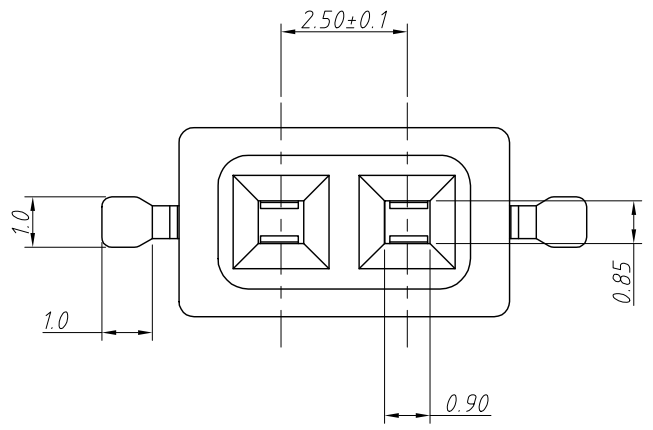
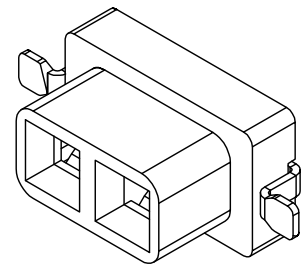


**Material:**  
 Housing:LCP,UL 94V-0,Beige  
 Contacts:Phosphor Bronze,Tin-Plated

**Electric:**  
 Contact Resistance:30mΩ Max  
 Insulation Resistance:1000MΩ Min  
 Rated Voltage:250V AC DC  
 Rated Current:1.0A AC DC  
 Withstanding Voltage:500V AC/minute  
 Temperature Range:-4.0°C ~ + 110°C  
 Poles:02



Recommended PCB Layout  
 Tolerance:±0.05mm

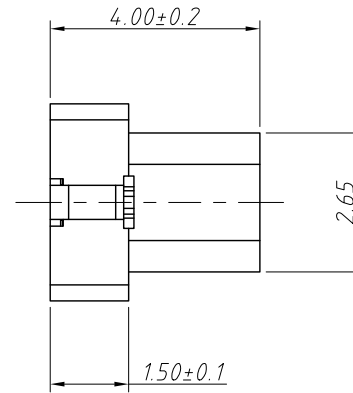
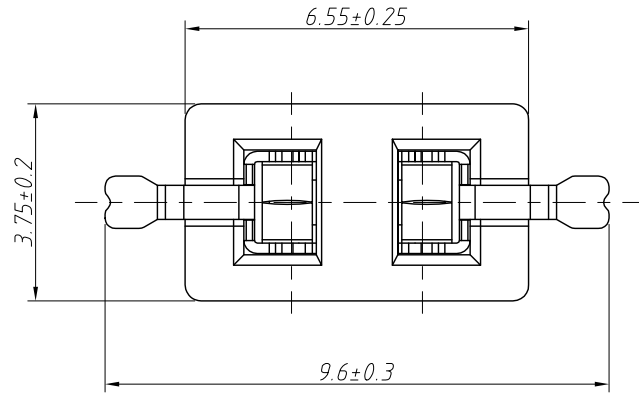


ANGLE TOLERANCE		PROJECTION		Description:	
±3°				Led bulb connector,Pitch 2.0mm,	
GENERAL TOLERANCE		UNITS	mm	KLS P/N:	
x.	±0.50	SHEET SIZE	A4	L-KLS2-L122	
.x	±0.30	Draw:	WuHao	2024-11-25	
.xx	±0.20	Check:	Daniel	2024-11-25	

**NingBo KLS ELECTRONIC CO.,L TD.**

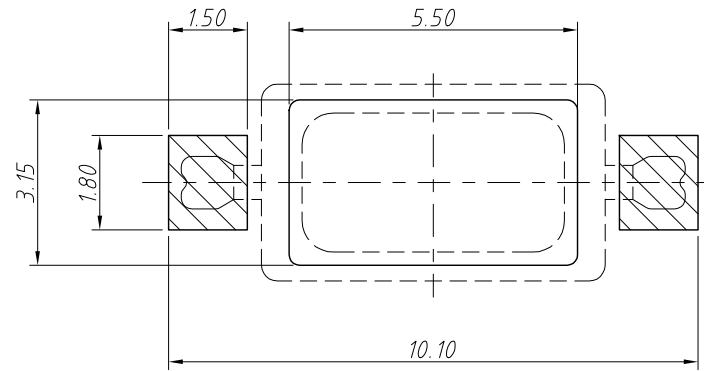
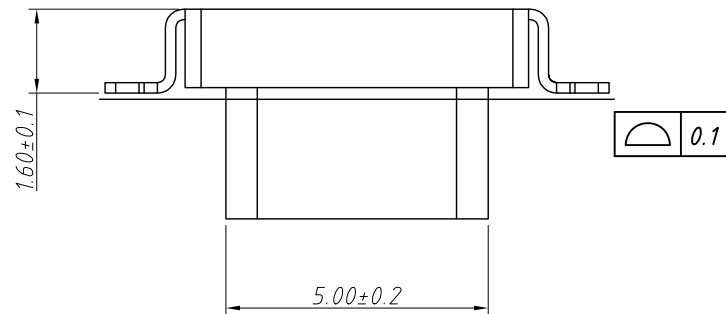
RoHS Compliance

REV	SYM	Revision Record	Appr.	Date
V0	KLS02056	New Version Release	WuHao	2024-11-25

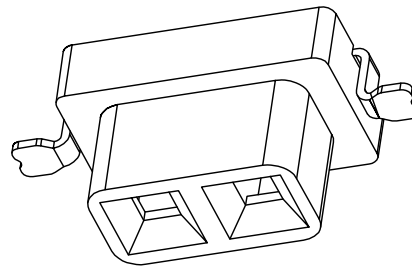
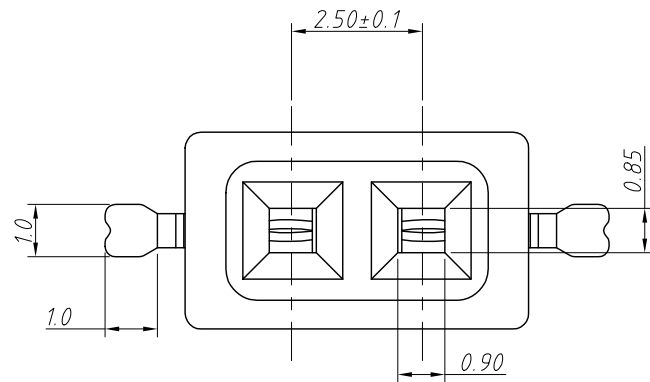
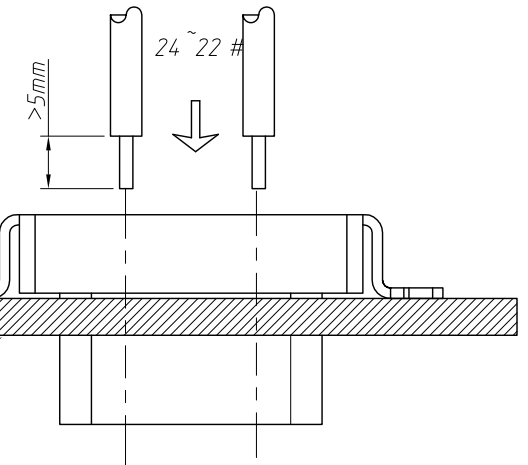


**Material:**  
 Housing:LCP,UL 94V-0,Beige  
 Contacts:Phosphor Bronze,Tin-Plated

**Electric:**  
 Contact Resistance:30mΩ Max  
 Insulation Resistance:1000MΩ Min  
 Rated Voltage:250V AC DC  
 Rated Current:1.0A AC DC  
 Withstanding Voltage:500V AC/minute  
 Temperature Range:-40°C ~ + 110°C  
 Poles:02



Recommended PCB Layout  
 Tolerance:±0.05mm



ANGLE TOLERANCE	PROJECTION	Description:
±3°		Led bulb connector, Pitch 2.0mm, Wire Insertion
GENERAL TOLERANCE	UNITS	mm
x. ±0.50	SHEET SIZE	A4
.x ±0.30	Draw:	WuHao 2024-11-25
.xx ±0.20	Check:	Daniel 2024-11-25
		KLS NingBo KLS ELECTRONIC CO.,L TD.

**KLS** NingBo KLS ELECTRONIC CO.,L TD.  
 L-KLS2-L122B