

1 RoHS Compliance

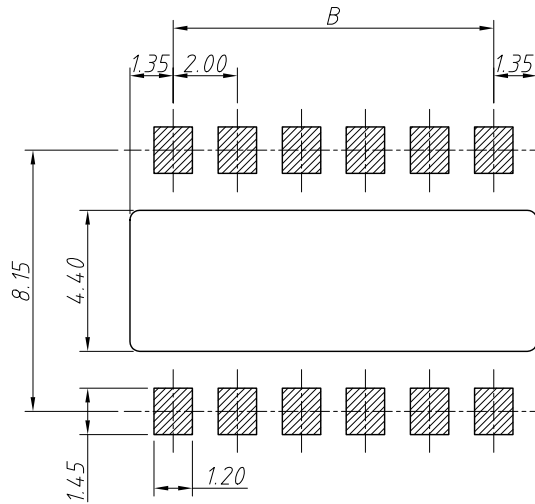
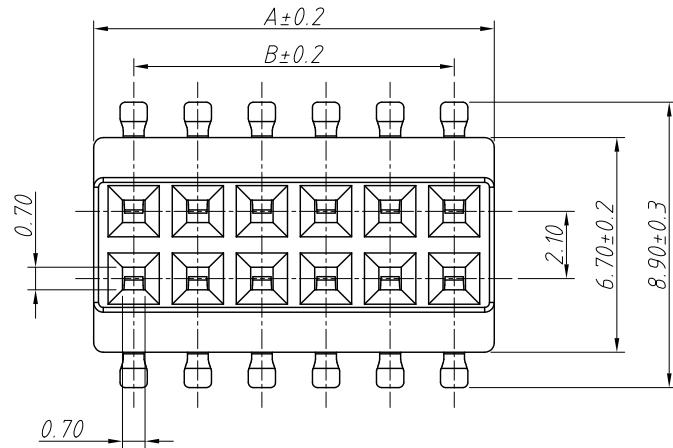
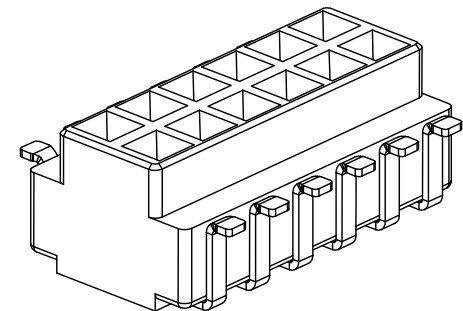
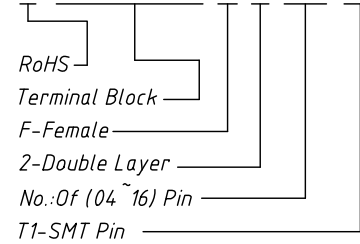
REV	SYM	Revision Record	Appr.	Date
V0	KLS02056	New Version Release	WuHao	2024-11-25

Material:  
 Housing:LCP,UL 94 V-0,Natural(Beige)  
 Contacts:Phosphor Bronze/Matte,Sn-Plated

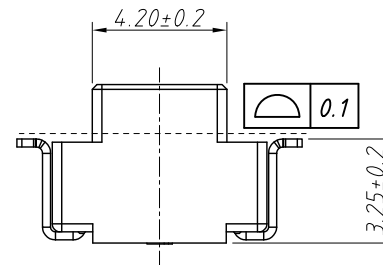
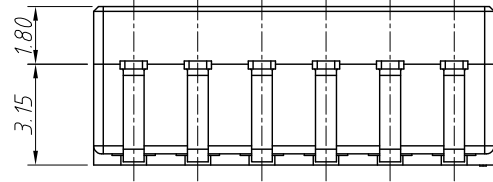
Electric:  
 Contact Resistance:60mΩ Max  
 Insulation Resistance:100MΩ Min  
 Rated Voltage:275V AC DC  
 Rated Current:1.0A AC DC  
 Withstanding Voltage:500V AC/minute  
 Temperature Range:-40°C ~ + 105°C

Order Information

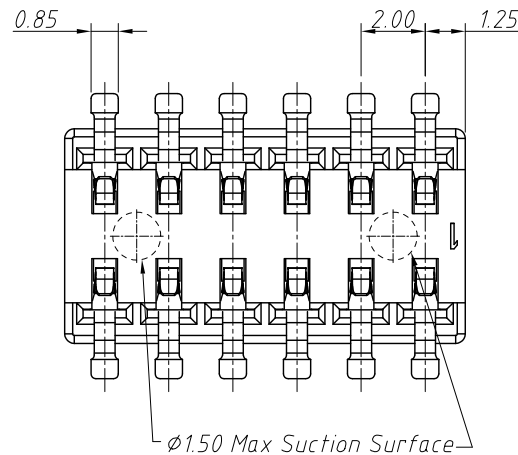
L-KLS2-L120-F-2-XX-T1



Recommended PCB Layout  
 Tolerance:±0.05mm



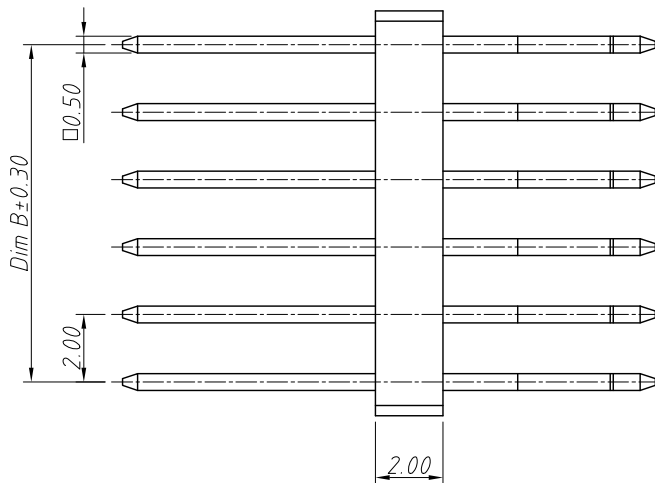
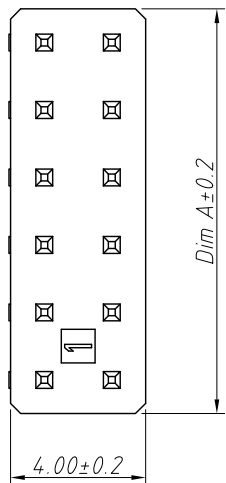
Pin	Dim A	Dim B
2×02	4.50	2.00
2×03	6.50	4.00
2×04	8.50	6.00
2×05	10.50	8.00
2×06	12.50	10.00
2×07	14.50	12.00
2×08	16.50	14.00



ANGLE TOLERANCE	PROJECTION	Description:	Led bulb connector,Pitch 2.0mm	
±3°				
GENERAL TOLERANCE	UNITS	mm	KLS P/N:	L-KLS2-L120-F-2-XX-T1
x. ±0.50	SHEET SIZE	A4		
.x ±0.30	Draw:	WuHao	2024-11-25	NingBo KLS ELECTRONIC CO.,L TD.
.xx ±0.20	Check:	Daniel	2024-11-25	

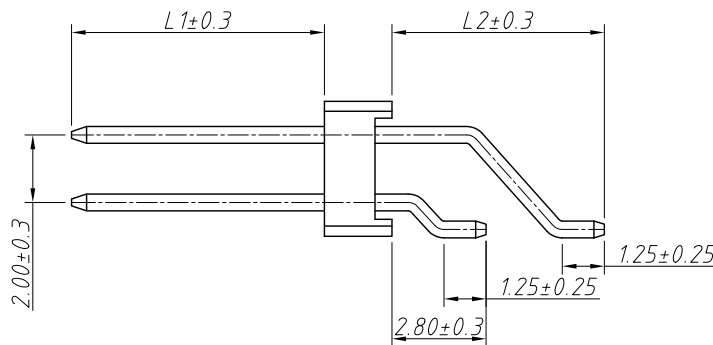
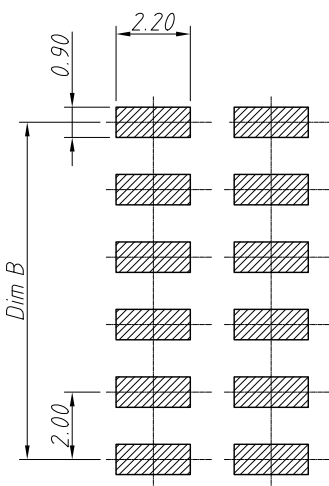
1 RoHS Compliance

REV	SYM	Revision Record	Appr.	Date
V0	KLS02056	New Version Release	WuHao	2024-11-29



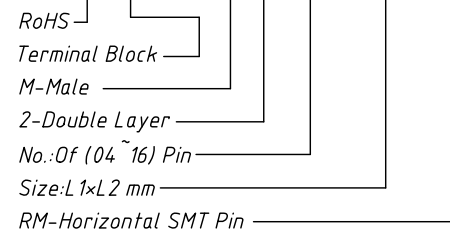
Material:  
 Housing:LCP,UL 94V-0,Natural (Beige)  
 Contacts:Brass/Matte,Sn-Plated

Electric:  
 Contact Resistance:60mΩ Max  
 Insulation Resistance:100MΩ Min  
 Rated Voltage:275V AC DC  
 Rated Current:1.0A AC DC  
 Withstanding Voltage:500V AC/minute  
 Temperature Range:-40°C ~ + 105°C



Order Information

L-KLS2-L 120-M-2-XX-L 1xL2-RM



Recommended PCB Layout  
 Tolerance:±0.05mm

Pin	Dim A	Dim B
2x02	4.00	2.00
2x03	6.00	4.00
2x04	8.00	6.00
2x05	10.00	8.00
2x06	12.00	10.00
2x07	14.00	12.00
2x08	16.00	14.00

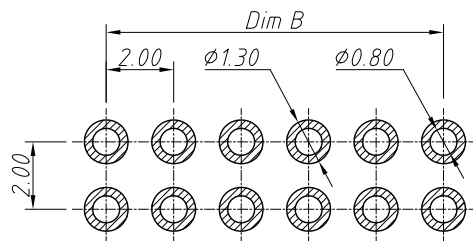
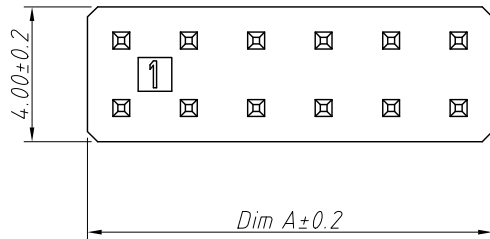
L1	L2	Plastic Height
10.00	6.30	2.00
5.50	6.30	2.00
7.50	6.30	2.00
6.00	6.30	2.00

ANGLE TOLERANCE	PROJECTION	Description:
±3°		Led bulb connector,Pitch 2.0mm
GENERAL TOLERANCE	UNITS	mm
x. ±0.50	SHEET SIZE	A4
.x ±0.30	Draw:	WuHao 2024-11-29
.xx ±0.20	Check:	Daniel 2024-11-29

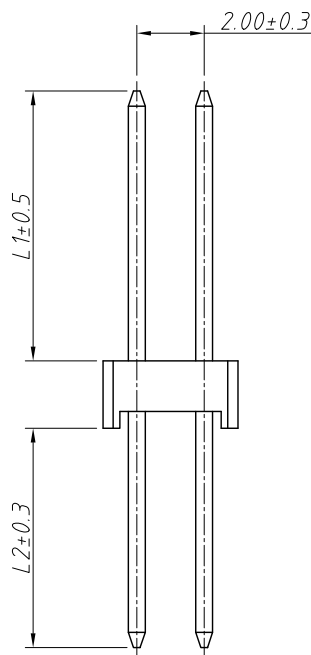
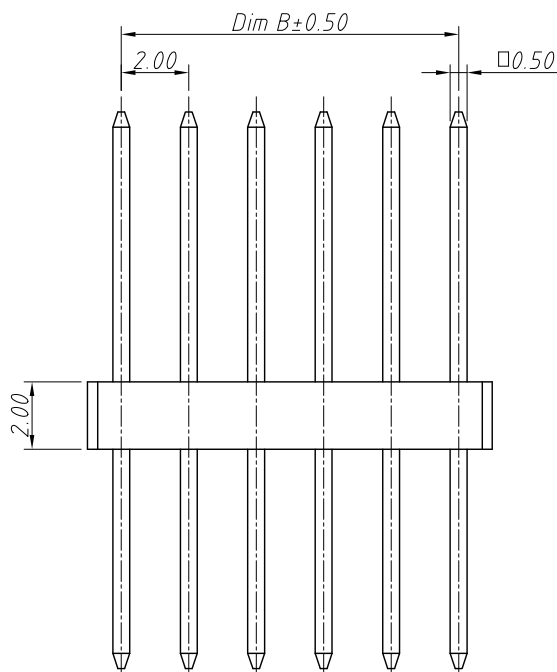
**KLS** NingBo KLS ELECTRONIC CO.,L TD.

1 RoHS Compliance

REV	SYM	Revision Record	Appr.	Date
V0	KLS02056	New Version Release	WuHao	2024-11-29



Recommended PCB Layout  
Tolerance: ±0.05mm



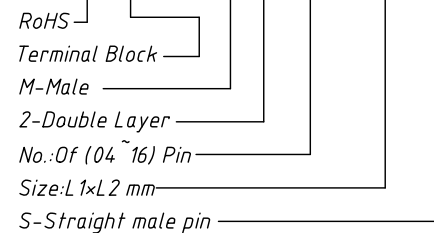
L1	L2	Plastic Height
14.00	3.00	2.00
13.00	5.00	2.00
10.00	3.50	2.00
10.00	2.50	2.00
8.00	5.00	2.00
8.50	4.00	2.00
8.00	6.50	2.00
11.50	3.50	2.00
9.50	5.50	2.00
7.50	7.50	2.00
11.00	4.00	2.00
14.50	2.00	2.00
7.00	2.00	2.00
6.00	9.00	2.00
8.20	2.80	2.00
13.00	4.50	2.00
9.50	5.00	2.00

Material:  
Housing: LCP, UL 94V-0, Natural (Beige)  
Contacts: Brass/Matte, Sn-Plated

Electric:  
Contact Resistance: 60mΩ Max  
Insulation Resistance: 100MΩ Min  
Rated Voltage: 275V AC DC  
Rated Current: 1.0A AC DC  
Withstanding Voltage: 500V AC/minute  
Temperature Range: -40°C ~ +105°C

Order Information

L-KLS2-L 120-M-2-XX-L 1xL2-S

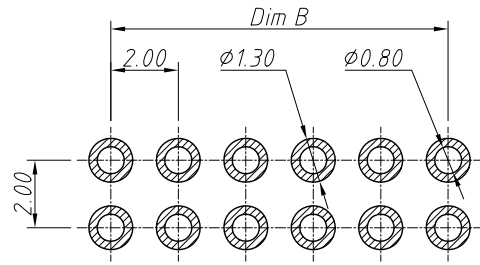
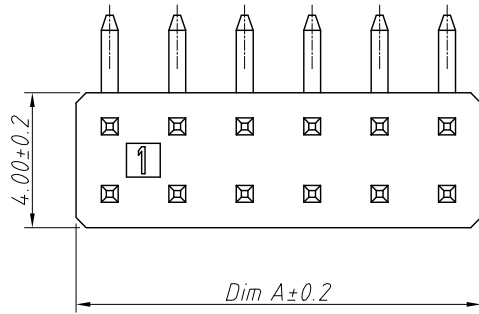


Pin	Dim A	Dim B
2x02	4.00	2.00
2x03	6.00	4.00
2x04	8.00	6.00
2x05	10.00	8.00
2x06	12.00	10.00
2x07	14.00	12.00
2x08	16.00	14.00

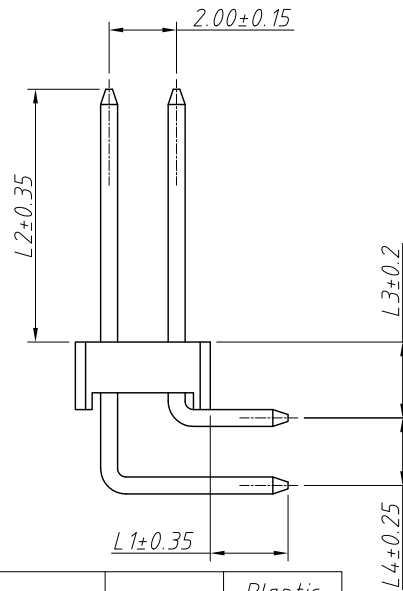
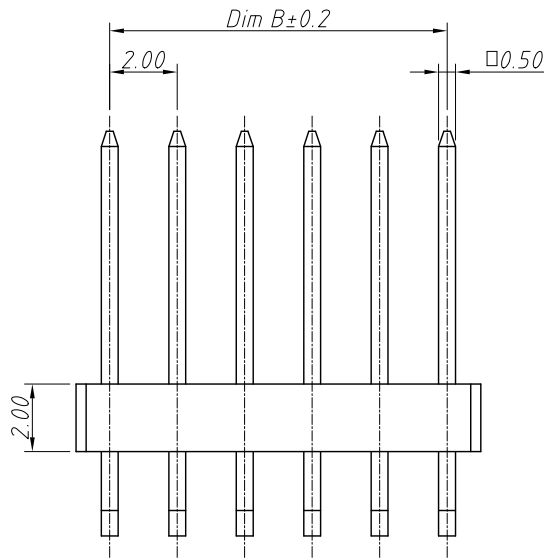
ANGLE TOLERANCE	PROJECTION	Description:
±3°		Led bulb connector, Pitch 2.0mm
GENERAL TOLERANCE	UNITS	mm
x. ±0.50	SHEET SIZE	A4
.x ±0.30	Draw:	WuHao 2024-11-29
.xx ±0.20	Check:	Daniel 2024-11-29
KLS P/N:		L-KLS2-L 120-M-2-XX-L 1xL2-S
KLS electronic		NingBo KLS ELECTRONIC CO., L TD.

1 RoHS Compliance

REV	SYM	Revision Record	Appr.	Date
V0	KLS02056	New Version Release	WuHao	2024-11-29



Recommended PCB Layout  
Tolerance: ±0.05mm



Material:

Housing: LCP, UL 94V-0, Natural (Beige)

Contacts: Brass/Matte, Sn-Plated

Electric:

Contact Resistance: 60mΩ Max

Insulation Resistance: 100MΩ Min

Rated Voltage: 275V AC DC

Rated Current: 1.0A AC DC

Withstanding Voltage: 500V AC/minute

Temperature Range: -40°C ~ +105°C

Order Information

L-KLS2-L120-M-2-XX-L1xL2xL3xL4-R

RoHS

Terminal Block

M-Male

2-Double Layer

No.: Of (04 ~ 16) Pin

Size: L1xL2xL3xL4 mm

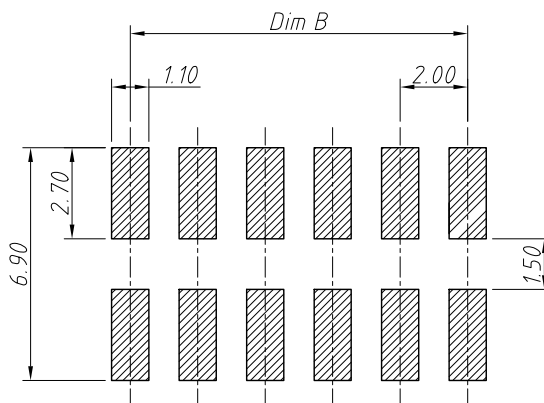
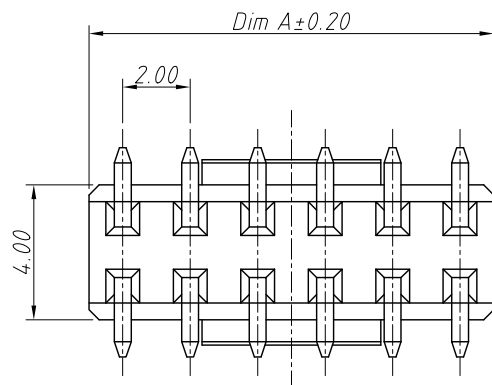
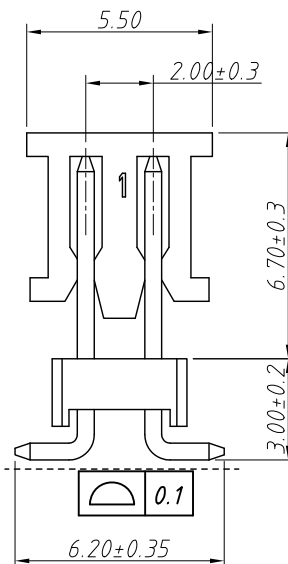
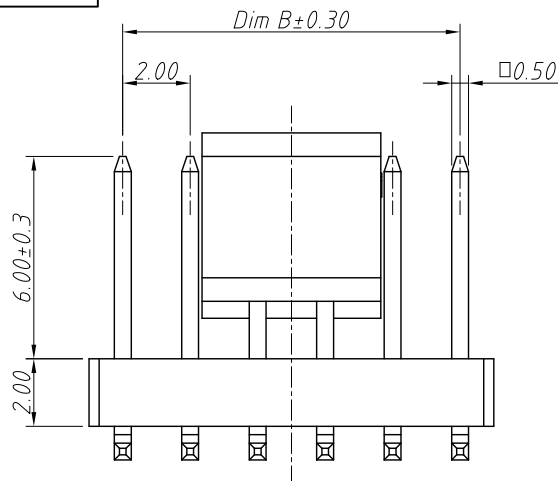
R-Right angle male pin

Pin	Dim A	Dim B	L1	L2	L3	L4	Plastic Height
2x02	4.00	2.00	2.30	9.00	2.25000	2.00000	2.00
2x03	6.00	4.00	2.30	10.00	2.25000	2.00000	2.00
2x04	8.00	6.00	2.30	7.50	2.25000	2.00000	2.00
2x05	10.00	8.00	2.30	9.00	2.25000	2.00000	2.00
2x06	12.00	10.00	3.00	6.00	2.20	2.50	2.00
2x07	14.00	12.00	2.00	7.80	2.20	2.50	2.00
2x08	16.00	14.00	2.30	8.00	2.25000	2.00000	2.00

ANGLE TOLERANCE	PROJECTION	Description:
±3°		Led bulb connector, Pitch 2.0mm
GENERAL TOLERANCE	UNITS	mm
x. ±0.50	SHEET SIZE	A4
.x ±0.30	Draw:	WuHao 2024-11-29
.xx ±0.20	Check:	Daniel 2024-11-29
KLS ELECTRONIC		NingBo KLS ELECTRONIC CO., L TD.

RoHS Compliance

REV	SYM	Revision Record	Appr.	Date
V0	KLS02056	New Version Release	WuHao	2024-11-29



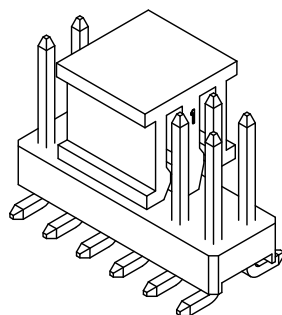
Material:  
Housing:LCP,UL 94V-0,Natural (Beige)  
Contacts:Brass/Matte,Sn-Plated

Electric:  
Contact Resistance:60mΩ Max  
Insulation Resistance:100MΩ Min  
Rated Voltage:275V AC DC  
Rated Current:1.0A AC DC  
Withstanding Voltage:500V AC/minute  
Temperature Range:-40°C ~ +105°C

Order Information  
L-KLS2-L120-M-2-XX-VM

RoHS  
Terminal Block  
M-Male  
2-Double Layer  
No.:Of (04 ~ 16) Pin  
VM-Vertical SMT Pin

Recommended PCB Layout  
Tolerance:±0.05mm



Pin	Dim A	Dim B
2×02	4.00	2.00
2×03	6.00	4.00
2×04	8.00	6.00
2×05	10.00	8.00
2×06	12.00	10.00
2×07	14.00	12.00
2×08	16.00	14.00

ANGLE TOLERANCE	PROJECTION	Description:
±3°		Led bulb connector,Pitch 2.0mm
GENERAL TOLERANCE	UNITS	mm
x. ±0.50	SHEET SIZE	A4
.x ±0.30	Draw:	WuHao 2024-11-29
.xx ±0.20	Check:	Daniel 2024-11-29
KLS ELECTRONIC		NingBo KLS ELECTRONIC CO.,LTD.