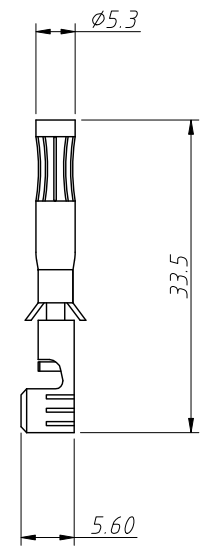
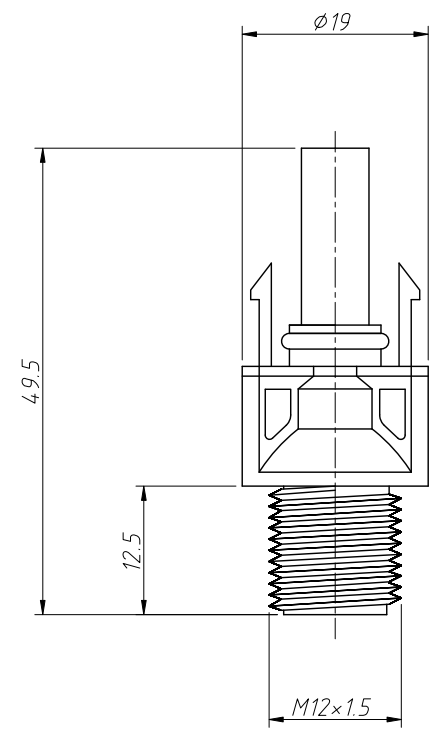


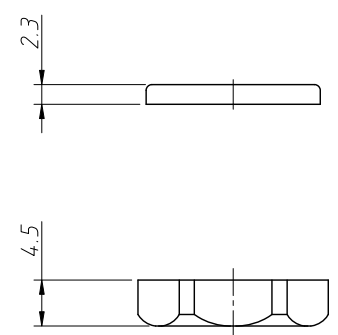
1  
RoHS Compliance

6		7		8	
REV	SYM	Revision Record		Appr.	Date
V0	KLS15035	New Version Release		Song	2024-12-26



Material:  
Body:PC,UL94V-0  
Terminal:Copper Alloy,Tin Plated

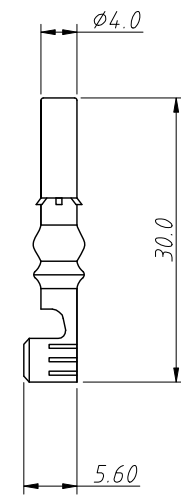
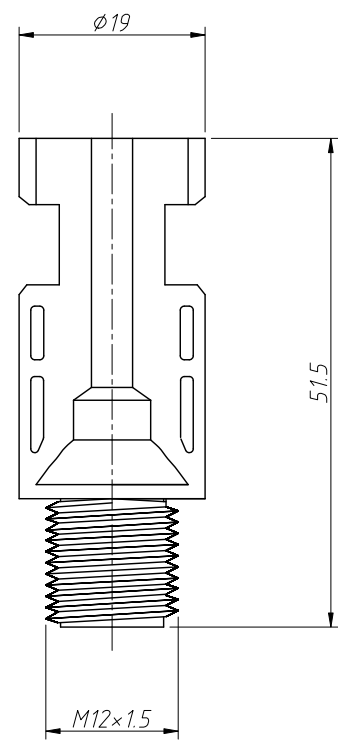
Electric:  
Rated Voltage: 1000V DC  
Rated Current:30A (2.5mm<sup>2</sup>,4mm<sup>2</sup>, 6mm<sup>2</sup>,  
14AWG,12AWG,10AWG)  
4.5A (4mm<sup>2</sup>, 6mm<sup>2</sup>, 12AWG,10AWG)  
Test Voltage: 6kV (50HZ, 1min)  
Temperature Range:- 40°C~+90°C(IEC)  
-40°C~+75°C(UL)  
Temperature Upper Limit:+ 105°C (IEC)  
Protection Level: IP67  
Contact Resistance: 0.5mΩ



ANGLE TOLERANCE	PROJECTION	Description:			
±3°		Plastic Circular Connector			
GENERAL TOLERANCE	UNITS	mm	KLS P/N:	L-KLS1-MC4-1KV3A-M	
.x ±0.30	SHEET SIZE	A4			
.xx ±0.20	Draw:	Song	2024-12-26	NingBo KLS ELECTRONIC CO.,L TD.	
.xxx ±0.10	Check:	Daniel	2024-12-26		

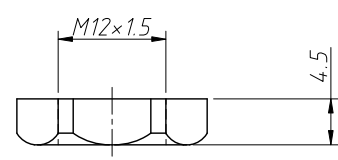
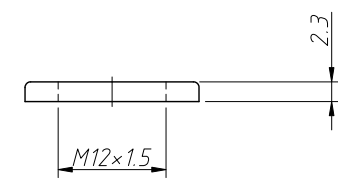
1  
RoHS Compliance

6		7		8	
REV	SYM	Revision Record		Appr.	Date
V0	KLS15035	New Version Release		Song	2024-12-26



Material:  
Body:PC,UL94V-0  
Terminal:Copper Alloy,Tin Plated

Electric:  
Rated Voltage: 1000V DC  
Rated Current:30A (2.5mm<sup>2</sup>,4mm<sup>2</sup>, 6mm<sup>2</sup>,  
14AWG,12AWG,10AWG)  
4.5A (4mm<sup>2</sup>, 6mm<sup>2</sup>, 12AWG,10AWG)  
Test Voltage: 6kV (50HZ, 1min)  
Temperature Range:- 40°C~+90°C(IEC)  
-40°C~+75°C(UL)  
Temperature Upper Limit:+ 105°C (IEC)  
Protection Level: IP67  
Contact Resistance: 0.5mΩ



ANGLE TOLERANCE	PROJECTION	Description:			
±3°		Plastic Circular Connector			
GENERAL TOLERANCE	UNITS	mm	KLS P/N:	L-KLS1-MC4-1KV3A-F	
.x ±0.30	SHEET SIZE	A4			
.xx ±0.20	Draw:	Song	2024-12-26	NingBo KLS ELECTRONIC CO.,L TD.	
.xxx ±0.10	Check:	Daniel	2024-12-26		