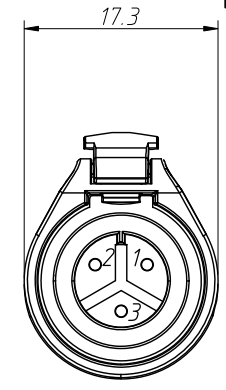
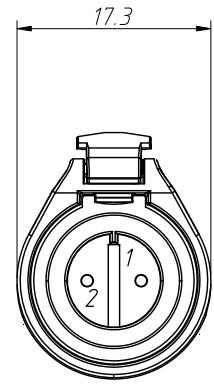
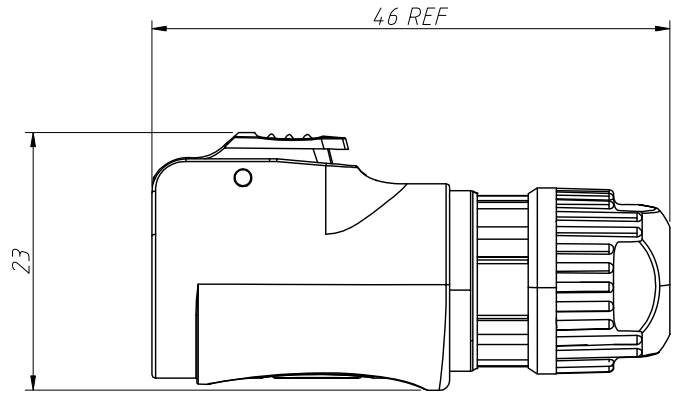


1
RoHS Compliance

7		8		
REV	SYM	Revision Record	Appr.	Date
V0	KLS15032	New Version Release	Song	2024-07-26



02 Pin

03 Pin

Order Information

L-KLS15-200A-LP12-02 F1

RoHS

XX: Number Of XX Pins

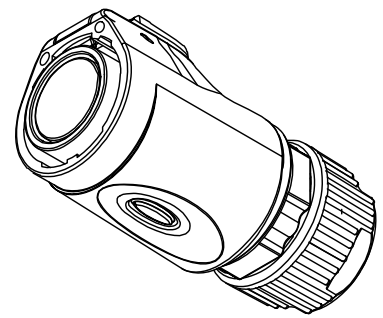
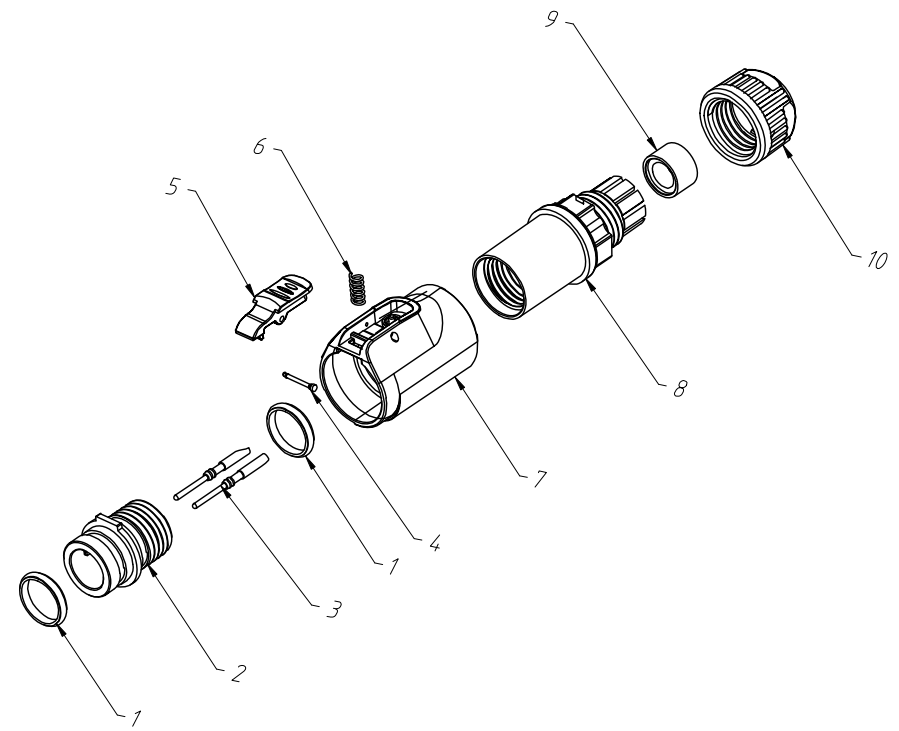
F1: Male Plug

Material:

- 1. Waterproof sealing ring: silicagel
- 2. Metal protector: PBT
- 3. Conductors of electricity: Brass
- 4. Bolt: Stainless steel
- 5. Metal keys: Zinc Alloy
- 6. Spring: Manganese Steel
- 7. Housing: PBT
- 8. Posterior Shell Of Screw: PBT
- 9. Waterproof Sealing Ring: silica gel
- 10. Nut: PBT

Electrical:

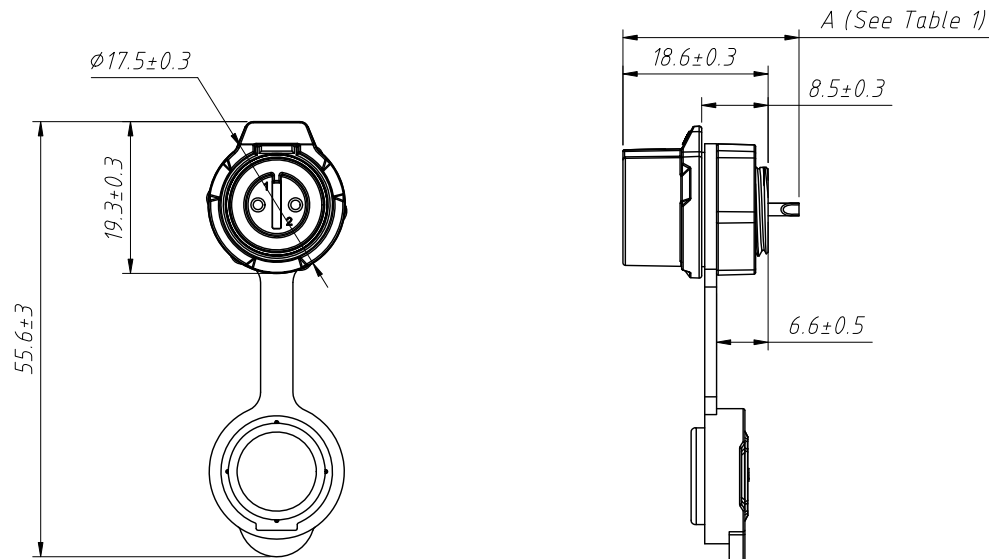
- Rated Current: 5A
- Rated Voltage: 125V
- Protection Class: IP67(docking)
- Copper Needle Category: Male needle
- Number of cores: 2P, 3P
- Wire Method: Lock Screws



ANGLE TOLERANCE	PROJECTION	Description:	Plastic Circular Power Connectors Male Plug	
±3°				
GENERAL TOLERANCE	UNITS	mm	KLS P/N:	L-KLS15-200A-LP12-XXF1
.x ±0.20	SHEET SIZE	A4		
.x ±0.05	Draw:	Song	2024-07-26	NingBo KLS ELECTRONIC CO.,L TD.
.xx ±0.05	Check:	Daniel	2024-07-26	

1 RoHS Compliance

REV	SYM	Revision Record	Appr.	Date
V0	KLS01256	New Version Release	WuHao	2024-11-19
Electrical		02~06 P Femals/Male	07~08 P Femals/Male	
Rated Voltage		125V AC	100V AC	
Rated Current		5A	3A	
Withstand Voltage		AC1500V Max	1000AV Max	
Wire Range		0.34~0.5mm ² /22~20AWG	0.25~0.34mm ² /24~22AWG	



Material:

Insulation Components: High performance engineering plastics

Flame Retardant grade: UL94-V0

Hardware: Zinc Alloy, Nickel Plating

PIN: Copper Alloy, Gold Plating

Waterproof Circle: Silica Gel

Electrical Characteristics:

Contact Resistance: 5mΩ Max

Insulation Resistance: 500MΩ Min

Terminal Type: Welding

Protection Class: IP68

Operating Cycles: 500 times Min

Tightening torque: 0.8N.m

Operating temperature: -25°C ~ +85°C (Standard Plastic)

-40°C ~ +85°C (Custom Plastic)

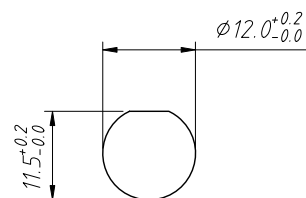
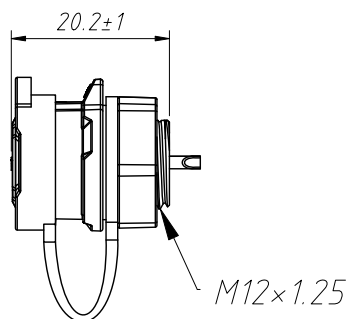
Order Information

L-KLS15-200A-LP12-02 M1

RoHS

Number of 02~08 pins

M1: Female socket



Mounting hole size
Recommended Thickness Of
Mounting Plate: 1.5mm Max

ANGLE TOLERANCE	PROJECTION	Description:
±3°		M12 Plastic Circular Connectors, IP68
GENERAL TOLERANCE	UNITS	mm
x.x ±0.30	SHEET SIZE	A4
x.xx ±0.20	Draw:	WuHao 2024-11-19
x.xxx ±0.10	Check:	Daniel 2024-11-19



NingBo KLS ELECTRONIC CO., L TD.

REV	SYM	Revision Record	Appr.	Date
V0	KLS01256	New Version Release	WuHao	2024-11-19

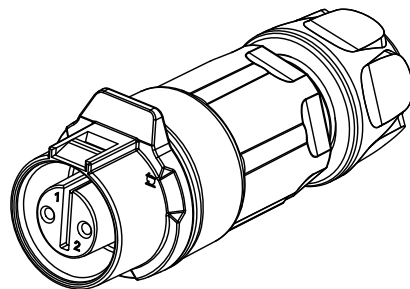
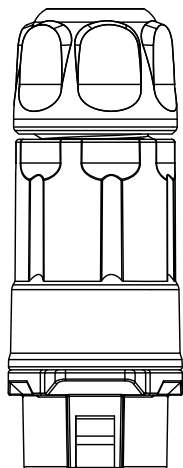
Table 1:A Length

	2P	3P	4P	5P	6P	7P	8P
Female							
A	22.5	22.5	22.5	22.5	24.5	24.5	24.5
Male							
A	23.5	23.5	23.5	22.3	24.3	24.3	24.3

ANGLE TOLERANCE	PROJECTION	Description:		
±3°		M12 Plastic Circular Connectors, IP68		
GENERAL TOLERANCE	UNITS	mm	KLS P/N: L-KLS15-200A-LP12-02M1	
x.x ±0.30	SHEET SIZE	A4	NingBo KLS ELECTRONIC CO.,L TD.	
x.xx ±0.20	Draw:	WuHao		2024-11-19
x.xxx ±0.10	Check:	Daniel		2024-11-19

1 RoHS Compliance

REV	SYM	Revision Record	Appr.	Date
V0	KLS01256	New Version Release	WuHao	2024-11-19

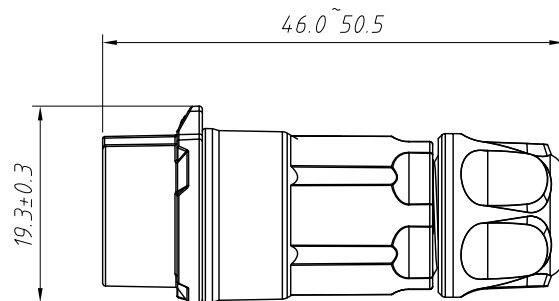
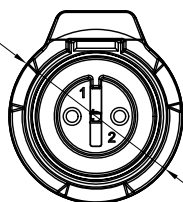


Electrical	2~6 P Femals/Male	7~8 P Femals/Male
Rated Voltage	125V AC	100V AC
Rated Current	5A	3A
Withstand Voltage	AC1500V Max	AC1000V Max
Wire Range	0.34~0.5mm ² /22~20AWG	0.25~0.34mm ² /24~22AWG

Material:

Waterproof Sealing Ring:Silica Gel Metal Protector:PBT
 Conductors Of Electricity:Brass Bolt:Stainless Steel
 Metal Keys:Zinc Alloy Spring:Stainless Steel
 Housing Shell:PBT Posterior Shell Of Screw:PBT
 Waterproof Sealiing Ring:Silica Gel Nut:PBT

∅17.5±0.3



Electrical Characteristics:

Contact Resistance:5mΩ Max
 Insulation Resistance:500MΩ Min
 Terminal Type:Welding
 Protection Class:IP68
 Operating Cycles:500 times Min
 Tightening torque:0.8N.m
 Operating temperature:-25°C~+85°C (Standard Plastic)
 -40°C~+85°C (Custom Plastic)

Order Information

L-KLS15-200A-LP12-02 T1

RoHS

XX: Number Of XX Pins

M1: Docking female plug

	2芯	3芯	4芯	5芯	6芯	7芯	8芯
Female							
Male							

ANGLE TOLERANCE	PROJECTION	Description:
±3°		M12 Plastic Circular Connectors,IP68
GENERAL TOLERANCE	UNITS	mm
x.x ±0.30	SHEET SIZE	A4
x.xx ±0.20	Draw:	WuHao 2024-11-19
x.xxx ±0.10	Check:	Daniel 2024-11-19
		KLS NingBo KLS ELECTRONIC CO.,L TD.



NingBo KLS ELECTRONIC CO.,L TD.