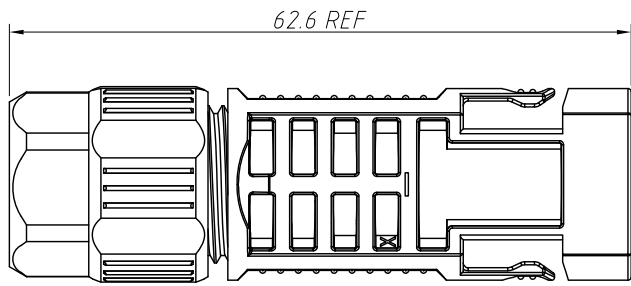


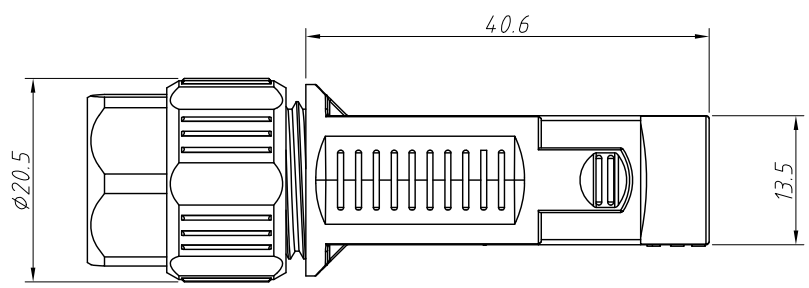
1
RoHS Compliance

6	7	8
REV	SYM	Revision Record
V0	KLS33029	New Version Release
		Appr.
		WuHao
		Date
		2024-12-30

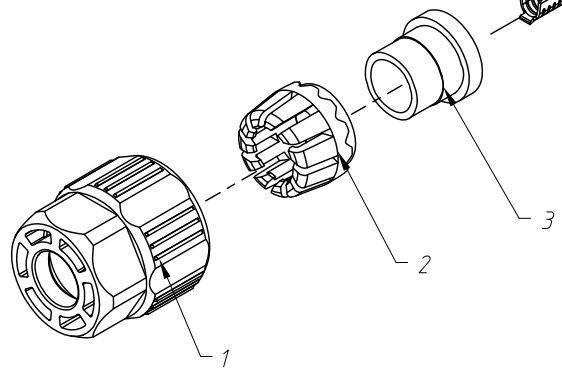
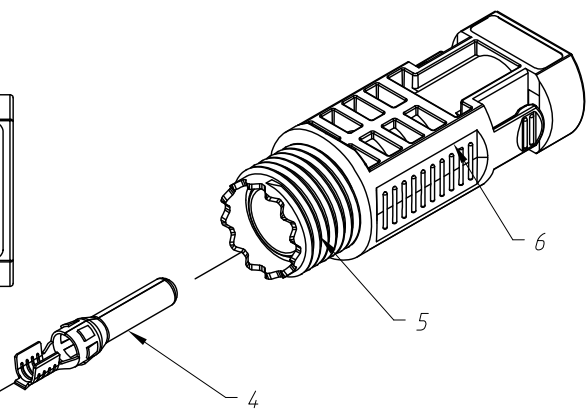
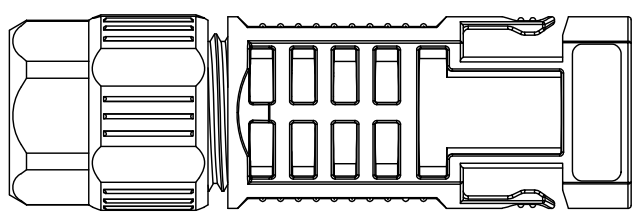


Electrical Characteristics	UL	IEC
Rated Current	30A	45A
Wire Range	10 AWG	6mm ²

- Material:**
- 1.Nut:PPO,Black
 - 2.Clamp:PA,Black
 - 3.Rubber Ring:Silicone Rubber,White
 - 4.Stamped Terminals:Copper Alloy,Tin Plated
 - 5.Housing:PPO,Black
 - 6.Fixed Clasp:Stainless Steel



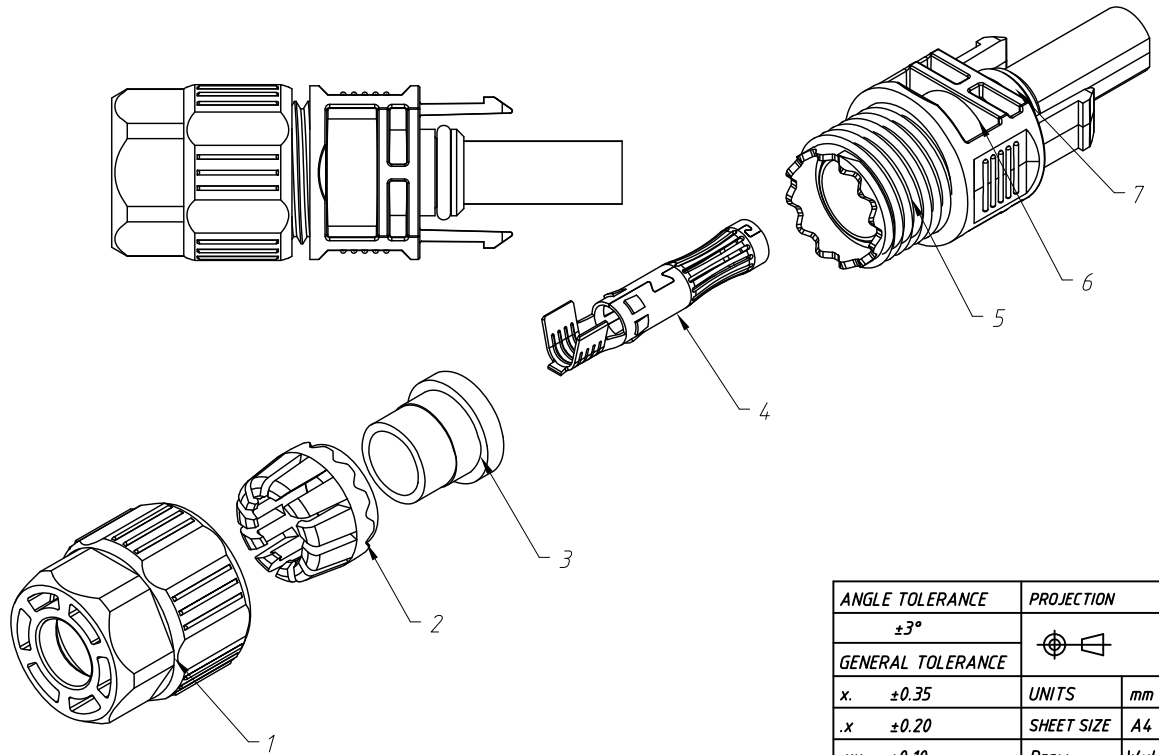
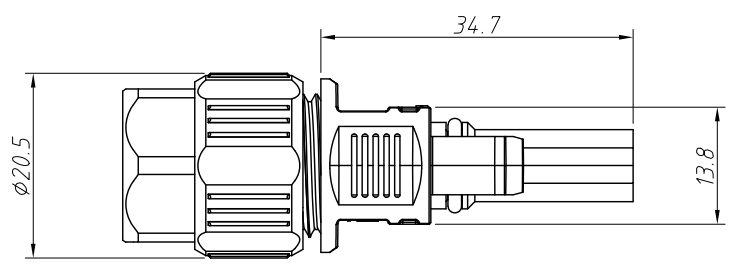
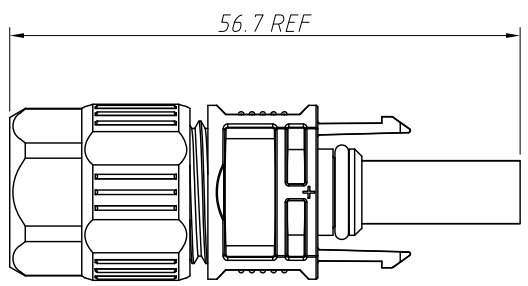
- Electric:**
- Contact Resistance:0.5mΩ Max
 - Rated voltage:1500V DC
 - Withstanding Voltage:8000V DC
 - Flame Retardant Rating:94 V-0
 - Operation Temperature:-40°C ~ +85°C
 - Plug And Pull Life:100 Cycles Min
 - Protection Grade:IP68 (1M,24H)



ANGLE TOLERANCE	PROJECTION	Description:
±3°		Plastic Circular Connector
GENERAL TOLERANCE		
x. ±0.35	UNITS	mm
.x ±0.20	SHEET SIZE	A4
.xx ±0.10	Draw:	WuHao 2024-12-30
.xxx ±0.05	Check:	Daniel 2024-12-30
		KLS P/N: L-KLS1-MC4-1KV2B-M
		NingBo KLS ELECTRONIC CO.,LTD.

1
RoHS Compliance

6	7	8
REV	SYM	Revision Record
V0	KLS33029	New Version Release
		Appr.
		WuHao
		Date
		2024-12-30



Electrical Characteristics	UL	IEC
Rated Current	30A	45A
Wire Range	10 AWG	6mm ²

- Material:**
- 1.Nut:PPO,Black
 - 2.Clamp:PA,Black
 - 3.Rubber Ring:Silicone Rubber,White
 - 4.Stamped Terminals:Copper Alloy,Tin Plated
 - 5.Housing:PPO,Black
 - 6.Fixed Clasp:Stainless Steel
 - 7.O-Ring:Silicone Rubber,White

- Electric:**
- Contact Resistance:0.5mΩ Max
 - Rated voltage:1500V DC
 - Withstanding Voltage:8000V DC
 - Flame Retardant Rating:94 V-0
 - Operation Temperature:-40°C ~ +85°C
 - Plug And Pull Life:100 Cycles Min
 - Protection Grade:IP68 (1M,24H)

ANGLE TOLERANCE	PROJECTION	Description:
±3°		Plastic Circular Connector
GENERAL TOLERANCE		
.x ±0.35	UNITS	mm
.x ±0.20	SHEET SIZE	A4
.xx ±0.10	Draw:	WuHao 2024-12-30
.xxx ±0.05	Check:	Daniel 2024-12-30
		KLS NingBo KLS ELECTRONIC CO.,LTD.

