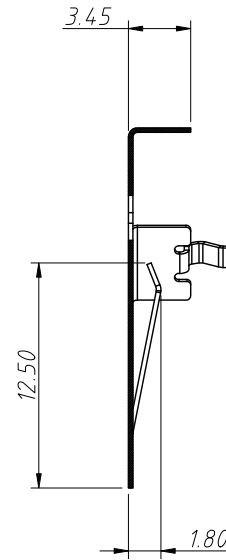
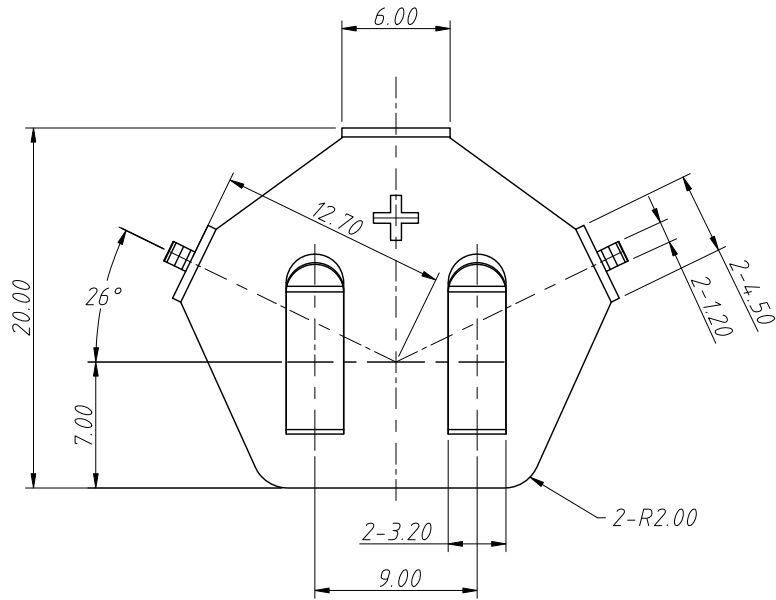
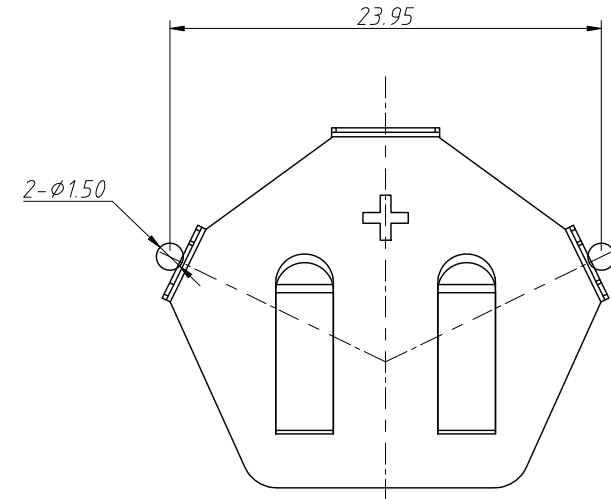


1 RoHS Compliance

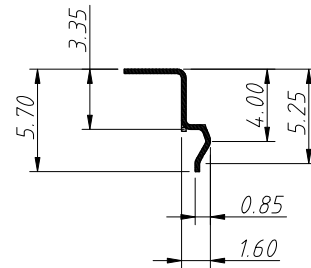
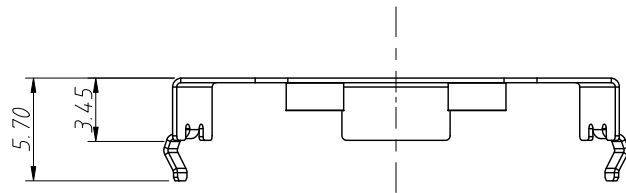
| | | | | |
|-----|----------|---------------------|-------|------------|
| REV | SYM | Revision Record | Appr. | Date |
| V0 | KLS05047 | New Version Release | Song | 2024-10-30 |



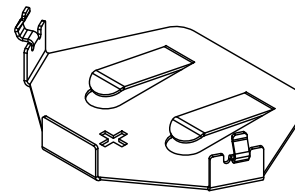
SECTION A-A



Recommended PCB Layout
Tolerance: ±0.05mm



SECTION B-B



Material:

Terminal: Phosphor Bronze, Ni Plating

Technical requirements:

1. Cutting section burr height $\leq 0.03\text{mm}$
2. The components must be flat, without any appearance defects such as deformation, cracks, or damage

| | | | | |
|-------------------|------------|--------------|---------------------|------------------|
| ANGLE TOLERANCE | PROJECTION | Description: | Button Battery Clip | |
| $\pm 1^\circ$ | | | | |
| GENERAL TOLERANCE | UNITS | mm | KLS P/N: | L-KLS5-CR2430-10 |
| .x ± 0.25 | SHEET SIZE | A4 | | |
| .xx ± 0.20 | Draw: | Song | 2024-10-30 | |
| .xxx ± 0.10 | Check: | Daniel | 2024-10-30 | |

NingBo KLS ELECTRONIC CO.,LTD.