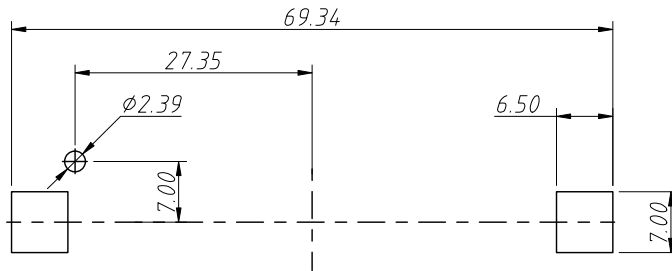
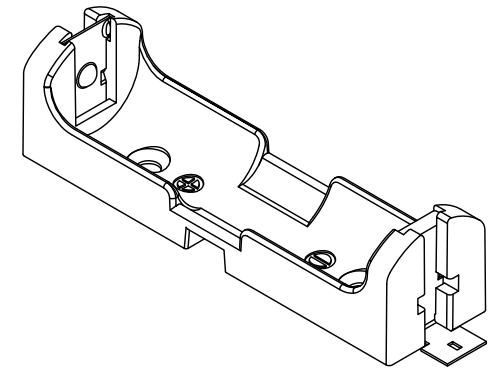
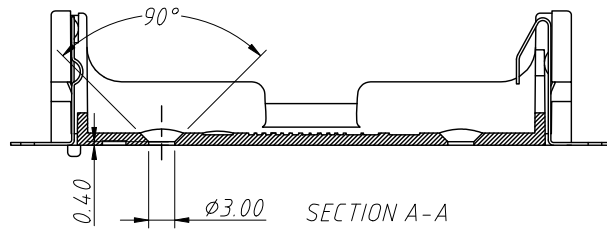
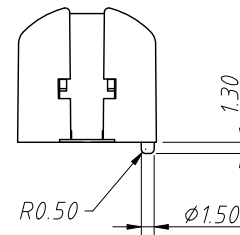
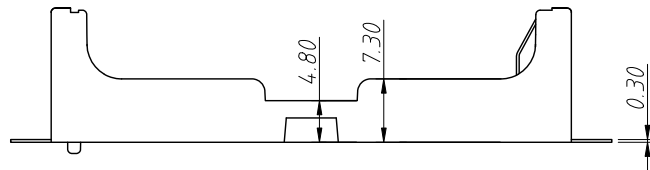
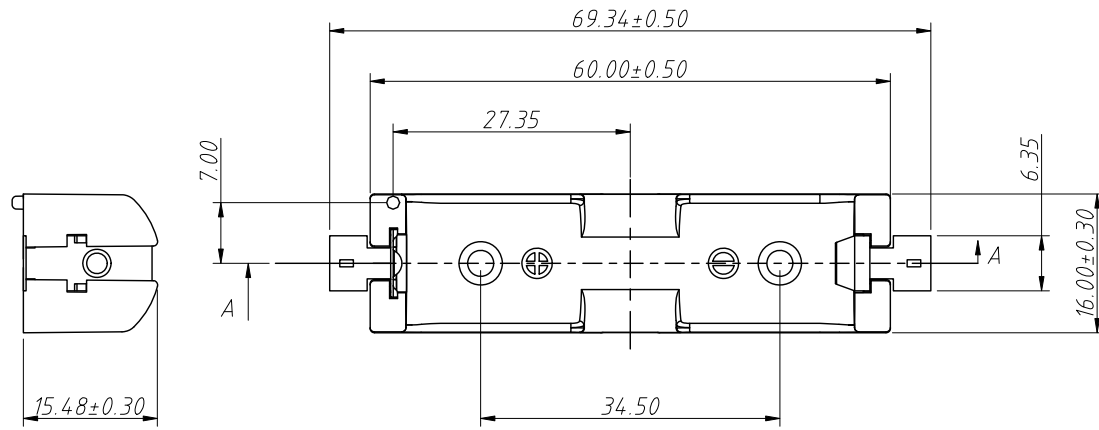


1 RoHS Compliance

REV	SYM	Revision Record	Appr.	Date
V0	KLS05036	New Version Release	Song	2024-12-30

Note:

1. Base Material: Nylon Resin, UL 94 V-0, Black
2. Contacts: 0.35mm Phosphor Bronze, Flash Gold
3. Dielectric Strength: 560 Volts/Mil. at 25°C For 5 Sec



Recommended PCB Layout
Tolerance: ±0.05mm

ANGLE TOLERANCE	PROJECTION	Description:	Cell Holder		
±3°					
GENERAL TOLERANCE	UNITS	mm	KLS P/N:	L-KLS5-899-SMT	
.x ±0.30	SHEET SIZE	A4			
.xx ±0.20	Draw:	Song	2024-12-30	NingBo KLS ELECTRONIC CO.,L.TD.	
.xxx ±0.10	Check:	Daniel	2024-12-30		