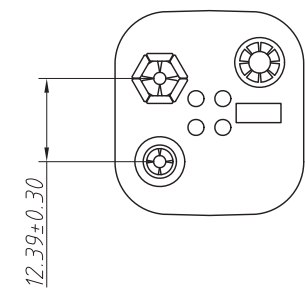
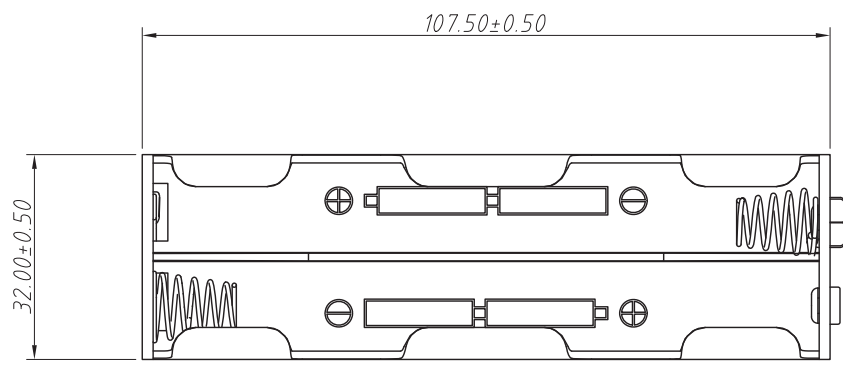
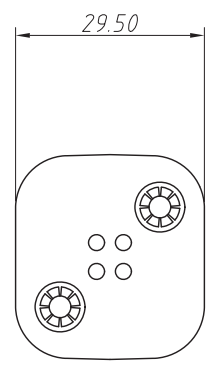
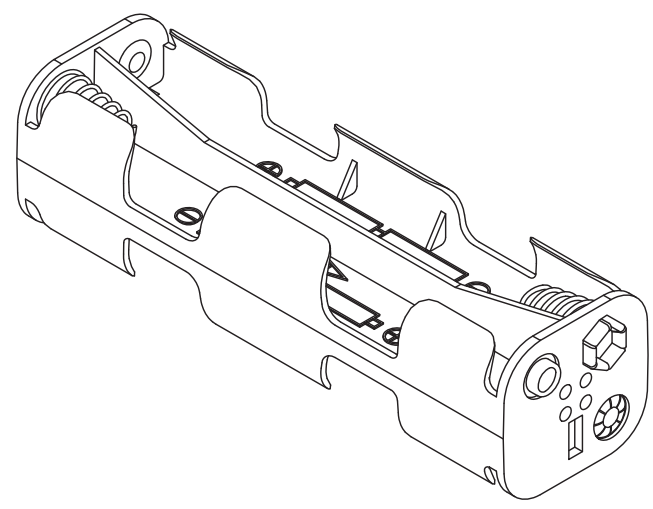
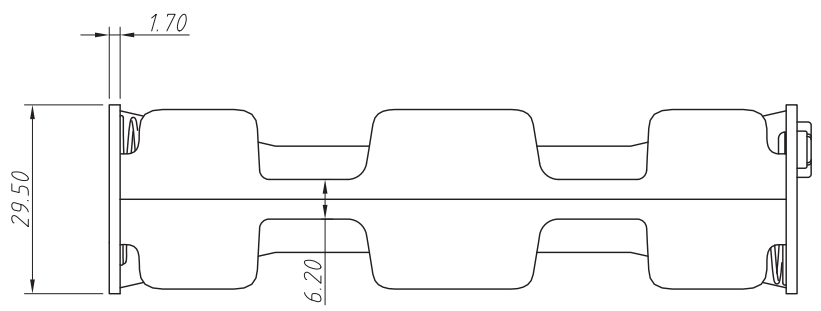


1
RoHS Compliance

6		7		8	
REV	SYM	Revision Record		Appr.	Date
V0	KLS05036	New Version Release		WuHao	2024-11-19



Notes:
 Base Material:PP Resin,UL 94-HB,Black
 9V Snaps:Brass,Nickel Plated
 Spring:0.65mm 65C Spring Wire,Nickel Plated
 Rivets:Brass,Nickel Plated
 Temperature Range:-10°C ~ +100°C



ANGLE TOLERANCE		PROJECTION		Description:	
±3°				Battery Box	
GENERAL TOLERANCE		UNITS	mm	KLS P/N:	
.x	±0.30	SHEET SIZE	A4	L-KLS5-892-C	
.xx	±0.20	Draw:	WuHao	2024-11-19	
.xxx	±0.10	Check:	Daniel	2024-11-19	

KLS
 NingBo KLS ELECTRONIC CO.,LTD.