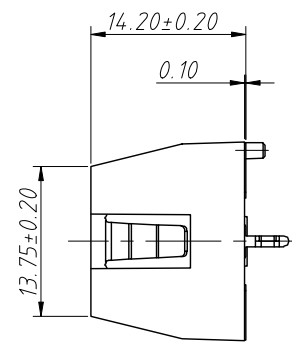
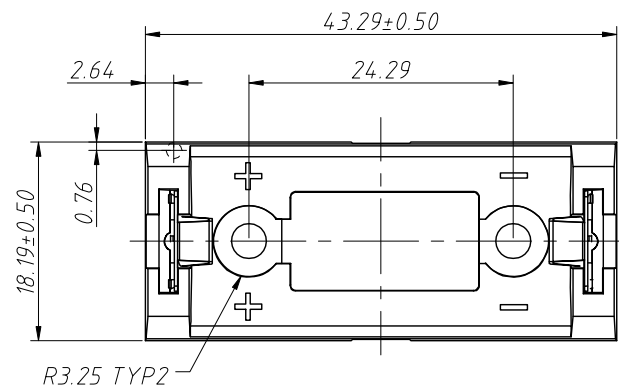
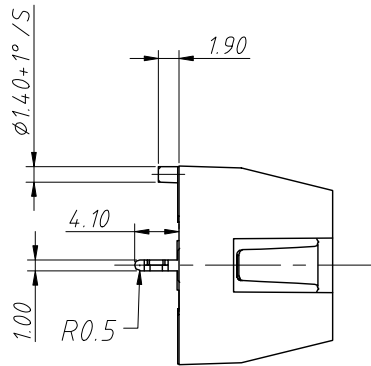
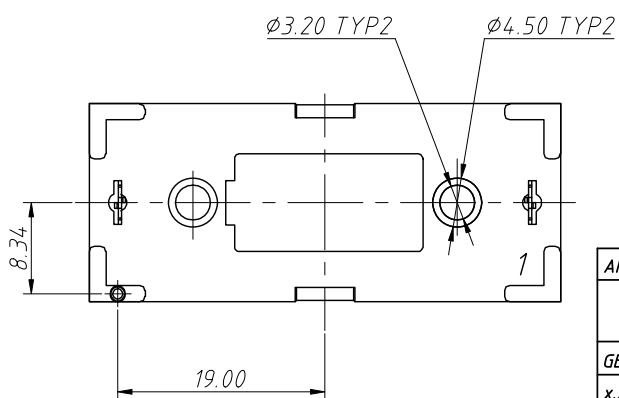
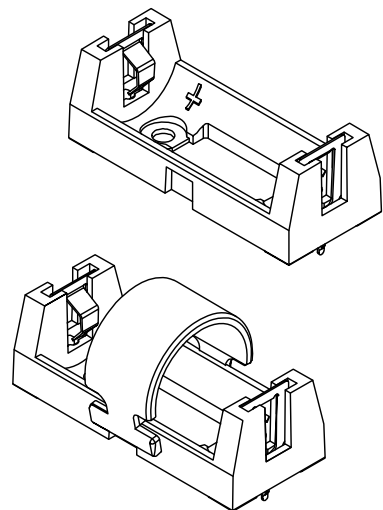
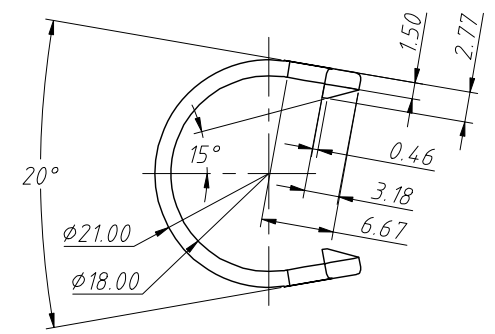
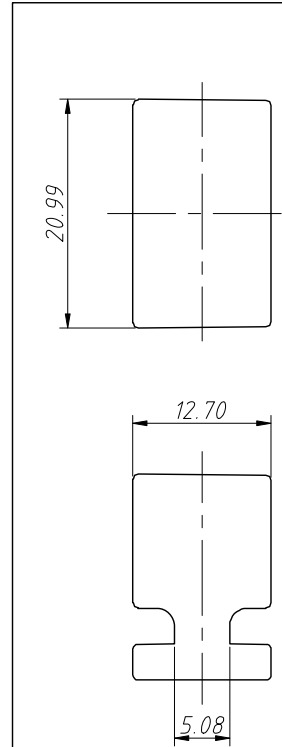
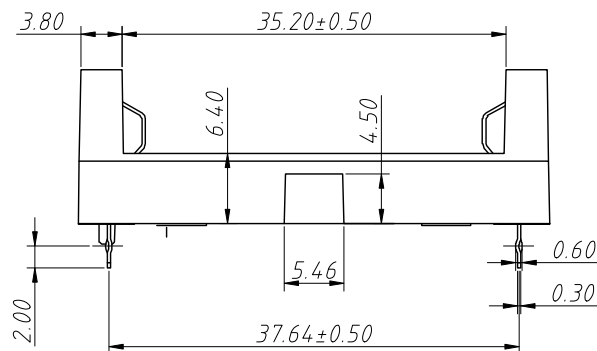
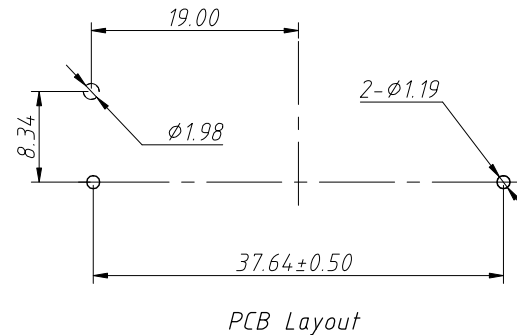


1 RoHS Compliance

REV	SYM	Revision Record	Appr.	Date
V0	KLS05036	New Version Release	Yu	2024-08-12



Note:  
 Base Material: ABS Resin,Black  
 Flammability Rating:UL 94HB or Custom Made  
 PC Pins: 304 Stainless Steel Spring Temper,Nickel Plated  
 Rating : 3.6V DC



ANGLE TOLERANCE	PROJECTION	Description:		
±3°		Battery Holder		
GENERAL TOLERANCE	UNITS	mm	KLS P/N:	L-KLS5-829D-D
x.x ±0.30	SHEET SIZE	A4		
x.xx ±0.20	Draw:	Jenny	2024-08-12	
x.xxx ±0.10	Check:	Daniel	2024-08-12	

