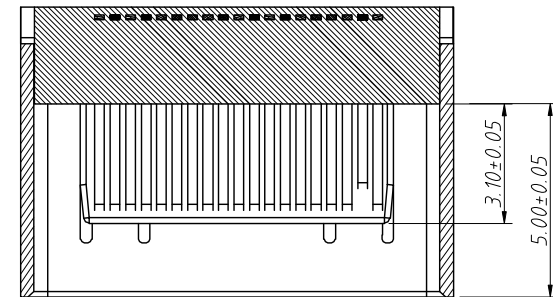
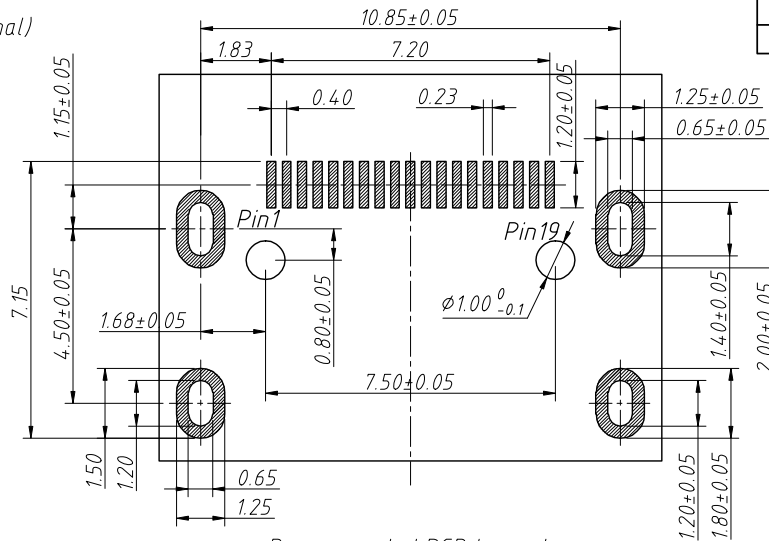
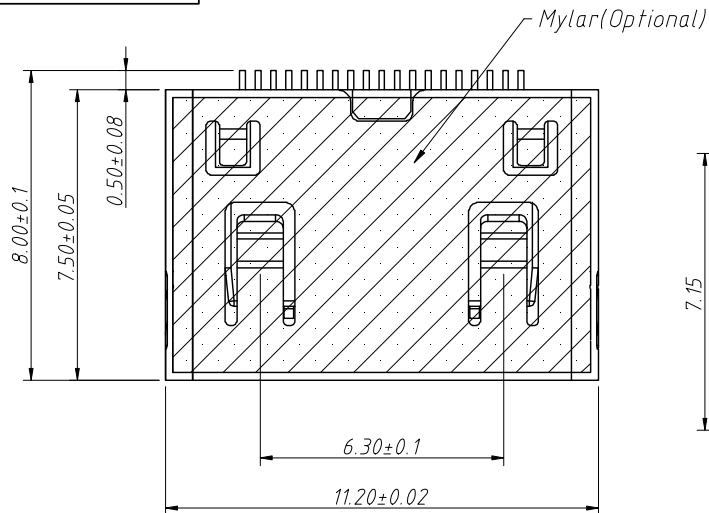
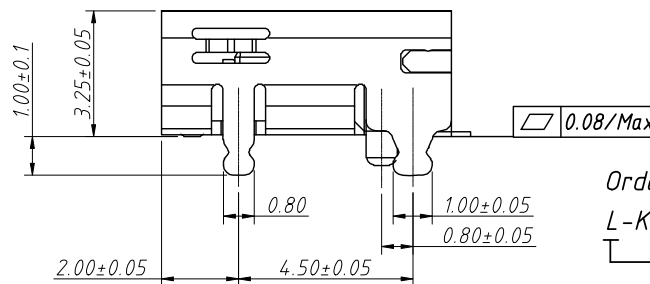
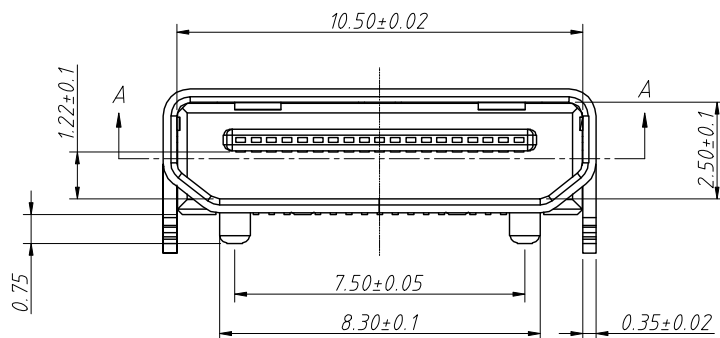


RoHS Compliance

REV	SYM	Revision Record	Appr.	Date
V0	KLS01338	New Version Release	Song	2024-10-28



Recommended PCB Layout
Tolerance: ±0.05mm



Pin Assignment

PIN	Signal Name
1	TMDS Data2 Shield
2	TMDS Data2+
3	TMDS Data2-
4	TMDS Data1 Shield
5	TMDS Data1+
6	TMDS Data1-
7	TMDS Data0 Shield
8	TMDS Data0+
9	TMDS Data0-
10	TMDS Clock Shield
11	TMDS Clock+
12	TMDS Clock-
13	DDC/CEC Ground
14	CEC
15	SCL
16	SDA
17	Utility
18	+5V Power
19	Hot Plug Detect

Order Information:

L-KLS1-301A-1-G-1

L: RoHS

Pos. NO.

Shell Material:

1-Brass 2-SPCC

Shell Plate:

N=Nickel G=Gold

Terminal Plate:

1=1U" 3=3U" 5=5U"

10=10U" 15=15U" 30=30U"

Material:

Housing: High-Temperature Plastic, Black

Pin: Copper Alloy, Gold Plating On Contact Area

50u" Ni Plating Overall

Shell: Copper Alloy, Gold Plating

Electric:

Rated Current: 0.5A

Rated Voltage: 40V

Contact Resistance: 30mΩ Max

Insulation Resistance: 100MΩ Min (Unmated)

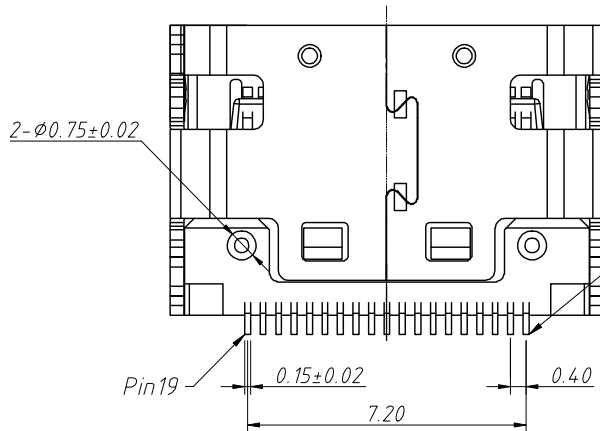
Withstanding Voltage: 500V AC Min. (Unmated)

Operating Temp.: -20°C to +85°C

Mating Force: 44.1N Max

Unmating Force: 7-25N

Durability: 5000 Cycles Min



ANGLE TOLERANCE	PROJECTION	Description:
±1°		Mini HDMI Connector, 19P
GENERAL TOLERANCE	UNITS	mm
.x ±0.25	SHEET SIZE	A4
.xx ±0.10	Draw:	Song 2024-10-28
.xxx ±0.05	Check:	Daniel 2024-10-28



NingBo KLS ELECTRONIC CO., L.TD.