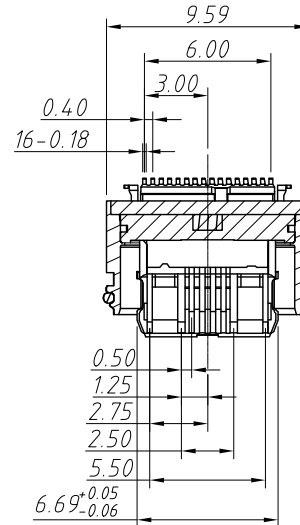
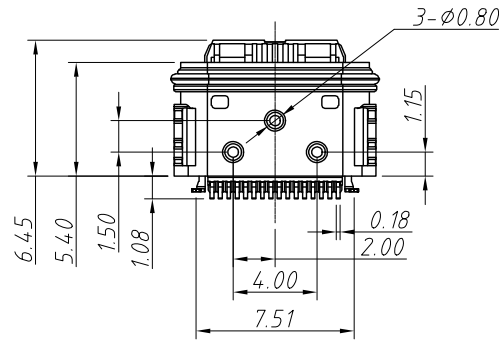
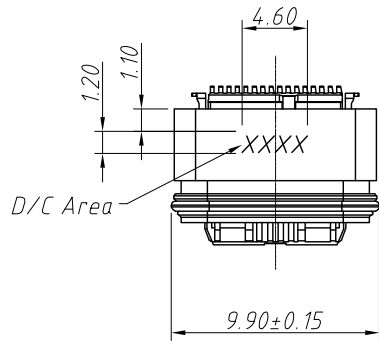


1 RoHS Compliance

REV	SYM	Revision Record	Appr.	Date
V0	KLS01591	New Version Release	WuHao	2025-03-06



SECTION A-A

Material:

1. Shell:Stainless,Ni Plated 50u" Min Over All
- 2.Shell:Stainless,Clean,UL 94V-0
- 3.Mid-Plate:Stainless,Ni Plated 50u" Min Over All
- 4.Top Contact:Copper Alloy
- 5.Bottom Contact:Copper Alloy
- 6.Rubber Ring:Silica Gel

Electrical:

- Current Rating:5.0A For VBUS And GND(Pins A4 A9 B4 B9)
- Insulation Resistance:100 MΩ Min At 250VDC
- Dielectric Withstanding Voltage:100 VAC Min
- Contact Resistance:Initial 40m Max,After 50m Max
- Insertion Force:5N~20N

Extraction Force:

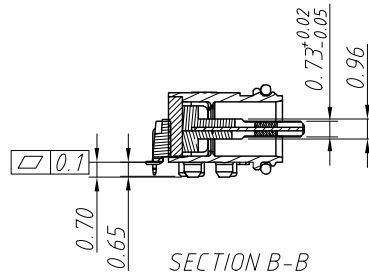
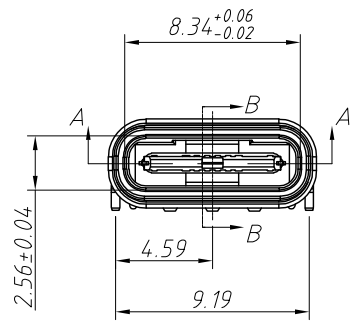
- 8N~20N Form 1 To 1000 Cycles
- 6N~20N Form 1001 To 10000 Cycles

Coplanarity:0.10 Max

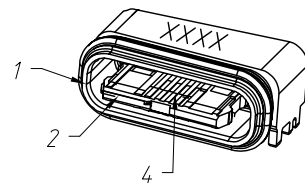
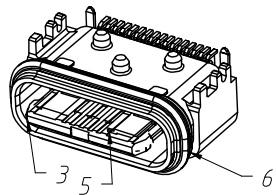
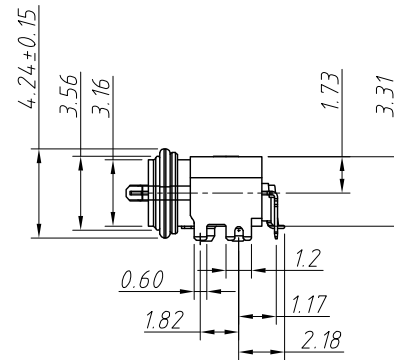
Durability:10000 Mating Cycles

Operating Temperature:-55°C ~ +85°C

Water Proofness:IPX7



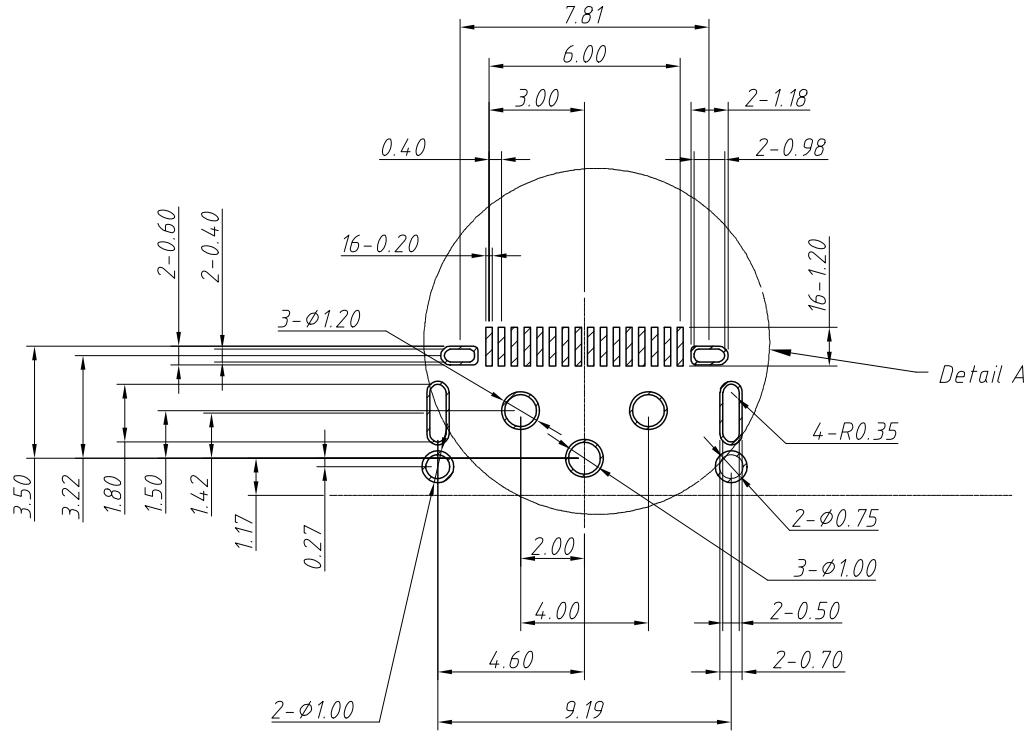
SECTION B-B



ANGLE TOLERANCE	PROJECTION	Description:
±3°		SMT USB Type-C IPX7 Waterproof Connector
GENERAL TOLERANCE	UNITS	mm
.x ±0.20	SHEET SIZE	A4
.xx ±0.15	Draw:	WuHao 2025-03-06
.xxx ±0.10	Check:	Daniel 2025-03-06
		KLS P/N: L-KLS1-PUB-023-R
		NingBo KLS ELECTRONIC CO.,LTD.

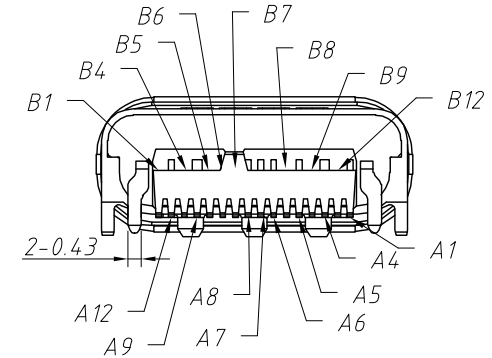
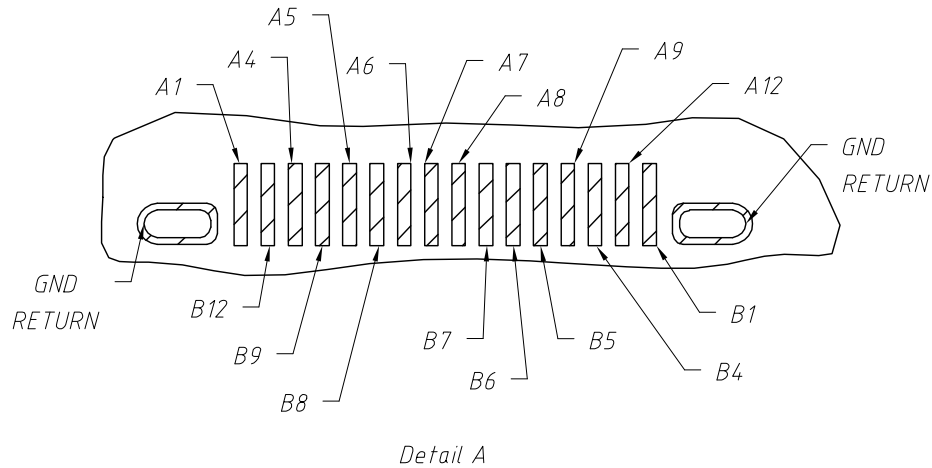
1 RoHS Compliance

6	7	8		
REV	SYM	Revision Record	Appr.	Date
V0	KLS01591	New Version Release	WuHao	2025-03-06



Recommended PCB Layout
Tolerance: $\pm 0.05\text{mm}$

Pin	Signal Name	Pin	Signal Name
A1	GND	B12	GND
A4	VBUS	B9	VBUS
A5	CC1	B8	SBU2
A6	Dp1	B7	Dn2
A7	Dn1	B6	Dp2
A8	SBU1	B5	CC2
A9	VBUS	B4	VBUS
A12	GND	B1	GND



ANGLE TOLERANCE	PROJECTION	Description:		
$\pm 3^\circ$		SMT USB Type-C IPX7 Waterproof Connector		
GENERAL TOLERANCE	UNITS	mm	KLS P/N:	L-KLS1-PUB-023-R
.x ± 0.30	SHEET SIZE	A4	2/2	NingBo KLS ELECTRONIC CO.,LTD.
.xx ± 0.20	Draw:	WuHao	2025-03-06	
.xxx ± 0.10	Check:	Daniel	2025-03-06	