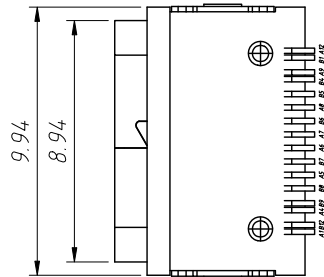
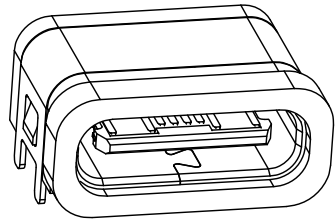


1 RoHS Compliance

|     |          |                     |  |       |            |
|-----|----------|---------------------|--|-------|------------|
| 6   |          | 7                   |  | 8     |            |
| REV | SYM      | Revision Record     |  | Appr. | Date       |
| V0  | KLS01323 | New Version Release |  | Jenny | 2024-07-30 |



|     |             |     |             |
|-----|-------------|-----|-------------|
| A1  | GND         | B12 | GND         |
| A4  | VBUS        | B9  | VBUS        |
| A5  | CC1         | B8  | SBU2        |
| A6  | DP1         | B7  | DN2         |
| A7  | DN1         | B6  | DP2         |
| A8  | SBU1        | B5  | CC2         |
| A9  | VBUS        | B4  | VBUS        |
| A12 | GND         | B1  | GND         |
| PIN | Signal Name | PIN | Signal Name |

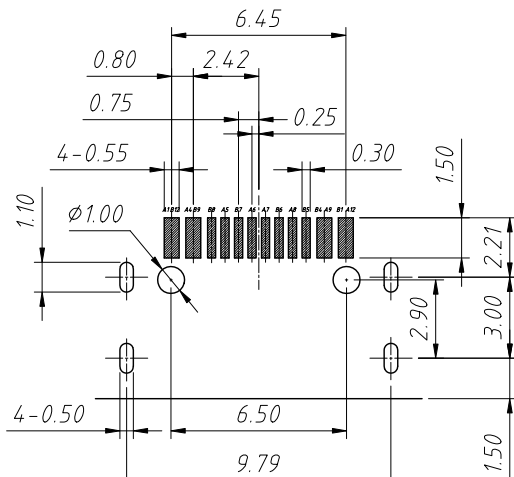
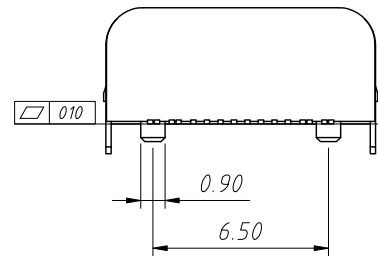
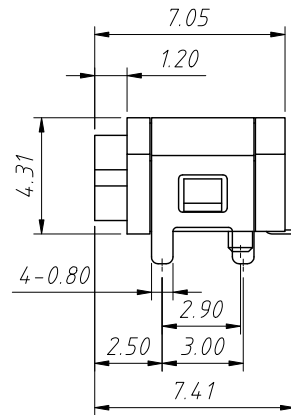
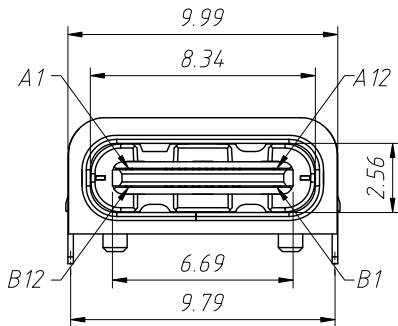
Material:

1. Housing: High Temperature Plastic, Black
2. Shell Housing: High Temperature Plastic, Black
3. Contact: Copper Alloy, Tin/Au/Ni Plated
4. Shielding Plate: Stainless Steel, Ni Plated
5. Shell: Stainless Steel, Ni Plated
6. Waterproof ring: Siica gel, Black

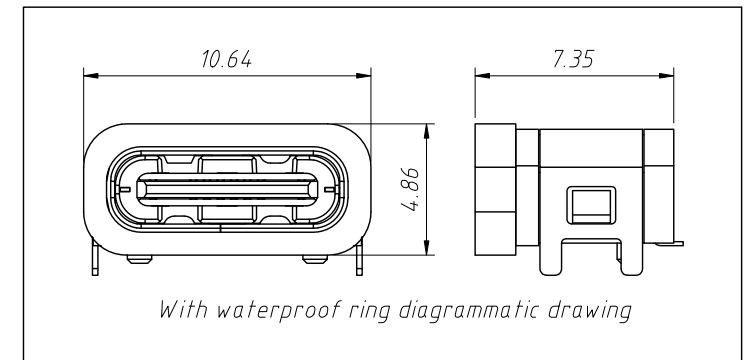
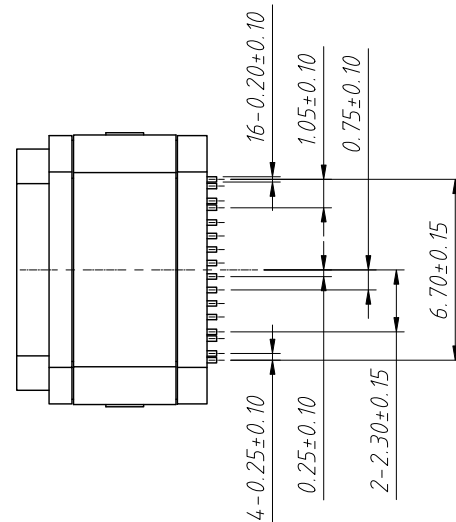
Electrical Characteristics:

1. Current Rating: 5.0A Max
2. Voltage: 100 VAC
3. Temperature Range:  $-30^{\circ}\text{C} \sim +85^{\circ}\text{C}$
4. Contact Resistance:  $40\text{m}\Omega$  Max
5. Insulation Resistance:  $100\text{M}\Omega$  Min.
6. Insertion Force: 5N-20N
7. Unmating Force: 8N-20N
8. Durability: 10000 Cycles
9. Water Proofness:

This product is Based On IPX7

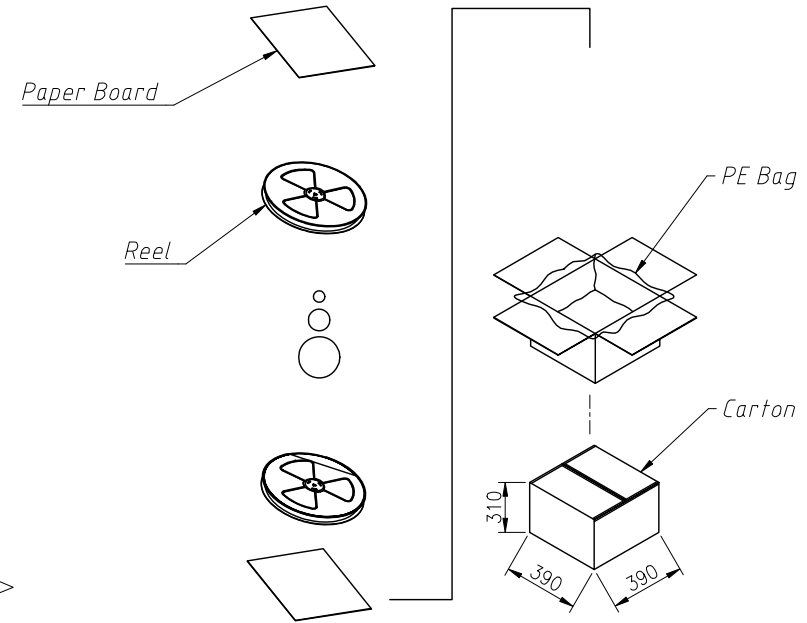
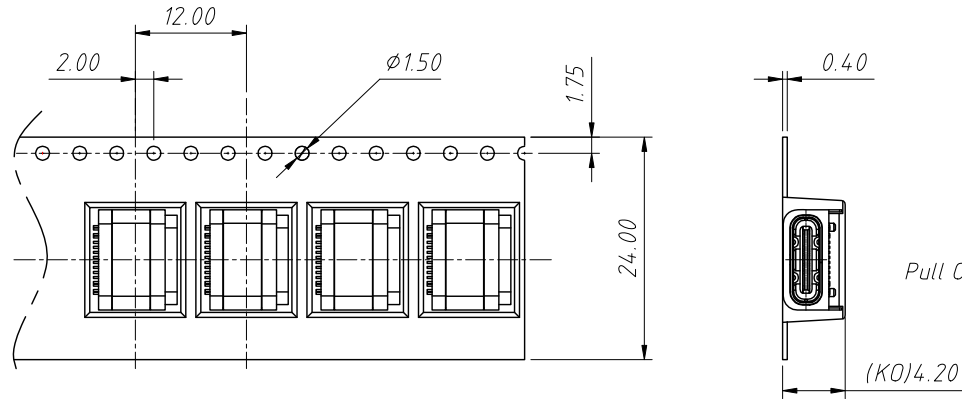
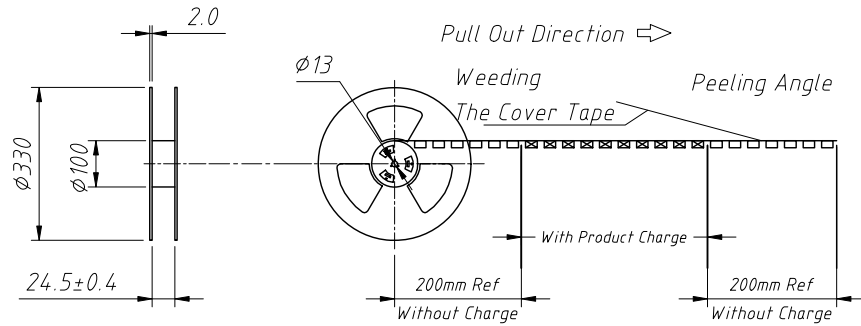


Recommended PCB Layout  
PCB Board Tolerance  $\pm 0.05\text{mm}$



|                   |            |  |                  |                                |  |
|-------------------|------------|--|------------------|--------------------------------|--|
| ANGLE TOLERANCE   | PROJECTION | Description:                                 |                  |                                |  |
| $\pm 3^{\circ}$   |            | SMT USB Type-C 16P IPX7 Waterproof Connector |                  |                                |  |
| GENERAL TOLERANCE | UNITS      | mm   | KLS P/N:         |                                |  |
| x.x $\pm 0.30$    | SHEET SIZE | A4   | L-KLS1-PUB-021-R |                                |  |
| x.xx $\pm 0.20$   | Draw:      | Jenny  | 2024-07-30       |                                |  |
| x.xxx $\pm 0.10$  | Check:     | Daniel                                       | 2024-07-30       | NingBo KLS ELECTRONIC CO.,LTD. |  |

1 RoHS Compliance



Notes:

1.Materials:

- Carton: Fiberboard, Corrugated, Double Walled
- Tape: Polystyrene, Heat-Resistant Temperature: 120°C, White.
- Drum: Polystyrene, Heat-Resistant Temperature: 70°C, Blue.
- Packaging: Polyethylene, Heat-Resistant Temperature: 100°C.

2.Peel Strength: 0.1~1.3 N (10~30 Grams)

3.Peeling Speed: 300mm/Min.

4.Each Bag Should Include Desiccant × 1.

5.Attach Numbered Material Labels And Rohs Labels On The Outer Box.

6.The Same Product Can Only Be Packed In The Same Cardboard Box,  
And Other Products Are Not Allowed.

7.After Packaging, The Riveted Side Of The Product Should Face Inward

8.Quantity:600 PCS/Reel3000PCS/Carton

|                   |            |              |                                 |                  |
|-------------------|------------|--------------|---------------------------------|------------------|
| ANGLE TOLERANCE   | PROJECTION | Description: | SMT USB Type-C 16P              |                  |
| ±3°               |            |              | IPX7 Waterproof Connector       |                  |
| GENERAL TOLERANCE | UNITS      | mm           | KLS P/N:                        | L-KLS1-PUB-021-R |
| x.x ±0.30         | SHEET SIZE | A4           | 2 Of 2                          |                  |
| x.xx ±0.20        | Draw:      | Daniel       | 2023-04-14                      |                  |
| x.xxx ±0.10       | Check:     | Daniel       | 2023-04-14                      |                  |
|                   |            |              | NingBo KLS ELECTRONIC CO.,L TD. |                  |