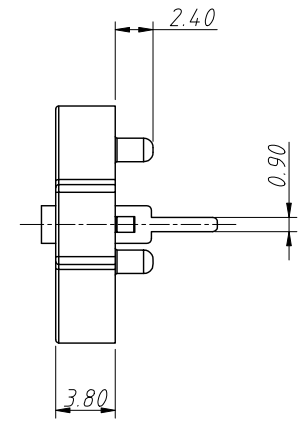
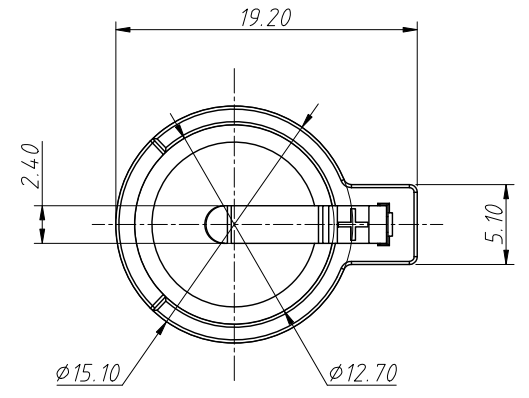


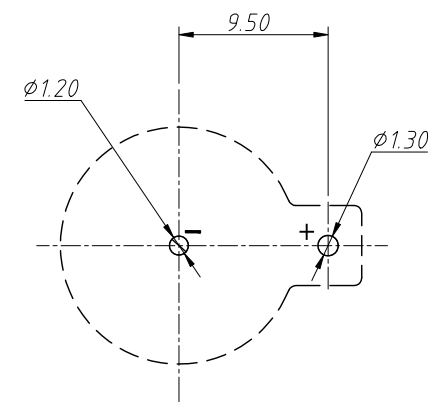
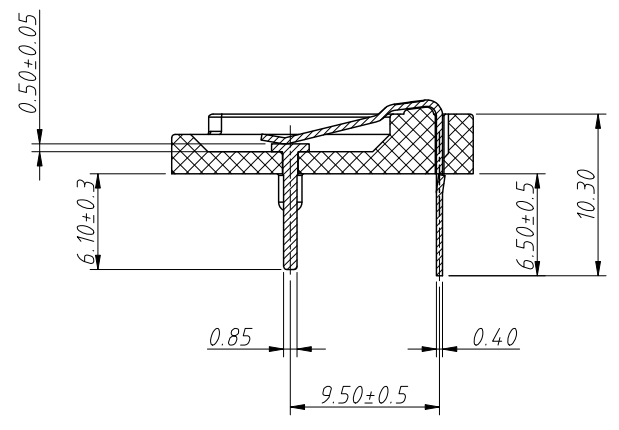
1
RoHS Compliance

| | | | |
|-----|----------|---------------------|-------|
| 7 | | 8 | |
| REV | SYM | Revision Record | Appr. |
| V0 | KLS05047 | New Version Release | Song |
| | | Date | |
| | | 2025-03-11 | |

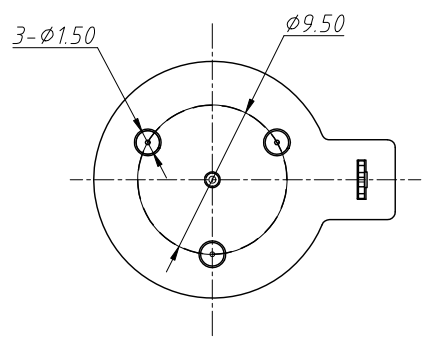
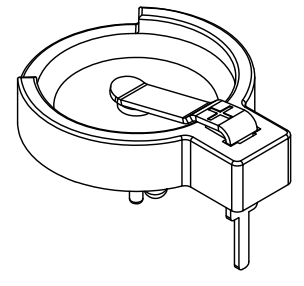


Material:
 Housing: PA46, UL 94V-0, Black
 Terminal +: Mn Steel, Ni Plated
 Terminal -: C3604 Copper Alloy, Ni Plated

Electrical:
 Contact Resistance: 100 Milliohms Max
 Insulator Resistance: 100 Megaohms Min
 Dielectric Voltage: 500V AC One Minute
 Operating Temperature: -25°C ~ +85°C



Recommended PCB Layout
 Tolerance: ±0.05mm



| | | | | |
|-------------------|------------|----------------|-------------------|--|
| ANGLE TOLERANCE | PROJECTION | Description: | | |
| ±3° | | Battery Holder | | |
| GENERAL TOLERANCE | UNITS | mm | KLS P/N: | |
| .x ±0.30 | SHEET SIZE | A4 | L-KLS5-CR1220-013 | |
| .xx ±0.20 | Draw: | Song | 2025-03-11 | |
| .xxx ±0.10 | Check: | Daniel | 2025-03-11 | |

NingBo KLS ELECTRONIC CO., L TD.