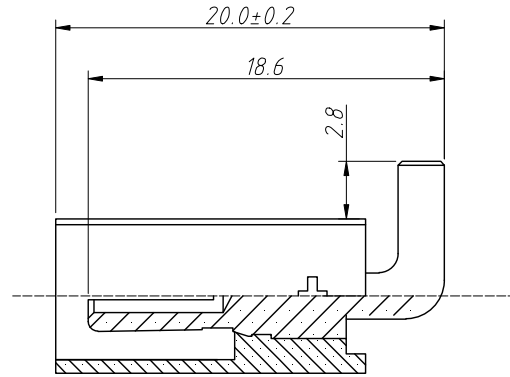


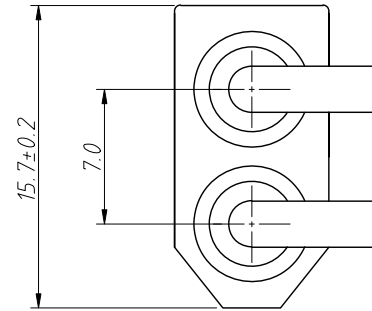
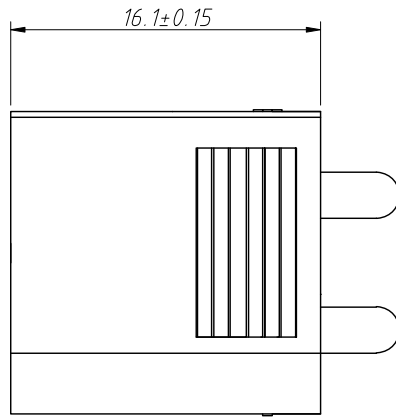
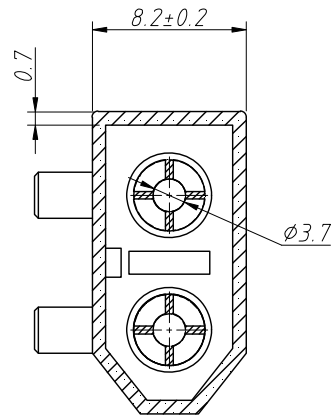
1 RoHS Compliance

6	7	8
REV	SYM	Revision Record
V0	KLS01633	New Version Release
Appr.	Song	Date
		2025-03-11

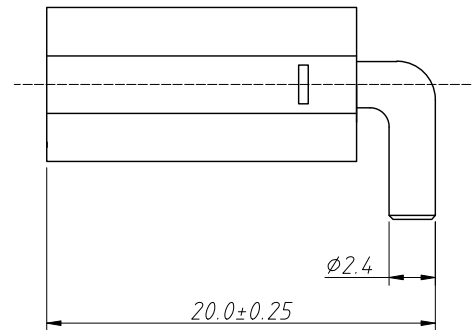


Material:  
 Housing :PA, Yellow,UL 94 V-2  
 Metal material:Brass,Gold Plated

Electric:  
 Instantaneous current:60A  
 Rated Current:30A  
 Rated Voltage:DC500V  
 Contact resistance:0.55mΩ  
 Working temperature:-20°C ~ 120°C  
 Packing:500PCS/Bag



Order Information  
 L-KLS1-XT60-F R-8  
 RoHS  
 Type:XT60  
 F=Female  
 R= Right Angle  
 Color:8- Yellow



ANGLE TOLERANCE	PROJECTION	Description:	XT60 30A Lithium Battery Connector Female
±3°			
GENERAL TOLERANCE	UNITS	mm	KLS P/N: L-KLS1-XT60-FR-8
.x ±0.10	SHEET SIZE	A4	NingBo KLS ELECTRONIC CO.,L TD.
.xx ±0.05	Draw:	Song	
.xxx ±0.03	Check:	Daniel	