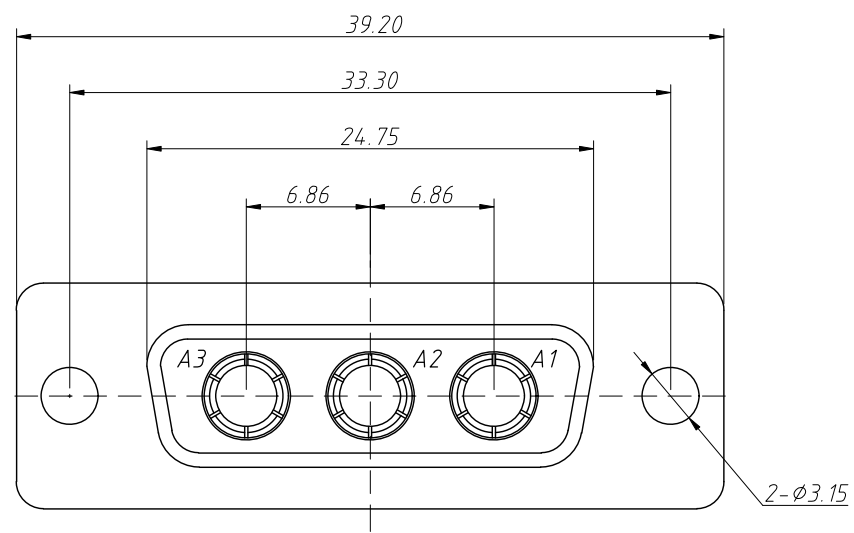


1  
RoHS Compliance

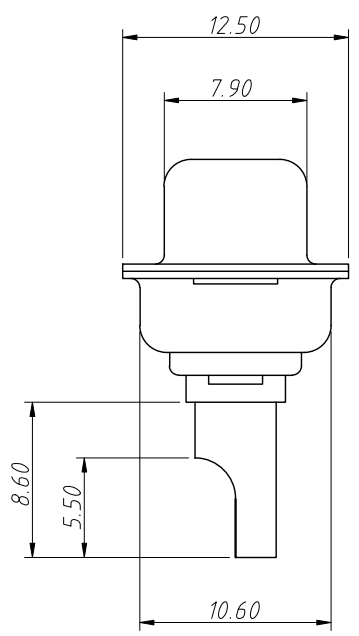
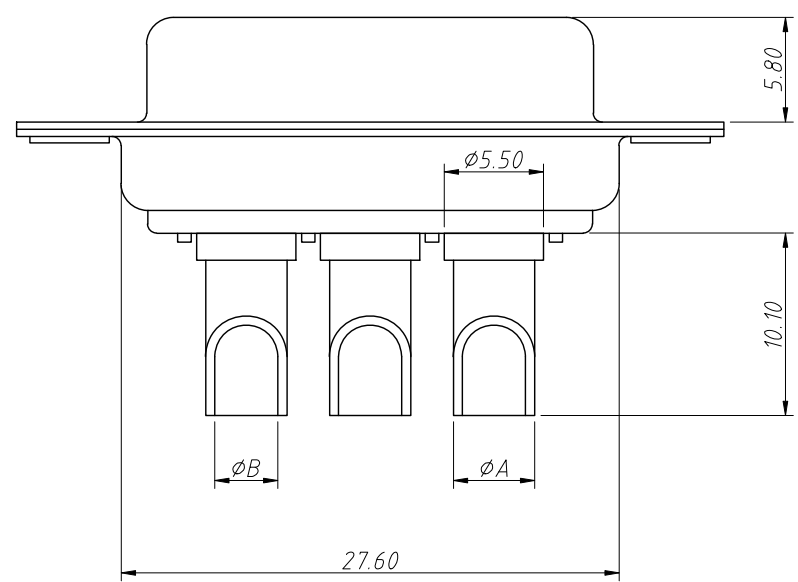
6	7	8
REV	SYM	Revision Record
V0	KLS01545	New Version Release
		Appr. Song
		Date 2025-02-20



Current Rating	A	B	Applicable Wire Diameter
10 A	φ2.60	φ1.80	14~16AWG
20 A	φ3.60	φ2.80	10~12AWG
30 A	φ4.50	φ3.50	8~10AWG
40 A	φ5.40	φ4.60	6~8AWG

Material:  
 Rubber Core:PBT,Black, UL 94V-0  
 Contact Point: Copper Alloy, 1~30u"Gold-Plated,  
 Shell:SPCC,Nickel Plating On The Front Shell  
 And Tin Plating On The Back Shell

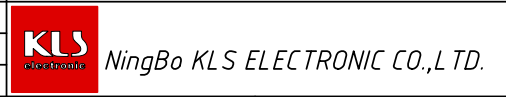
Electric:  
 Rated Volts:500V AC Min  
 Rated Current:10A 20A 30A 40A  
 Contact Resistance:30mΩ Max  
 Insulation Resistance:  
 3000MΩMin. at 500V DC  
 Voltage Withstand:1000V AC RMS For 1Minute  
 Temperature:-55°C ~ +105°C  
 Salt Spray Test:48H



Order Information  
 L-KLS1-BIG03G-3W3-F-40A-1U

RoHS  
 PCB Type  
 No.Of Pin:3W3  
 M-Male F-Female  
 Current Rating:  
 10A 20A 30A 40A  
 Contact Plating Gold:(1u"~30u")  
 1U=AU 1u" .....

ANGLE TOLERANCE	PROJECTION	Description:
±3°		3W3 High Current D-SUB,Female
GENERAL TOLERANCE	UNITS	mm
x. ±0.5	SHEET SIZE	A4
.x ±0.3	Draw:	Song
.xx ±0.2	Check:	Daniel
		KLS P/N: L-KLS1-BIG03G-3W3-F-XXA-XU



A  
B  
C  
D  
E  
F  
G  
H

A  
B  
C  
D  
E  
F  
G  
H

1 2 3 4 5 6 7 8