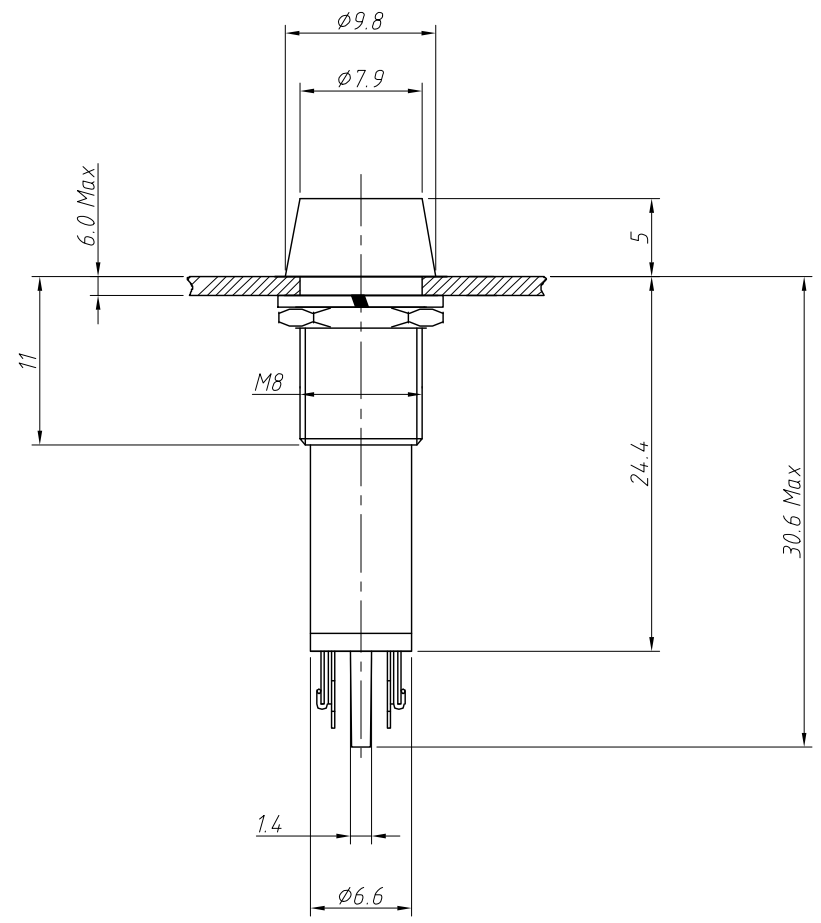


1
RoHS Compliance

6	7	8
REV	SYM	Revision Record
V0	KLS07070	New Version Release
		Appr.
		WuHao
		Date
		2025-02-21



Notes:
Indicator Light: ø1.0mm
Mounting Hole: ø8mm

Function:
N1-NEON w/resistor 120V 220V
N2-LED w/resistor 6V 12V 24V
N3-PILOT 6V 12V 24V

R = Red Lamp
Y = Yellow Lamp
G = Green Lamp

ANGLE TOLERANCE	PROJECTION	Description:
±3°		LED Indicator Light
GENERAL TOLERANCE	UNITS	mm
x.x ±0.30	SHEET SIZE	A4
x.xx ±0.20	Draw:	WuHao 2025-02-21
x.xxx ±0.10	Check:	Daniel 2025-02-21
		KLS P/N: KLS9-IL-M8-03B-NX-X
		NingBo KLS ELECTRONIC CO.,L TD.