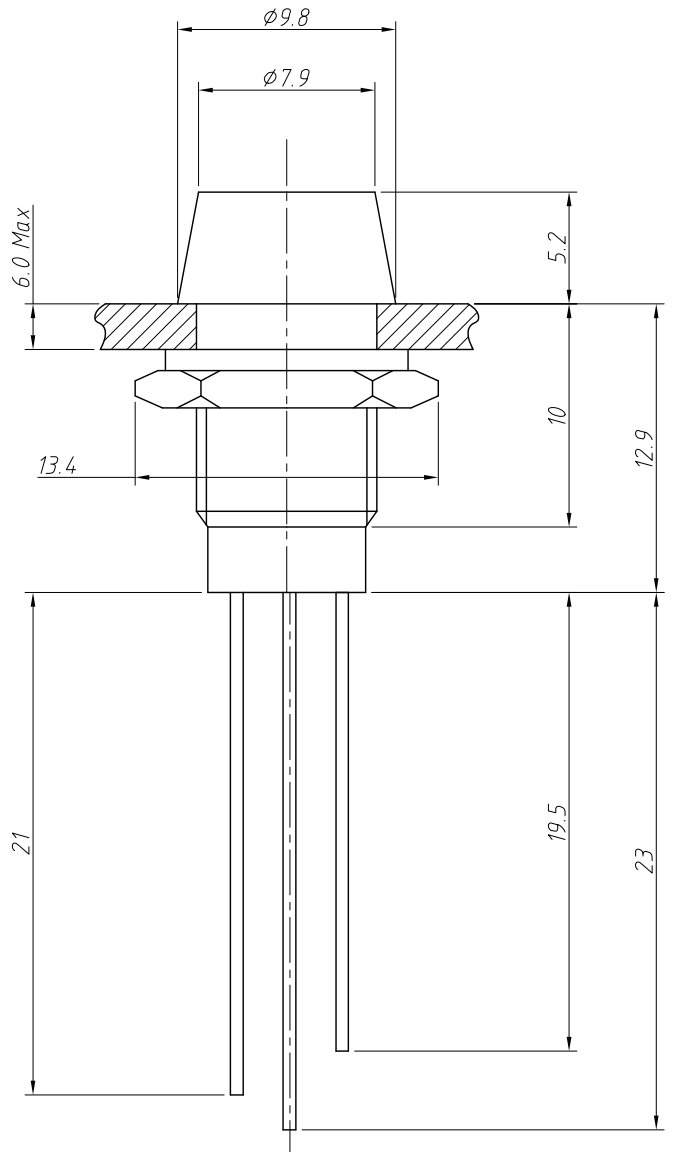


1
RoHS Compliance

6		7		8	
REV	SYM	Revision Record		Appr.	Date
V0	KLS07070	New Version Release		WuHao	2025-02-20



Notes:
Material: Copper, Nickel Plating
Red Turn Green Double Color
Rating: 2V

ANGLE TOLERANCE	PROJECTION	Description:			
±3°		LED Indicator Light			
GENERAL TOLERANCE	UNITS	mm	KLS P/N:		
.x ±0.30	SHEET SIZE	A4	L-KLS9-IL-M8-01C-G/R		
.xx ±0.20	Draw:	WuHao	2025-02-20	NingBo KLS ELECTRONIC CO.,L TD.	
.xxx ±0.10	Check:	Daniel	2025-02-20		