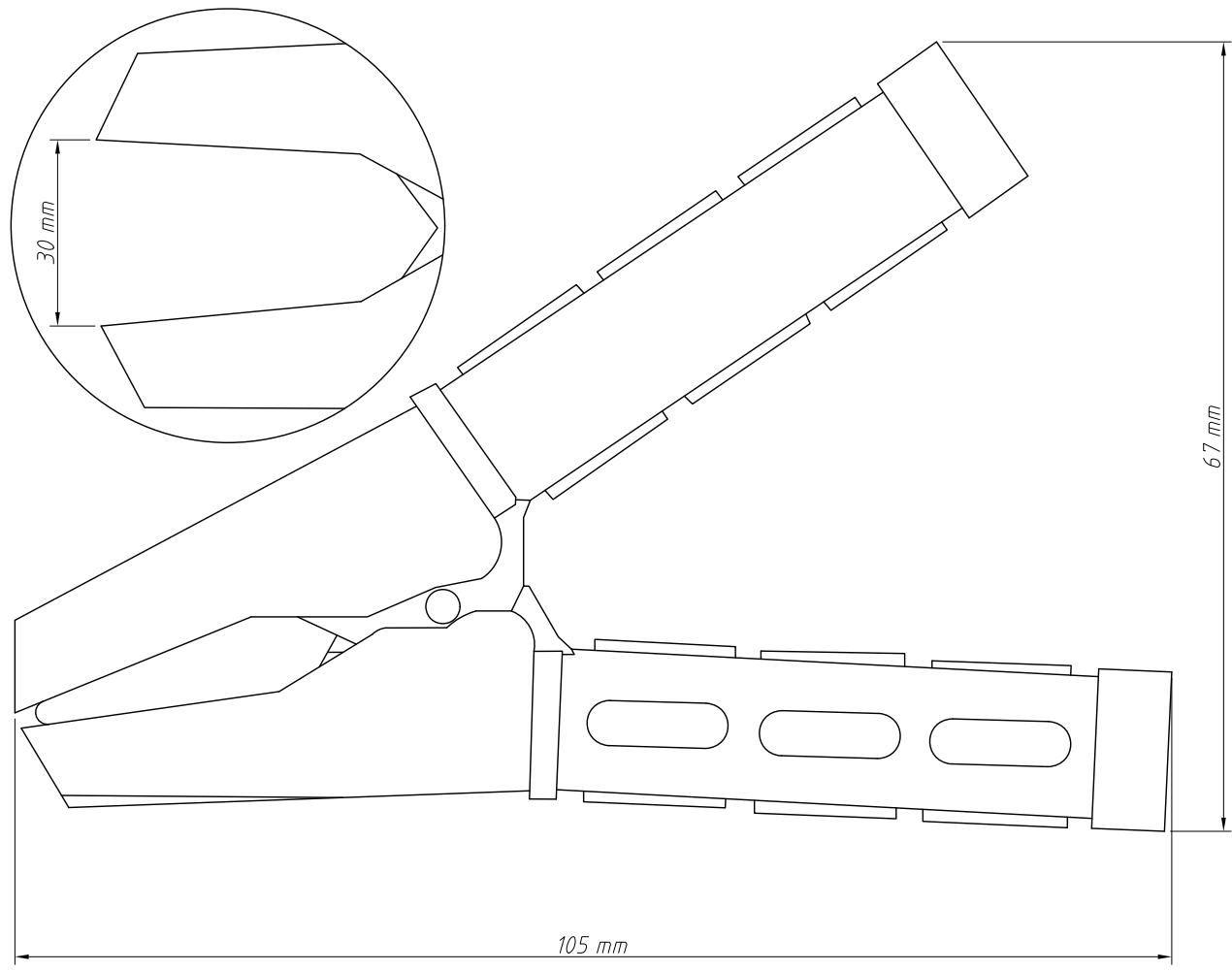


1
RoHS Compliance

6	7	8
REV	SYM	Revision Record
V0	KLS15036	New Version Release
		Appr.
		WuHao
		Date
		2025-02-20



Material:
 Body:Iron,Copper plating
 Housing:PVC,Black
 Featur:High Relisbity
 High Stabilty
 Econmom And Practical

Electric:
 Rated Current:100A
 Insulation Resistance:0.2Ω MIN

ANGLE TOLERANCE	PROJECTION	Description:
±3°		Alligator Clips
GENERAL TOLERANCE	UNITS	mm
.x ±0.30	SHEET SIZE	A4
.xx ±0.20	Draw:	WuHao 2025-02-20
.xxx ±0.10	Check:	Daniel 2025-02-20
		KLS P/N: L-KLS5-929-BK
		NingBo KLS ELECTRONIC CO.,L TD.