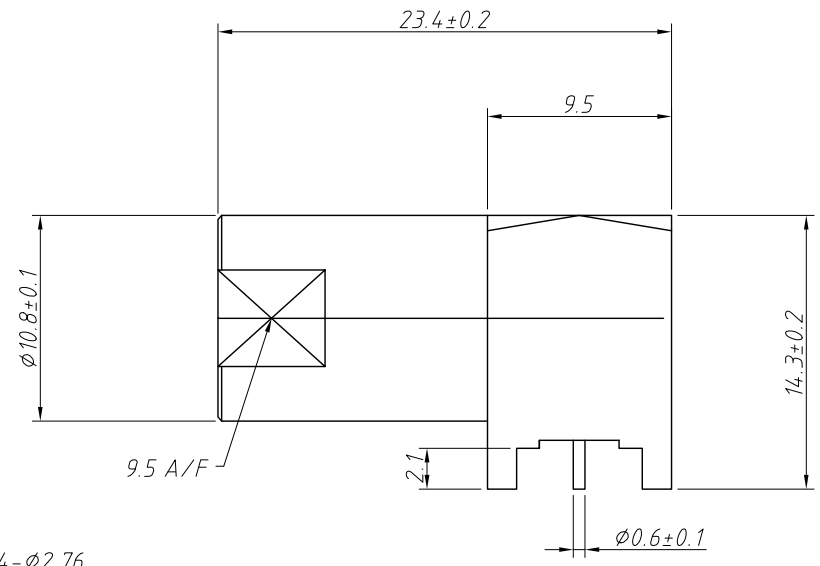
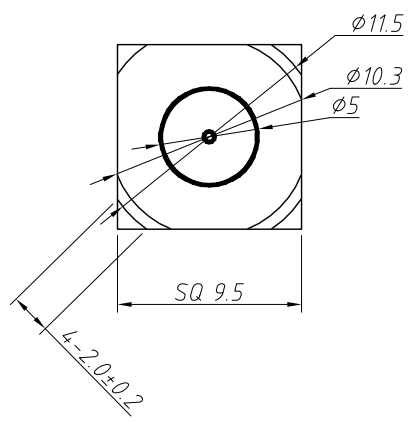
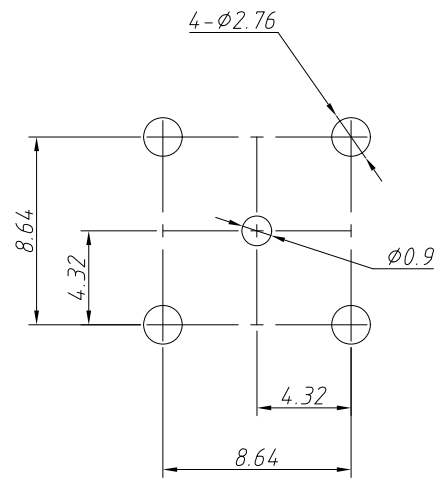


1  
RoHS Compliance

6		7		8	
REV	SYM	Revision Record		Appr.	Date
V0	KLS01058	New Version Release		WuHao	2025-02-18



Material:  
Shell:Brass,Nickel-Plated  
Conductor:Brass,Gold Plated  
Insulating :PTFE



Recommended PCB Layout

ANGLE TOLERANCE	PROJECTION	Description:			
±3°		FME Connector			
GENERAL TOLERANCE	UNITS	mm	KLS P/N:	L-KLS1-FME-001	
.x ±0.30	SHEET SIZE	A4		NingBo KLS ELECTRONIC CO.,LTD.	
.xx ±0.20	Draw:	WuHao	2025-02-18		
.xxx ±0.10	Check:	Daniel	2025-02-18		