

Switch

Push Button Switch Series

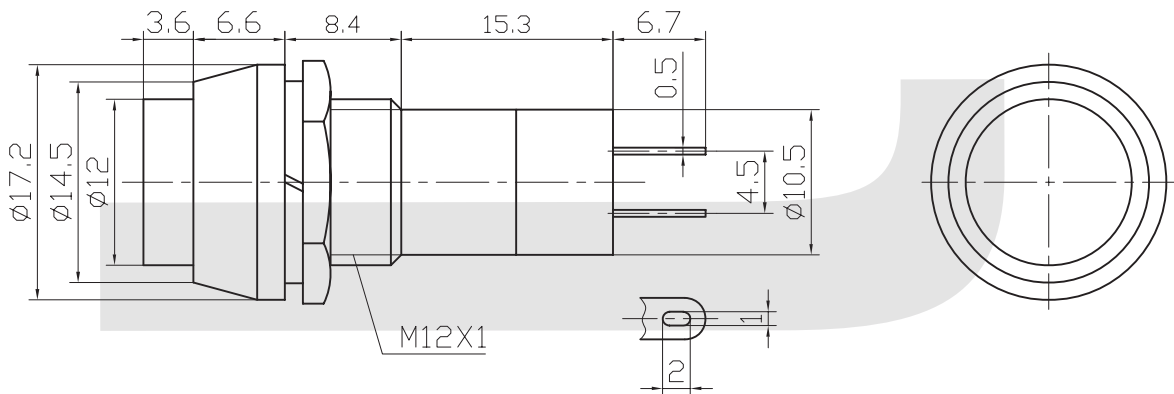
KLS7-PBS-006 Push Button Switch Series

ELECTRICAL

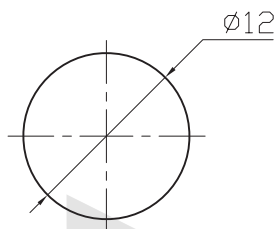
Rating: 3A 125V AC ,1A 250V AC
Contact resistance: 20mΩ Max
Insulation resistance: 100MΩ/500VDC Min
Withstanding Voltage: AC1000V/1Min
Operating Temperature: -25°C~+85°C
Electrical life: 50000 Cycles



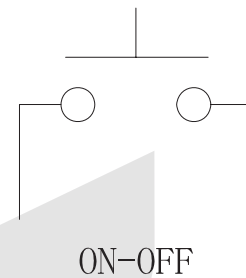
VII



Mounting



Circuitry



ORDER INFORMATION

KLS7-PBS-006 X X

Part Number

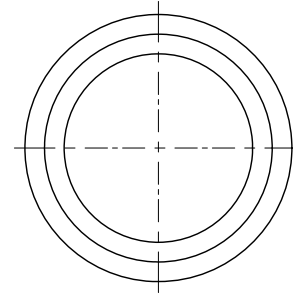
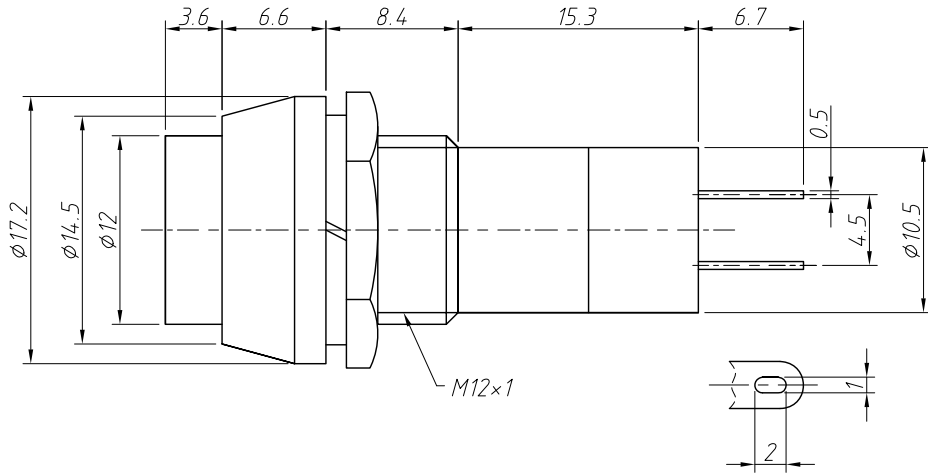
PBS-006: Push Button Switch Series

Button color: R=Red G=Green B=Black

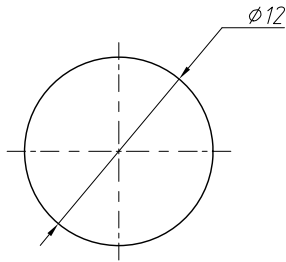
Function: B=ON-OFF
C=ON-(OFF)
D=OFF-(ON)

1 RoHS Compliance

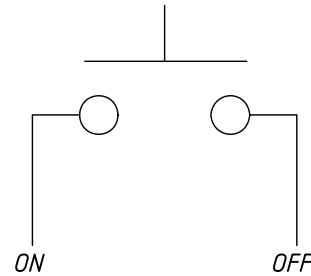
6		7		8	
REV	SYM	Revision Record		Appr.	Date
V0	KLS07029	New Version Release		WuHao	2025-02-18



Electrical:
 Rating: 3A 125V AC: 1A 250V AC
 Contact Resistance: 20 mΩ Max
 Insulator Resistance: 100 MΩ Min At 500V DC
 Dielectric Strength: 1 Minute 1000V AC
 Operating Temperature: -25°C ~ +85°C
 Electrical Life: 50000 Cycles



Mounting



Circuitry

Order Information

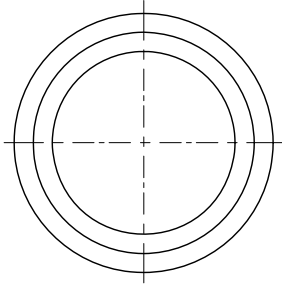
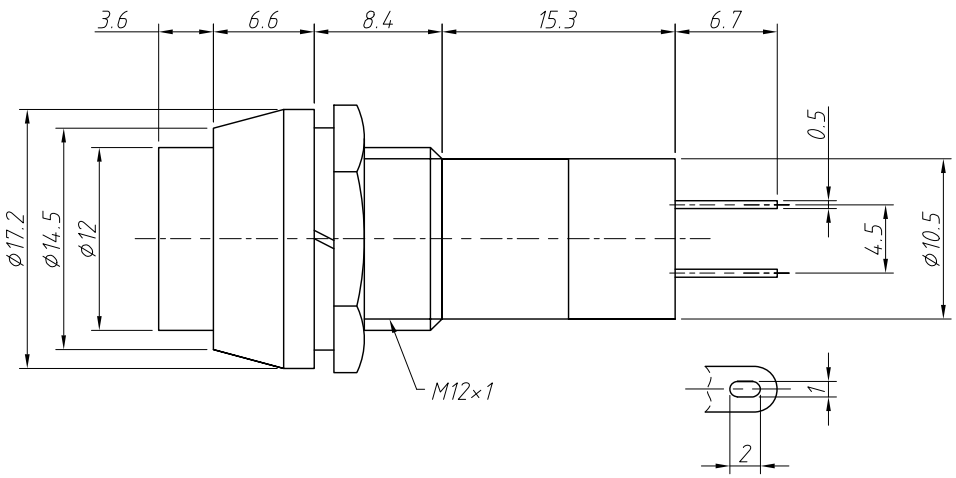
I-KLS7-PBS-006B-B

RoHS
 Push Button
 Switch Series
 Function:
 B=ON-OFF
 Button Color:
 R=Red G=Green B=Black
 BL=Blue O=Orange

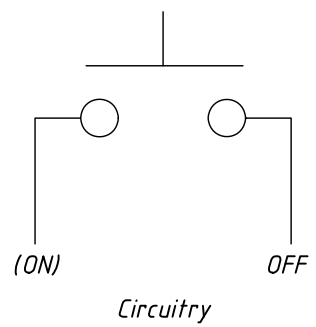
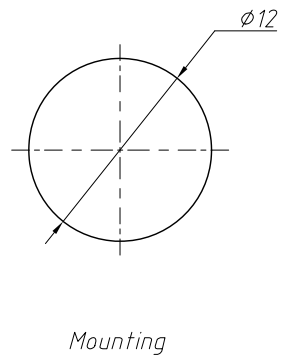
ANGLE TOLERANCE	PROJECTION	Description:	Push-Button Switch		
±3°					
GENERAL TOLERANCE	UNITS	mm	KLS P/N:	I-KLS7-PBS-006B-X	
.x ±0.30	SHEET SIZE	A4			
.xx ±0.20	Draw:	WuHao	2025-02-18	NingBo KLS ELECTRONIC CO.,L TD.	
.xxx ±0.10	Check:	Daniel	2025-02-18		

1
RoHS Compliance

6		7		8	
REV	SYM	Revision Record		Appr.	Date
V0	KLS07029	New Version Release		WuHao	2025-02-18



Electrical:
 Rating: 3A 125V AC: 1A 250V AC
 Contact Resistance: 20 mΩ Max
 Insulator Resistance: 100 MΩ Min At 500V DC
 Dielectric Strength: 1 Minute 1000V AC
 Operating Temperature: -25°C ~ +85°C
 Electrical Life: 50000 Cycles



Order Information
 L-KLS7-PBS-006D-R
 RoHS
 Push Button
 Switch Series
 Function:
 D=OFF-(ON)
 Button Color:
 R=Red G=Green B=Black
 BL=Blue O=Orange

ANGLE TOLERANCE	PROJECTION	Description:			
±3°		Push-Button Switch			
GENERAL TOLERANCE	UNITS	mm	KLS P/N:	L-KLS7-PBS-006D-X	
.x ±0.30	SHEET SIZE	A4			
.xx ±0.20	Draw:	WuHao	2025-02-18	NingBo KLS ELECTRONIC CO.,L TD.	
.xxx ±0.10	Check:	Daniel	2025-02-18		