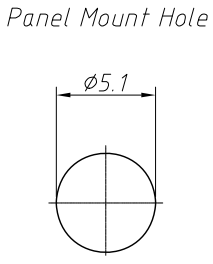
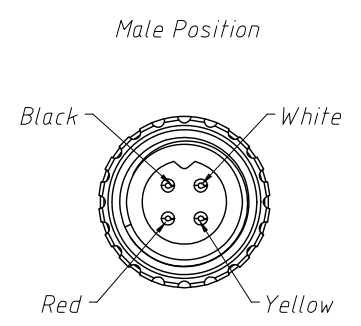
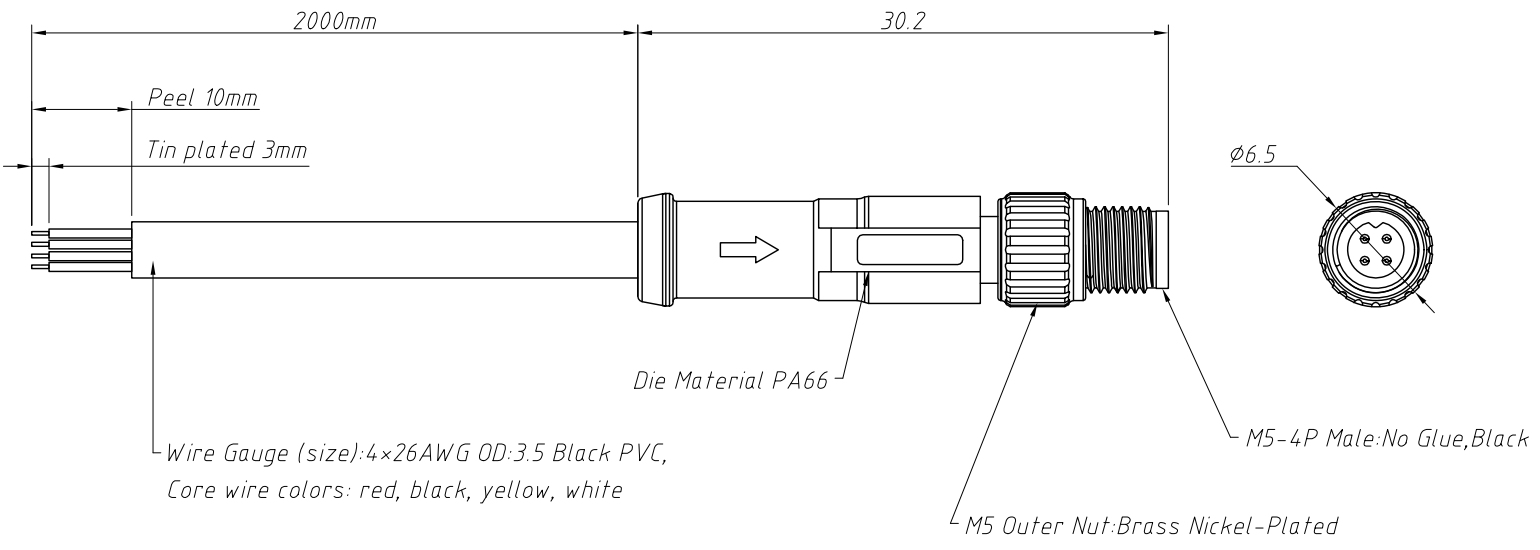


1
RoHS Compliance

7		8		
REV	SYM	Revision Record	Appr.	Date
V0	KLS15011	New Version Release	WuHao	2025-02-17



Electrical:
 Current Rating: 1A
 Voltage Rating: 60V
 Contact Resistance: 6mΩ Max
 Insulation Resistance: 100MΩ Min
 Waterproof Level: IP67
 Temperature Rating: -25°C ~ +80°C

ANGLE TOLERANCE	PROJECTION	Description:
±0.5°		M5 Plug Male Connector, Straight
GENERAL TOLERANCE	UNITS	mm
x. ±0.15	SHEET SIZE	A4
.x ±0.10	Draw:	WuHao 2025-02-17
.xx ±0.05	Check:	Daniel 2025-02-17
		KLS NingBo KLS ELECTRONIC CO.,LTD.

