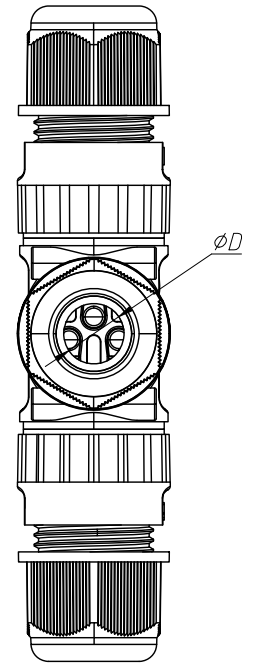
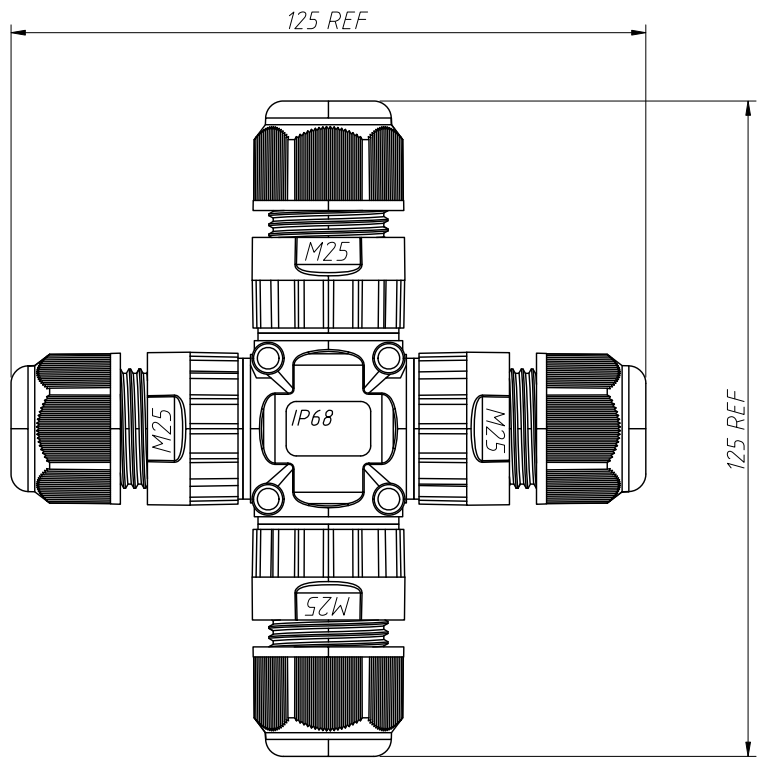


1
RoHS Compliance

| | | | |
|-----|----------|---------------------|------------|
| 7 | | 8 | |
| REV | SYM | Revision Record | Appr. |
| V0 | KLS33029 | New Version Release | Song |
| | | | Date |
| | | | 2025-02-17 |

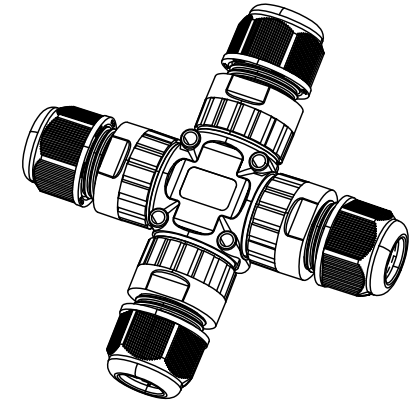
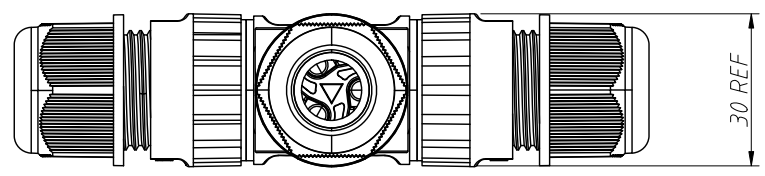


Material:
Housing: PA66,UL 94 V-0

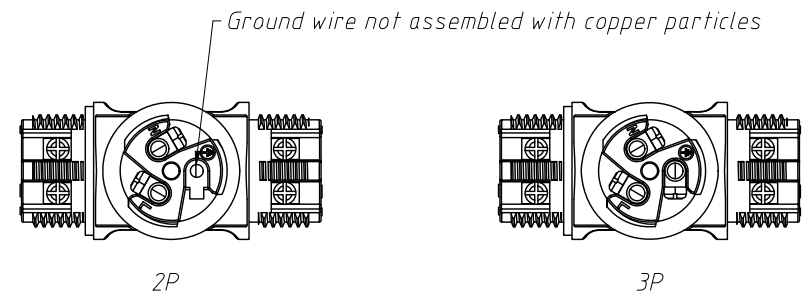
Electric:
Rated Current: 41A
Rated Voltage: AC 450V
Voltage Endurance: AC 2500V
Wire Diameter: 1.5-6mm²
Working Temperature: -40°C~+105°C
Protection Level: IP68
Compliant Standards: CQC/RoHS/CE

Order Information
L-KLS15-WEC09-M25-03-A

RoHS
Pos No.
Thread Specification: M25
No. of Pins (02P,03P)
Wire Diameter Range: A,B,C



| | |
|----------------------|------------------------|
| $\phi 8.5$ mm | $\phi 5\sim 9$ mm(A) |
| $\phi 12$ mm | $\phi 9\sim 12$ mm(B) |
| $\phi 14.5$ mm | $\phi 10\sim 14$ mm(C) |
| Rubber ring ϕD | Wire Diameter Range |



| | | | |
|-------------------|------------|--------------------------|------------------------|
| ANGLE TOLERANCE | PROJECTION | Description: | |
| $\pm 3^\circ$ | | M25 Waterproof Connector | |
| GENERAL TOLERANCE | UNITS | mm | KLS P/N: |
| x. ± 0.35 | SHEET SIZE | A4 | L-KLS15-WEC09-M25-XX-X |
| x.x ± 0.25 | Draw: | Song | 2025-02-17 |
| | Check: | Daniel | 2025-02-17 |

