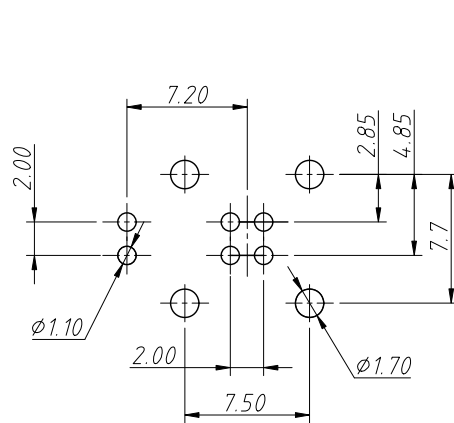
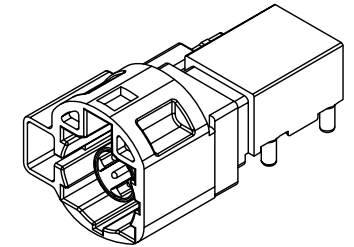
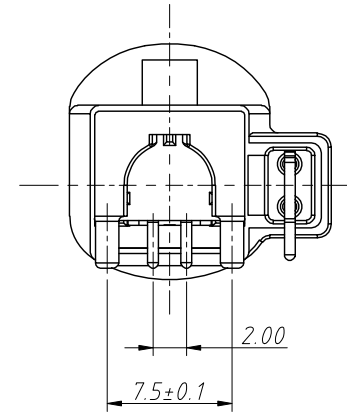
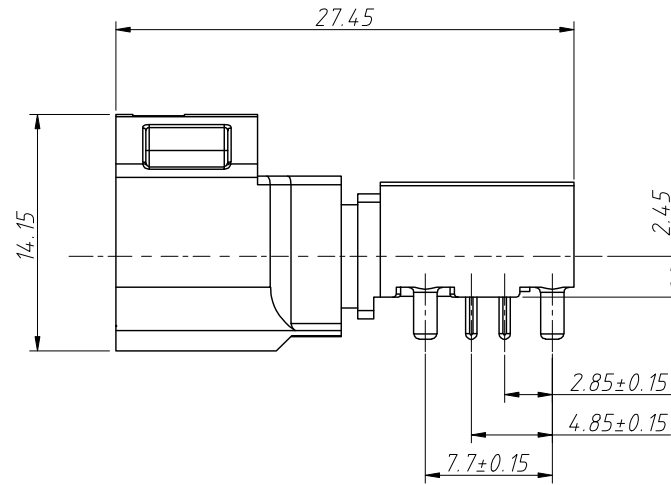
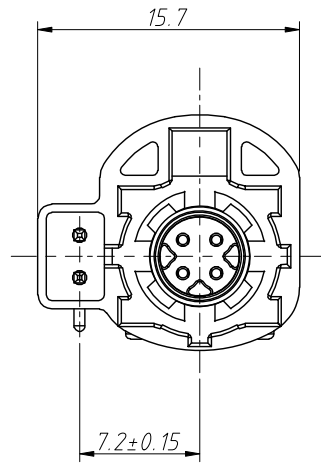
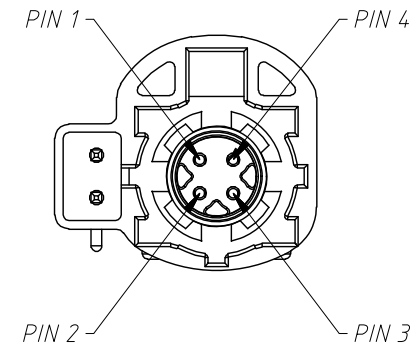
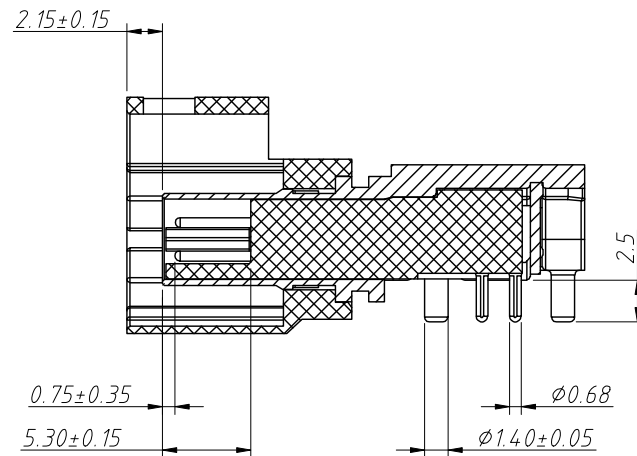


1  
RoHS Compliance

6	7	8
REV	SYM	Revision Record
V0	KLS01655	New Version Release
		Appr. Song
		Date 2025-02-14



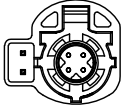

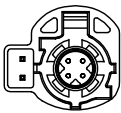
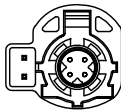
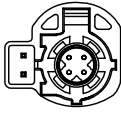
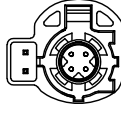
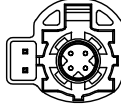
PCB LAYOUT



ANGLE TOLERANCE	PROJECTION	Description:	HSD FAKRA Connector Plug, Right Angle 4+2 pins
±3°			
GENERAL TOLERANCE	UNITS	mm	KLS P/N: L-KLS1-HSD-FAKRA04-A-XXXX-1
.x ±0.30	SHEET SIZE	A4	1 OF 2
.xx ±0.20	Draw:	Song	2025-02-14
.xxx ±0.10	Check:	Daniel	2025-02-14



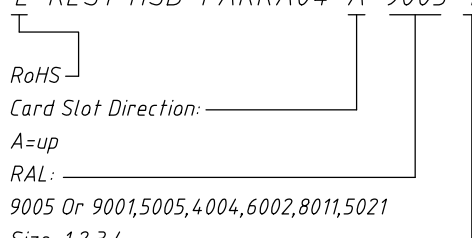
NingBo KLS ELECTRONIC CO.,L TD.

Card slot direction	Code	Color	RAL	Order Information
	A	Black	sim.9005	HSD-FAKRA04-A-9005-1
	B	White	sim.9001	HSD-FAKRA04-A-9001-1
	C	Blue	sim.5005	HSD-FAKRA04-A-5005-1
	D	Bordeaux Violet	sim.4004	HSD-FAKRA04-A-4004-1
	E	Green	sim.6002	HSD-FAKRA04-A-6002-1
	F	Brown	sim.8011	HSD-FAKRA04-A-8011-1
	Z	Water Blue	sim.5021	HSD-FAKRA04-A-5021-1

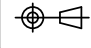
Material:  
Housing:PBT  
Dielectric:LCP  
Center contact,Copper alloy,Gold plating  
Outer contact,Zinc alloy,Tin plating

Technical:  
Impedance:100 ±5Ω  
Frequency:DC to 2 GHz  
Dielectric withstand voltage:250V Max  
Contact resistance:10 MILLIONHM Max  
Insulation impedance:1000 MEGOHMS Min  
Mating Cycles:25 Min  
Temperature Range:-40°C ~ +105°C

Order Information  
L-KLS1-HSD-FAKRA04-A-9005-1



RoHS  
Card Slot Direction:  
A=up  
RAL:  
9005 Or 9001,5005,4004,6002,8011,5021  
Size-1,2,3,4...

ANGLE TOLERANCE	PROJECTION	Description:	HSD FAKRA Connector Plug, Right Angle 4+2 pins
±3°			
GENERAL TOLERANCE	UNITS	mm	KLS P/N: L-KLS1-HSD-FAKRA04-A-XXXX-1
.x ±0.30	SHEET SIZE	A4	2 OF 2
.xx ±0.20	Draw:	Song	2025-02-14
.xxx ±0.10	Check:	Daniel	2025-02-14

