

RoHS Compliance

REV	SYM	Revision Record	Appr.	Date
V0	KLS12006	New Version Release	Song	2025-02-12

Material:

Housing:LCP,UL 94V-0 Black

Contact:C5191(QSn6.5-0.1)Phosphor Bronze,T=0.30mm

Gold Plating On Contact Area,

Tails Plating Tin Over Nickel

Shield:0.20mm Thickness H65Y Brass,Nickel Plated

Electrical:

Voltage Rating:125 VAC

Current Rating:1.5A

Contact Resistance:30mΩ Max

Insulation Resistance:500MΩ Min @500V DC

Dielectric Strength:1000V AC 50Hz or 60Hz,1Min

Mating/Unmating Force:20N Max

Retention Strength:50N pendant 60±5s

Operating Life:750 Cycles Min

Storage Temperature:-40°C~+85°C Relative Humidity<70%

Operation Temperature:-40°C~+85°C

Order Information

L-KLS12-SMT11-8P8C-E-G/O-01-R

RoHS

Contacts:8P8C

Shield Code:E=With EMI Shield

LED Code:(LED L/LED R)

G/Y-Green/Yellow Y/G-Yellow/Green

G/G-Green/Green Y/Y-Yellow/Yellow

R/G-Red/Green G/R-Green/Red

G/O-Green/Orange

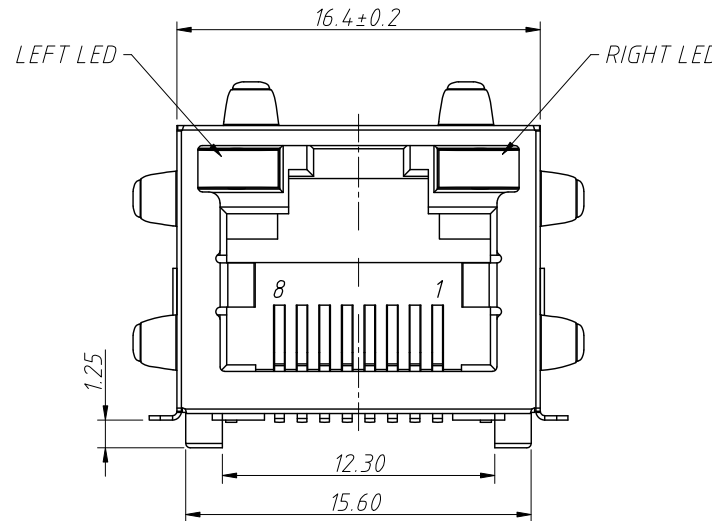
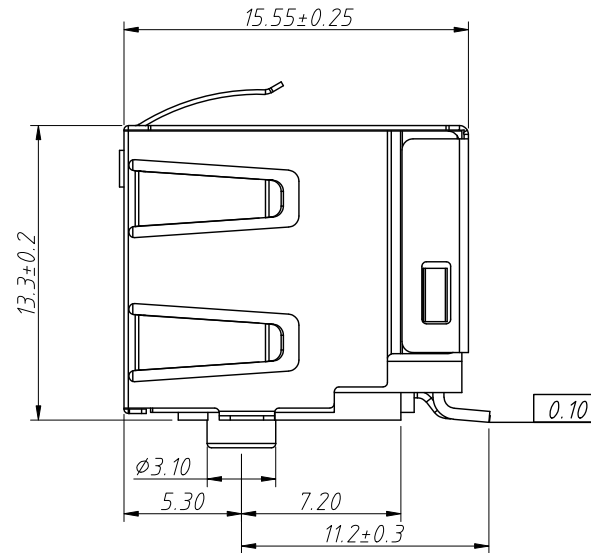
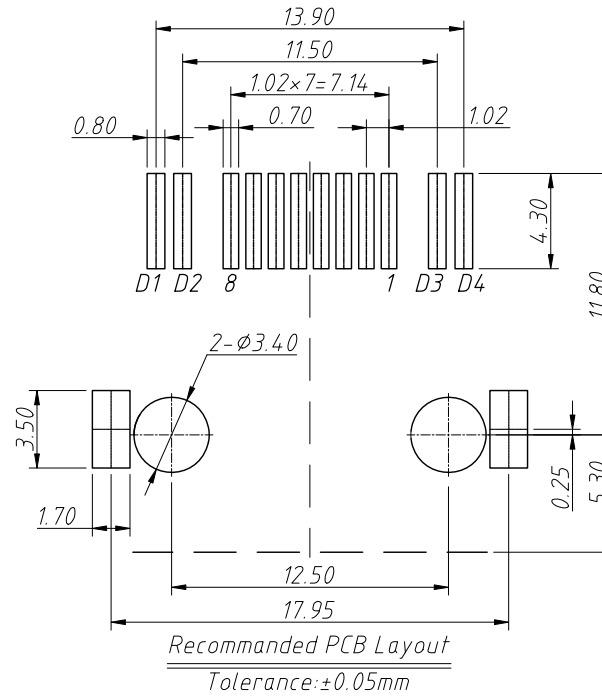
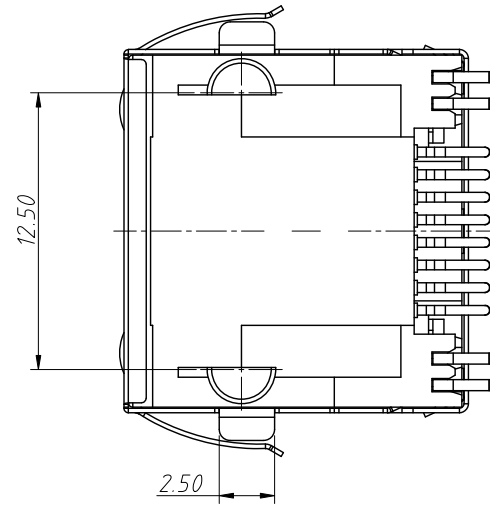
Plating Code:

01=Fu" Gold Plating 02=3u"Gold Plating

03=6u"Gold Plating 04=15u"Gold Plating

05=30u"Gold Plating

Packing:R=Reel P=Blister Tray



ANGLE TOLERANCE	PROJECTION	Description:	RJ45-8P8C SMD Jack
±3°			Horizontal,with Shielded & LED
GENERAL TOLERANCE	UNITS	mm	KLS P/N:
.x ±0.30	SHEET SIZE	A4	L-KLS12-SMT11-8P8C-E-X/X-XX-R
.xx ±0.20	Draw:	Song	2025-02-12
.xxx ±0.10	Check:	Daniel	2025-02-12



NingBo KLS ELECTRONIC CO.,LTD.