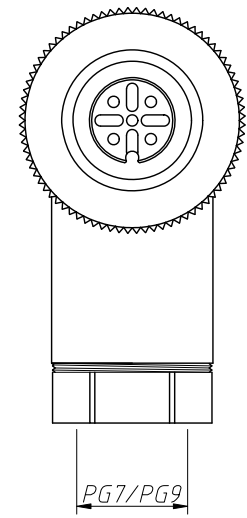
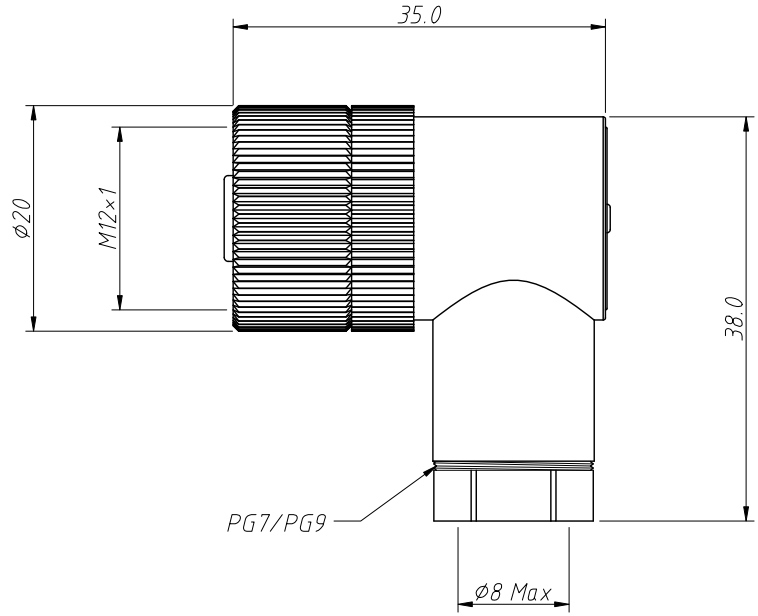


1
RoHS Compliance

REV	SYM	Revision Record	Appr.	Date
V0	KLS15024	New Version Release	Jenny	2025-02-12

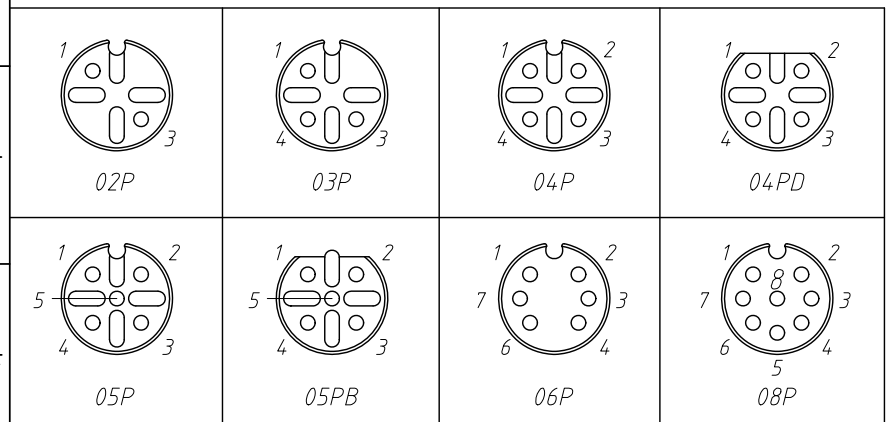


Material:
 Insulation: PA66, UL 94 V-0, Black.
 Connector Pin: Brass, Gold plated
 Shell: Brass, Nickel plated
 Sealing material: Rubber, Black

Electrical Characteristics:
 Contact Resistance: $5m\Omega$ Max
 Insulation resistance: $100M\Omega$ Min

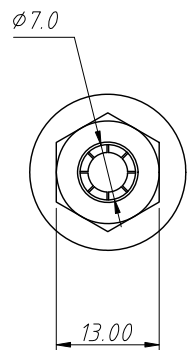
Mechanical properties:
 IP rating: IP67
 Operating Temperature: $-25^{\circ}C \sim +80^{\circ}C$
 Plugging and unplugging cycle: 500 cycles min

Pin Position Layout

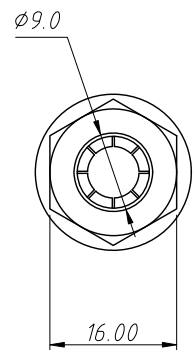


No. of Pin	02 P	03 P	04 P	05 P	06 P	08 P
Rated current	4A		4A		2A	
Rated voltage	250V		60V		30V	
Rated impulse voltage	2500V		1500V		800V	

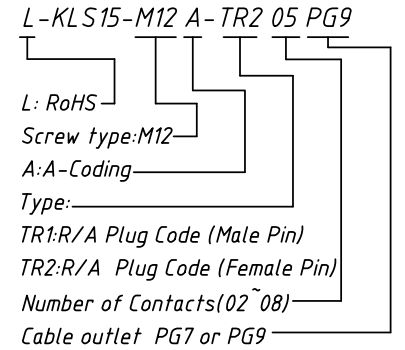
Cable outlet PG7



Cable outlet PG9

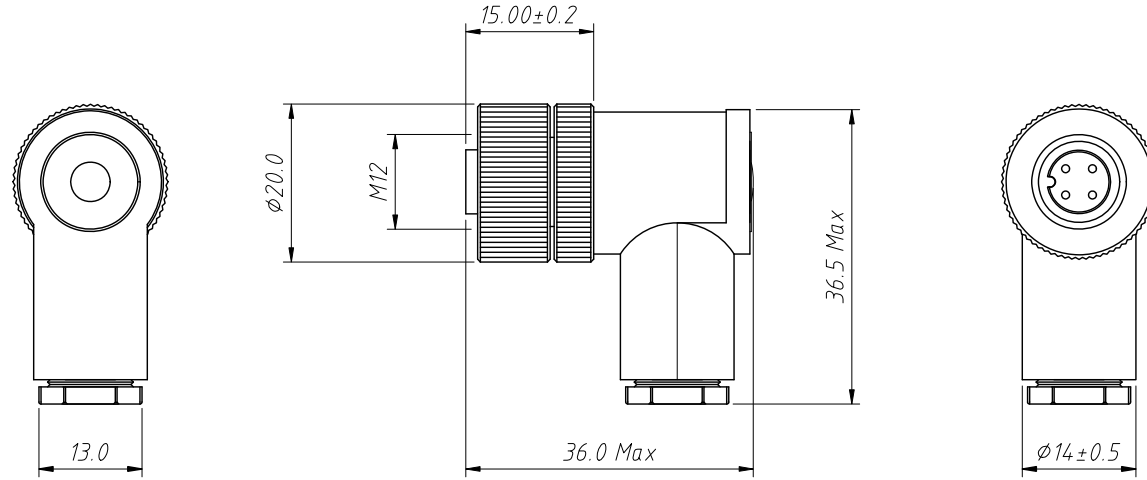


Order Information:



ANGLE TOLERANCE	PROJECTION	Description:
$\pm 3^{\circ}$		M12 A-Coding Plug Female Connector
GENERAL TOLERANCE	UNITS	mm
x.x ± 0.30	SHEET SIZE	A4
x.xx ± 0.20	Draw:	Jenny 2025-02-12
x.xxx ± 0.10	Check:	Daniel 2025-02-12
		KLS NingBo KLS ELECTRONIC CO.,L TD.

1 RoHS Compliance



Material:

Insulation: PBT/PA, UL 94 V-0, Black.

Connector Pin: Brass, 0.025u" Gold plated

Nut/Screw: Brass, Nickel plating

Electrical Characteristics:

Contact Resistance: 5mΩ Max

Insulation resistance: 100 MΩ Min

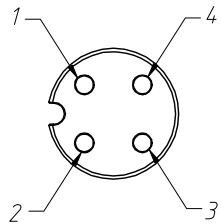
Mechanical properties:

IP rating: IP67

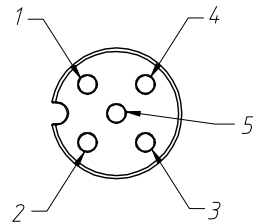
Wire gauge: 24AWG/0.25mm²

Mechanical characteristics: mating/cycle > 100 cycle

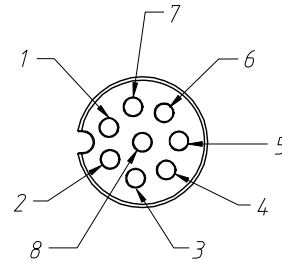
Operating Temperature: -40°C ~ +85°C



L-KLS15-M12A-TR204PG7



L-KLS15-M12A-TR205PG7



L-KLS15-M12A-TR208PG7

Order Information:

L-KLS15-M12 A-TR2 04 PG7

L: RoHS

Screw type: M12

A: A-Coding

Type:

TR1: R/A Plug Code (Male Pin)

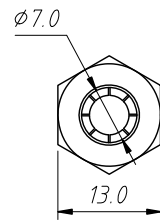
TR2: R/A Plug Code (Female Pin)

Number of Contacts:

(04P 05P 08P)]

Cable outlet PG7 or PG9

No. of Pin	04 P	05 P	08 P
Rated current	4A	4A	2A
Rated voltage	250V	60V	30V



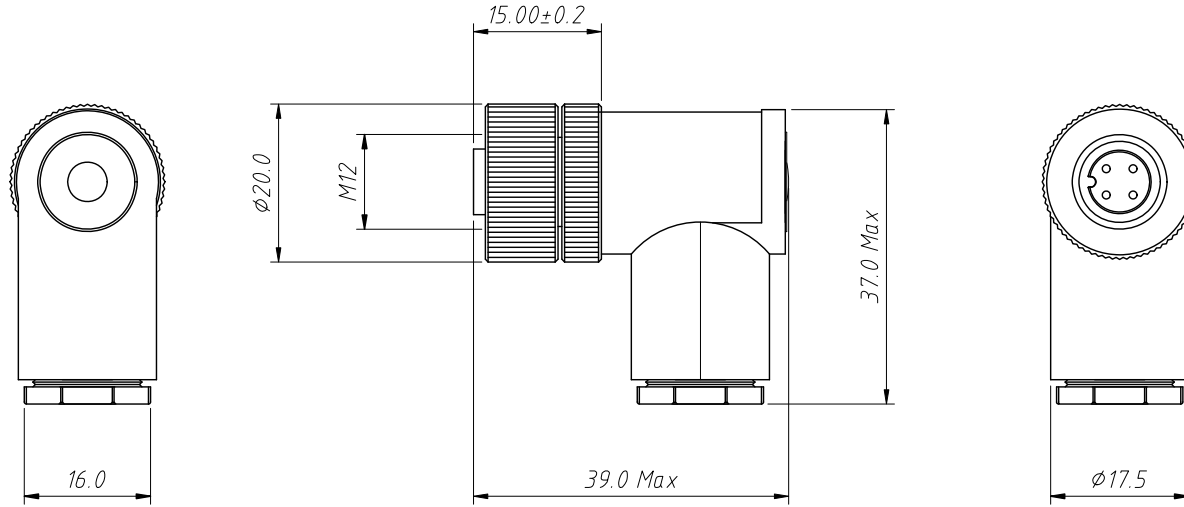
Cable outlet PG7

ANGLE TOLERANCE	PROJECTION	Description:
±3°		M12 IP67 Waterproof circular plug Female connector
GENERAL TOLERANCE	UNITS	mm
x.x ±0.30	SHEET SIZE	A4
x.xx ±0.20	Draw:	Daniel 2022-04-01
x.xxx ±0.10	Check:	Daniel 2022-04-01



NingBo KLS ELECTRONIC CO., L TD.

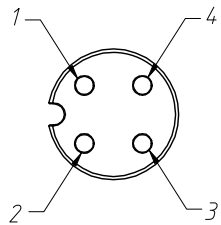
1 RoHS Compliance



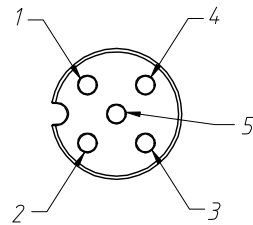
Material:
 Insulation: PBT/PA, UL 94 V-0, Black.
 Connector Pin: Brass, 0.025u" Gold plated
 Nut/Screw: Brass, Nickel plating

Electrical Characteristics:
 Contact Resistance: 5mΩ Max
 Insulation resistance: 100 MΩ Min

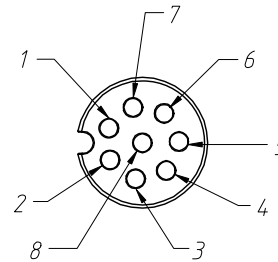
Mechanical properties:
 IP rating: IP67
 Wire gauge: 24 AWG/0.25mm²
 Mechanical characteristics: mating/cycle > 100 cycle
 Operating Temperature: -40°C ~ + 85°C



L-KLS15-M12A-TR204PG9



L-KLS15-M12A-TR205PG9



L-KLS15-M12A-TR208PG9

Order Information:

L-KLS15-M12 A-TR2 04 PG9

L: RoHS

Screw type: M12

A: A-Coding

Type:

TR1: R/A Plug Code (Male Pin)

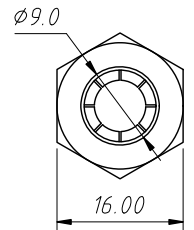
TR2: R/A Plug Code (Female Pin)

Number of Contacts:

(04P 05P 08P)]

Cable outlet PG7 or PG9

No. of Pin	04 P	05 P	08 P
Rated current	4A	4A	2A
Rated voltage	250V	60V	30V



Cable outlet
PG9

ANGLE TOLERANCE	PROJECTION	Description:
±3°		M12 IP67 Waterproof circular plug Female connector
GENERAL TOLERANCE	UNITS	mm
x.x ±0.30	SHEET SIZE	A4
x.xx ±0.20	Draw:	Daniel 2022-04-01
x.xxx ±0.10	Check:	Daniel 2022-04-01



NingBo KLS ELECTRONIC CO., L TD.