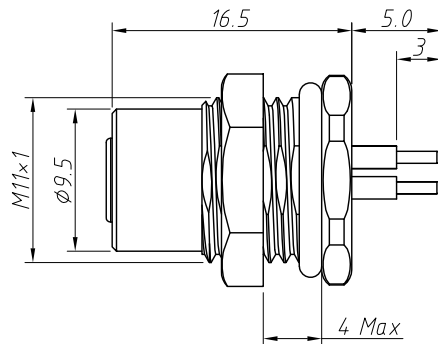
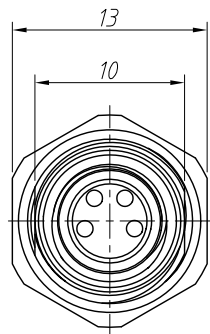


1 RoHS Compliance

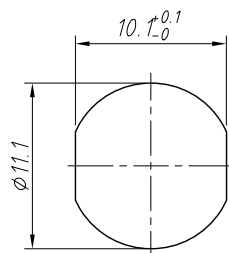


REV	SYM	Revision Record	Appr.	Date
V0	KLS15024	New Version Release	WuHao	2025-02-11

Material:
 Insulator:PA,Black
 Contact:Phosphor copper,Gild Plated,G/F
 Shell:Brass,Nickel plating
 Sealing Ring:Rubber
 Female Core:Phosphor copper,Gild Plated,G/F
 Hexagon Nut:Brass,Nickel plating

Electric:
 Insulation Resistance: 100M Ω MIN
 Contact Resistance: 10m Ω Max
 Life:1000 Mate/Unmate Cycles
 Temp. Range:-25 $^{\circ}$ C ~ +80 $^{\circ}$ C
 Salt Spray Test:48h Min
 Water Proof:IP67

Recommended Panel Cut-Out



Insulator Coded

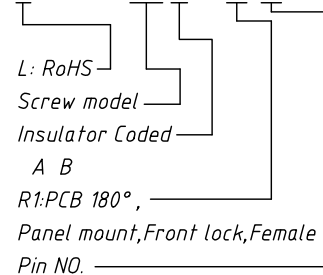
Coded	
A	
B	

NO.Of Contacts

Series	03	04	05	06	08
Pin Number					
Conductor size	24AWG	24AWG	24AWG	26AWG	26AWG
Pin size	1.0mm	1.0mm	1.0mm	0.7mm	0.6mm
Rated current	3A	3A	3A	1A	1A
Rated Voltage	60V	30V	30V	30V	30V
PCB Layout (Front View)					

Order Information:

L-KLS15-M8 A- S1 04



ANGLE TOLERANCE	PROJECTION	Description:	Fixed Socket,PCB 180°, Panel mount,Front lock,Female
$\pm 3^{\circ}$			
GENERAL TOLERANCE	UNITS	mm	KLS P/N:
.x ± 0.35	SHEET SIZE	A4	L-KLS15-M8X-S1XX
.xx ± 0.25	Draw:	WuHao	2025-02-11
.xxx ± 0.10	Check:	Daniel	2025-02-11



NingBo KLS ELECTRONIC CO.,L TD.