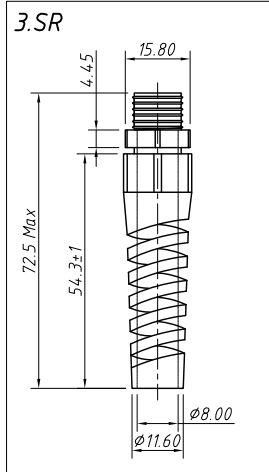
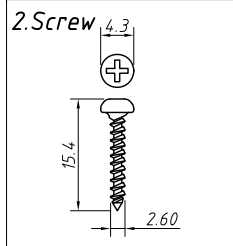
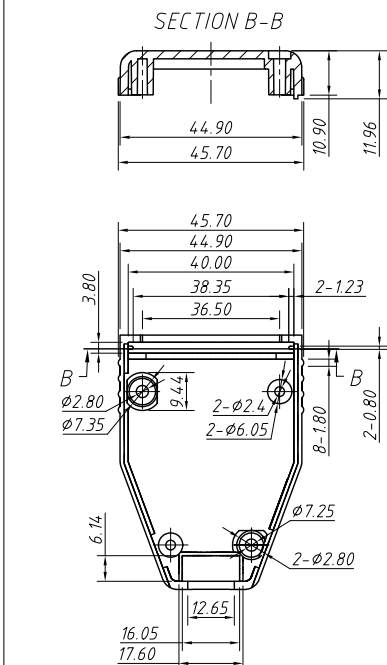
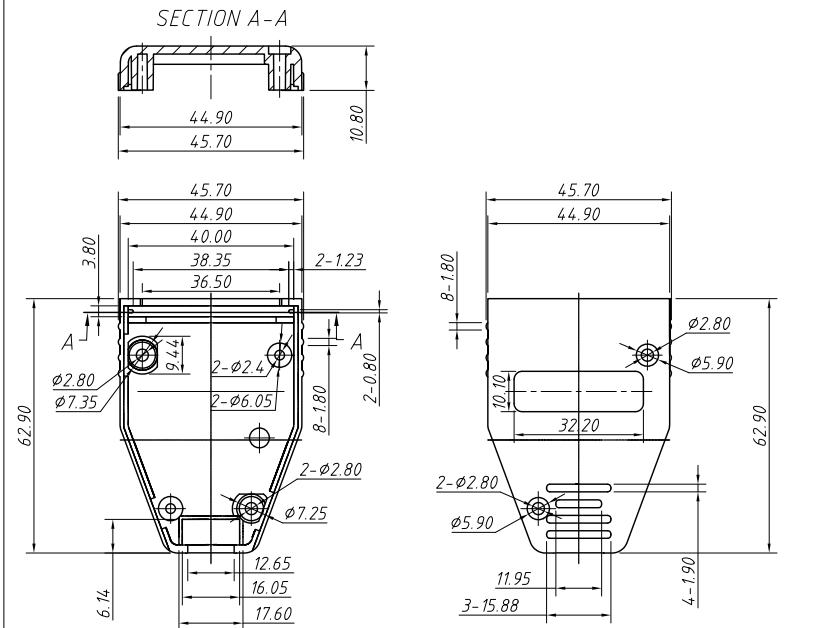
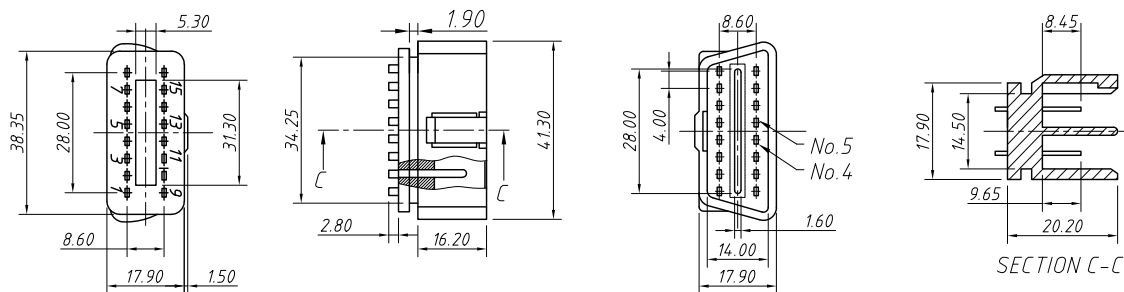


1 RoHS Compliance

1.Shell



4.Rubber Core



Material:  
 Shell:PC+ABS,Black,UL 94-V0  
 Screw:Mild Steel,Black Scale Plated  
 SR:Nylon  
 Rubber Core:PC+ABS,Black  
 Terminal:Brass,Nickel Plated,60u" Min  
 Pin 4&Pin 5:Long Needle,T=0.8mm,W=1.8mm  
 Inner Cavity Exposed Size:9.65mm  
 Needle Point:W=1.8mm  
 Total Length:19.6mm  
 Other Pin.,T=0.8mm,W=1.8mm  
 Inner Cavity Exposed Size:9.65mm  
 Needle Point:W=1.8mm  
 Total Length:18.3mm

Electric:  
 Shell:  
 Temperature Resistance:100°C~105°C  
 Ambient Temperature:-20°C~+85°C  
 Rubber Core:  
 Withstand voltage:1000V AC/60S  
 Impedance:100mΩ Max  
 Insulation Resistance:500V DC,100MΩ Min  
 Rated Current:5A  
 Wire Range:φ1.2~φ2.6mm  
 Ambient Temperature:-20°C~+85°C

REV	SYM	Revision Record	Appr.	Date
V0	KLS01179	New Version Release	WuHao	2025-02-12

ANGLE TOLERANCE	PROJECTION	Description:		
±3°		OBD II 16P Male Assemblies Type		
GENERAL TOLERANCE	UNITS	mm	KLS P/N:	L-KLS1-OBD-16MA
.x ±0.30	SHEET SIZE	A4		
.xx ±0.20	Draw:	WuHao	2025-02-12	
.xxx ±0.10	Check:	Daniel	2025-02-12	

NingBo KLS ELECTRONIC CO.,L TD.