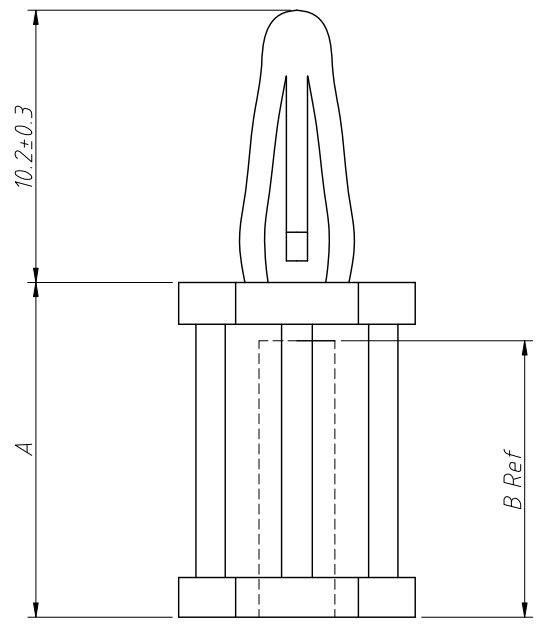
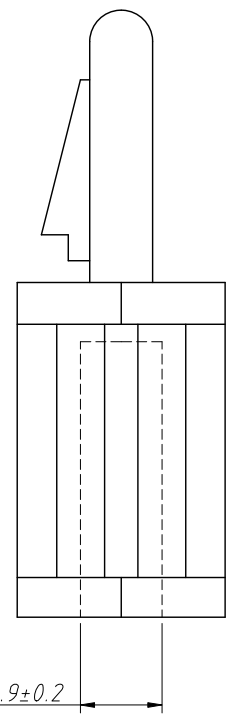


1  
RoHS Compliance

|     |          |                     |  |       |            |
|-----|----------|---------------------|--|-------|------------|
| 6   |          | 7                   |  | 8     |            |
| REV | SYM      | Revision Record     |  | Appr. | Date       |
| V0  | KLS08052 | New Version Release |  | Song  | 2025-02-12 |

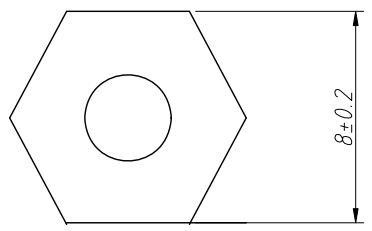


PCB Hole:  $\phi 4$   
PCB Thickness: 1.6mm



Notes:  
1. Material: NYLON66, UL 94 V-2, Natural  
2. Shrinking Is Normal Status  
3. Made Of Equivalent Material

| ITEM  | A    | B    |
|-------|------|------|
| BD-06 | 6.4  | 4.8  |
| BD-09 | 9.5  | 8.0  |
| BD-13 | 12.7 | 11.0 |
| BD-14 | 14.0 | 12.7 |
| BD-15 | 15.9 | 13.0 |
| BD-19 | 19.1 | 16.2 |
| BD-22 | 22.2 | 19.4 |
| BD-25 | 25.4 | 24.0 |
| BD-28 | 28.6 | 25.9 |
| BD-29 | 29.0 | 25.9 |



|                   |            |            |        |                   |  |
|-------------------|------------|------------|--------|-------------------|--|
| ANGLE TOLERANCE   |            | PROJECTION |        | Description:      |  |
| $\pm 3^\circ$     |            |            |        | PCB Spacer Column |  |
| GENERAL TOLERANCE |            | UNITS      | mm     | KLS P/N:          |  |
| .x                | $\pm 0.30$ | SHEET SIZE | A4     | L-KLS8-0250-BD-XX |  |
| .xx               | $\pm 0.20$ | Draw:      | Song   | 2025-02-12        |  |
| .xxx              | $\pm 0.10$ | Check:     | Daniel | 2025-02-12        |  |

**KLS** NingBo KLS ELECTRONIC CO.,L TD.