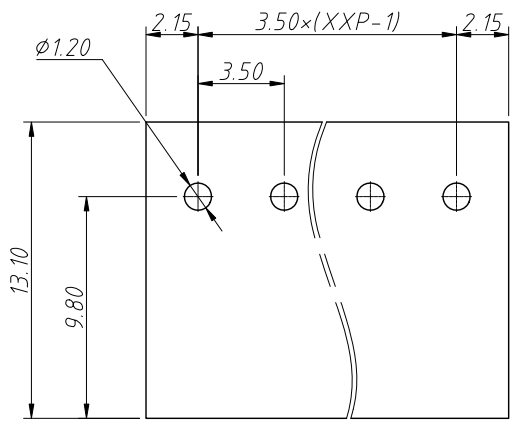
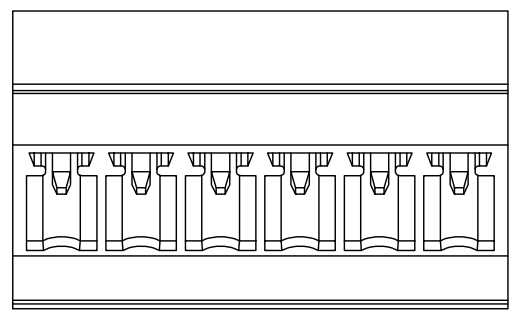


1
RoHS Compliance

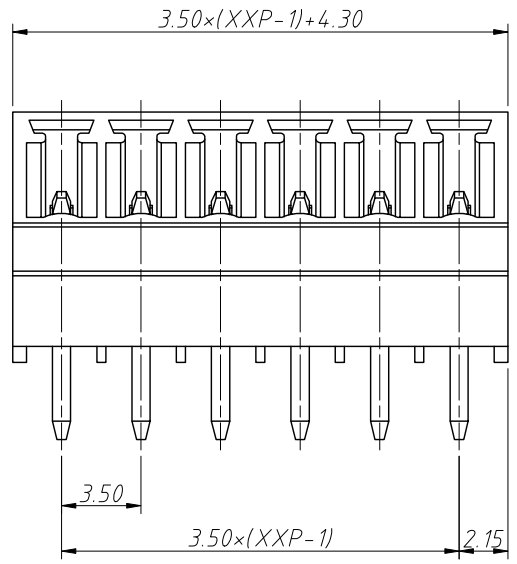
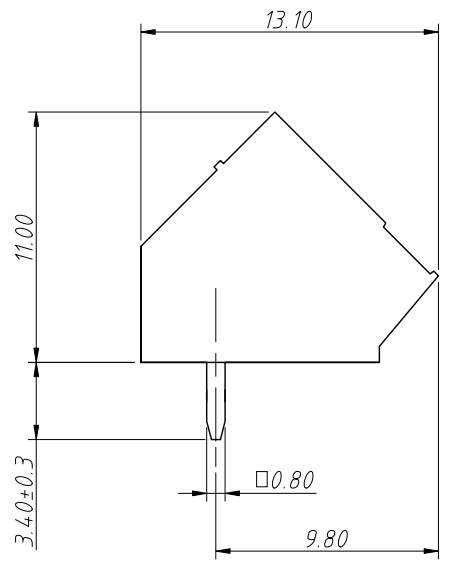
2		3		4		5		6		7		8	
REV	SYM	Revision Record		Appr.	Date								
V0	KLS02006	New Version Release		Jenny	2025-02-11								
Electrical Characteristics				UL		IEC							
Rated Voltage				300V		160V							
Rated Current				8A		7A							
Withstand Voltage				AC 1600V/1 min		2.5KV							



Recommended PCB Layout



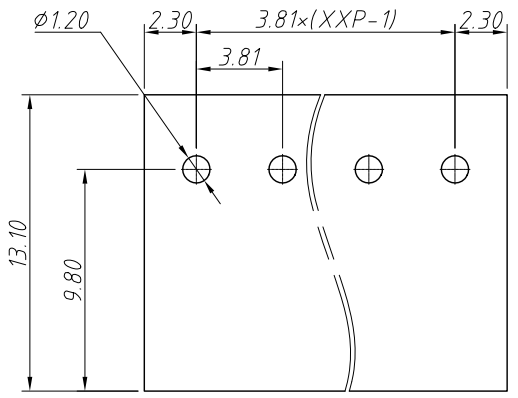
Material and other:
 Housing:PA66, UL94V-0
 Pin Header:Copper Alloy,Sn Plated
 Operating temperature:-40°C ~ +105°C
 Soldering temperature:+260°C For 5 Sec



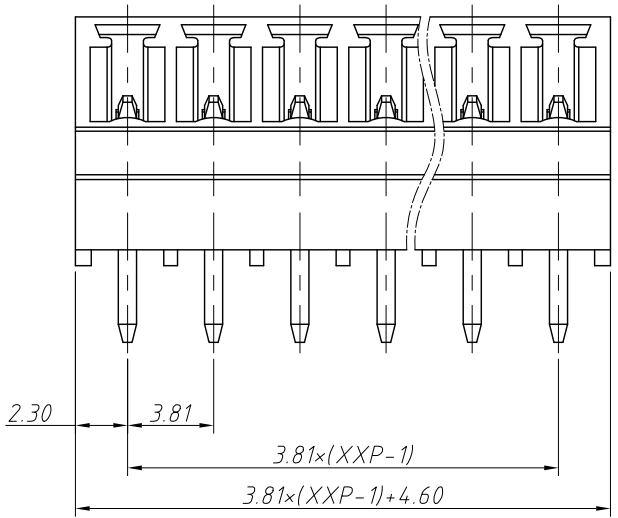
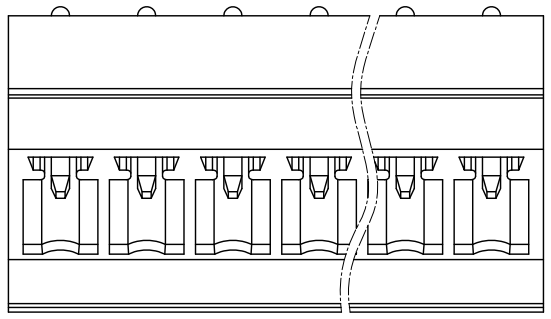
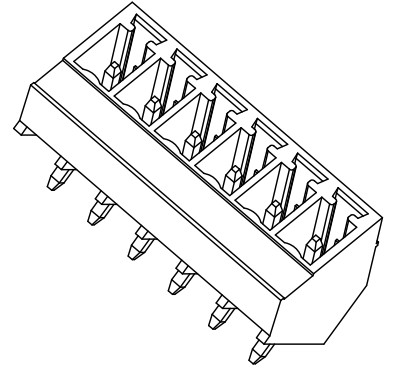
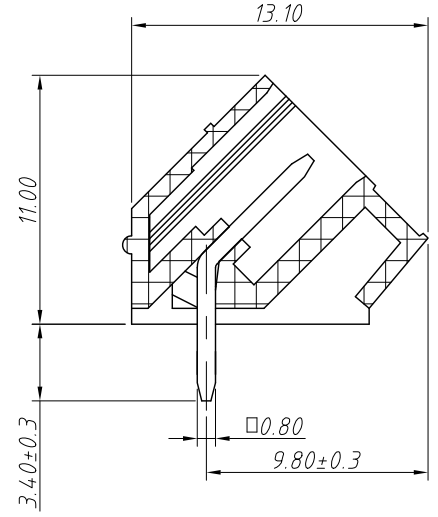
Order Information
L-KLS2-EDY-3.50-XXP-X
 RoHS
 Terminal Block
 Pitch:3.50mm
 No. Of (02~24) Pin
 Color:
 1=Gray 2=Blue 3=Black
 4=Green 5=Orange 6=Red
 7=Transp 8=Yellow 9=White

ANGLE TOLERANCE		PROJECTION		Description:							
±3°				Pitch 3.50mm Terminal Block							
GENERAL TOLERANCE		UNITS		KLS P/N:		L-KLS2-EDY-3.50-XXP-X					
0~30 ±0.50		SHEET SIZE		A4							
30~60 ±0.75		Draw:		Jenny		2025-02-11					
60~90 ±1.00		Check:		Daniel		2025-02-11		NingBo KLS ELECTRONIC CO.,L TD.			

1
RoHS Compliance



Recommended PCB Layout

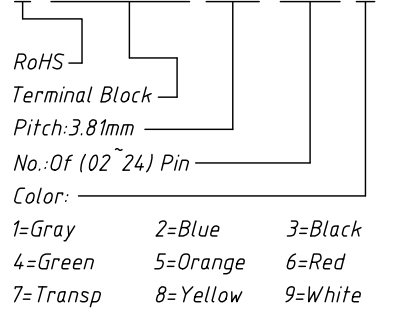


6		7		8	
REV	SYM	Revision Record		Appr.	Date
V0	KLS02006	New Version Release		WuHao	2024-11-06

Electrical Characteristics	UL	IEC
Rated Voltage	300V	250V
Rated Current	8A	7A
Withstand Voltage	AC 2000V/1 min	---

Material and other:
 Housing:PA66, UL 94V-0
 Pin Header:Copper Alloy,Sn Plated
 Contact resistance:20mΩ MAX
 Insulation resistance:500MΩ/DC500V
 Temp. Range:-40°C ~ +105°C
 Soldering:+250°C For 5 Sec

Order Information
 L-KLS2-EDY-3.81-XXP-X



ANGLE TOLERANCE	PROJECTION	Description:			
±3°		Pitch 3.81mm Terminal Block			
GENERAL TOLERANCE	UNITS	mm	KLS P/N:		
0~30 ±0.50	SHEET SIZE	A4	L-KLS2-EDY-3.81-XXP-X		
30~60 ±0.75	Draw:	WuHao	2024-11-06		
60~90 ±1.00	Check:	Daniel	2024-11-06	NingBo KLS ELECTRONIC CO.,L TD.	