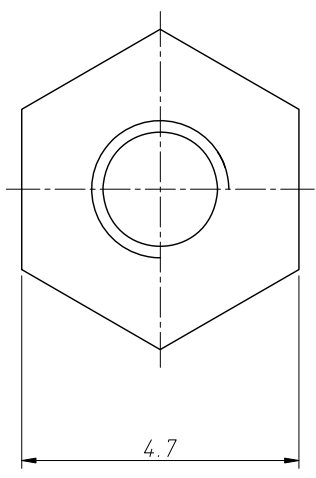
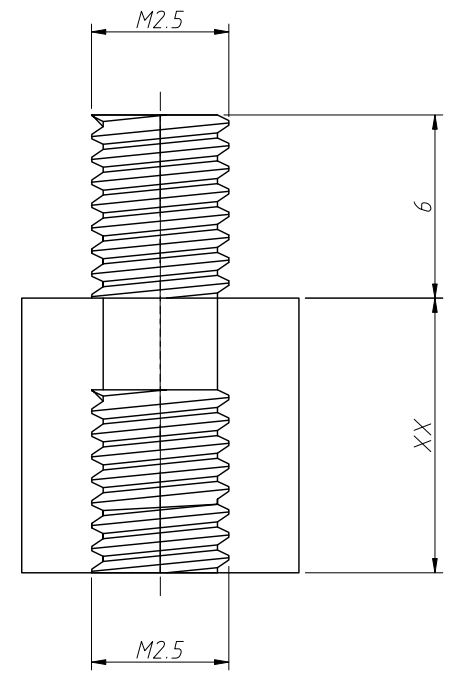


1  
RoHS Compliance

6	7	8
REV	SYM	Revision Record
V0	KLS08269	New Version Release
		Appr. Song
		Date 2025-02-08



Notes:  
 1. Material: NYLON66, UL 94 V-2, Nature/Black  
 2. As a fixed part between the PC board and the motherboard, the hexagonal shape does not slide  
 3. Working Temperature: -20°C ~ 120°C

Order Information  
 L-KLS8-0214-M2.5-18-(B)  
 RoHS  
 Length(XX): 1-30  
 (Increase by 1mm Each)  
 Color: Blank= Nature  
 B=Black

ANGLE TOLERANCE	PROJECTION	Description:	PCB Spacer Column		
±3°					
GENERAL TOLERANCE					
0-6 ±0.10	UNITS	mm	KLS P/N:	L-KLS8-0214-M2.5-XX-(B)	
6-20 ±0.15	SHEET SIZE	A4			
20-50 ±0.20	Draw:	Song	2025-02-08	NingBo KLS ELECTRONIC CO.,L TD.	
50-100 ±0.30	Check:	Daniel	2025-02-08		