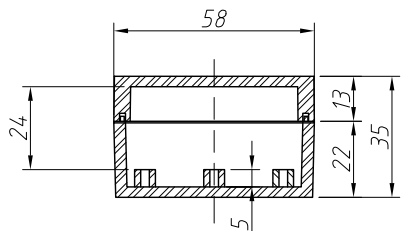
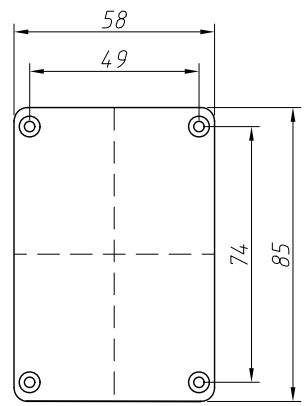
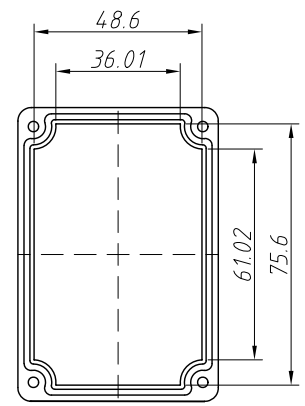
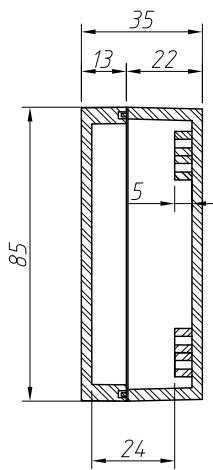
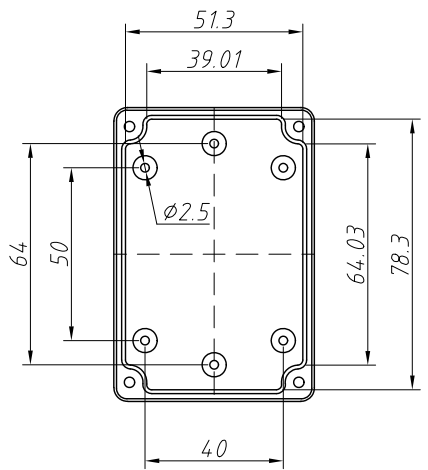
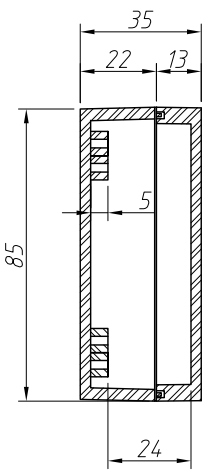
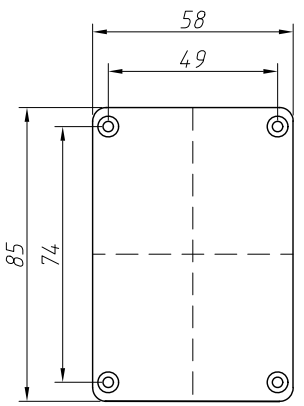
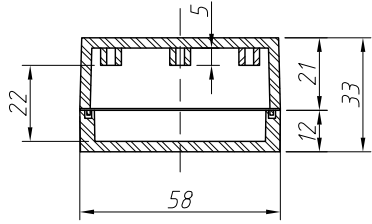


REV	SYM	Revision Record	Appr.	Date
V0	KLS24002	New Version Release	WuHao	2025-02-07

Material:
shell:IP65,Off-white



ANGLE TOLERANCE	PROJECTION	Description:
$\pm 3^\circ$		84x58x34mm Waterproof Enclosure
GENERAL TOLERANCE	UNITS	KLS P/N:
.x ± 0.30	SHEET SIZE	A4
.xx ± 0.20	Draw:	WuHao 2025-02-07
.xxx ± 0.10	Check:	Daniel 2025-02-07

