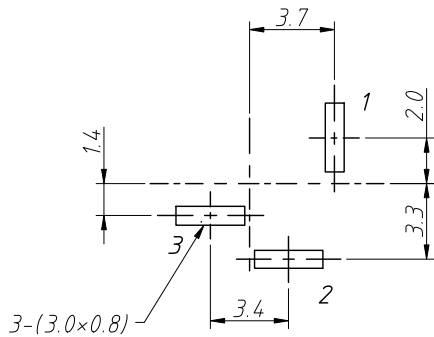
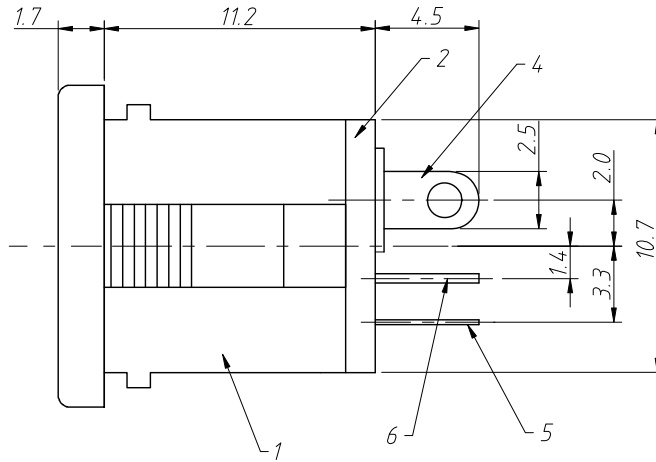
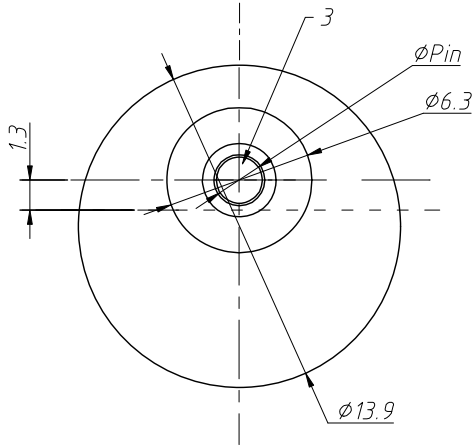
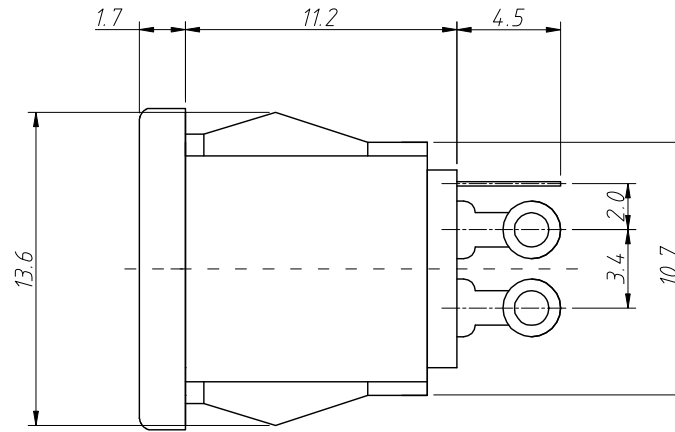


1 RoHS Compliance

7		8		
REV	SYM	Revision Record	Appr.	Date
V0	KLS01129	New Version Release	Song	2024-12-03



Recommended PCB Layout  
Tolerance: ±0.1mm

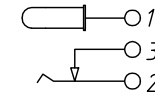


Material:

- 1.Base:PBT, Black
- 2.Cover:Insulation Board, Yellow
- 3.PIN:H65 Brass, Tin-Plating
- 4.1# Foot:C5210 Brass=0.3, Tin-Plating
- 5.2# Foot:Manganese steel=0.25, Tin-Plating
- 6.3# Foot:C5210 Brass=0.3, Tin-Plating

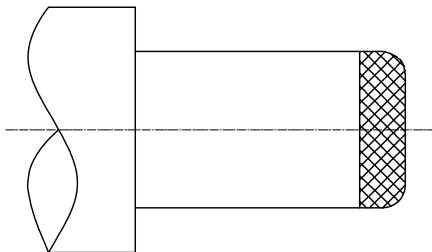
Electric:

- Rated:DC12V 1A
- Contact Resistance:50 mΩ Max
- Insulator Resistance:100 MΩ Min
- Withstand Voltage:AC 500V For 1 minute Without Flashover Or Breakdown
- Durability:5000, 10~20 Cycles/min
- Insertion Force:2.94~29.4N (0.3~3.0kgf)
- Pullout Force:2.94~29.4N (0.3~3.0kgf)
- Temperature:-25°C ~ +85°C

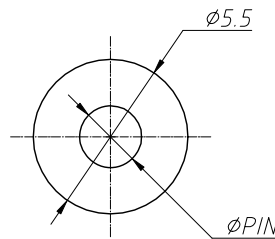


CIRCUIT DIAGRAM

φPIN	φ1.65	φ2.0	φ2.35	φ2.5
Item	DC-035-1.65	DC-035-2.0	DC-035-2.35	DC-035-2.5



DC MATE PLUG



ANGLE TOLERANCE	PROJECTION	Description:	DC Power Jack	
±3°				
GENERAL TOLERANCE	UNITS	mm	KLS P/N:	L-KLS1-DC-035-XX
.x ±0.30	SHEET SIZE	A4		
.xx ±0.20	Draw:	Song	2024-12-03	NingBo KLS ELECTRONIC CO.,L TD.
.xxx ±0.10	Check:	Daniel	2024-12-03	