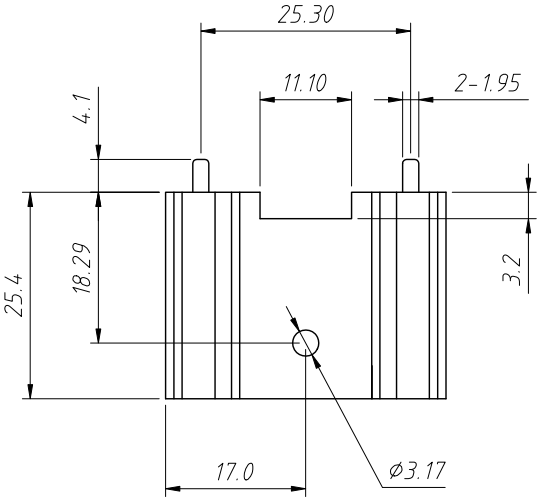
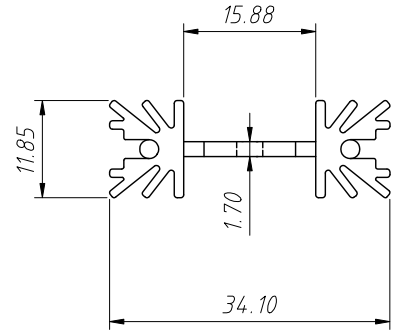


1
RoHS Compliance

| | | |
|-------|----------|---------------------|
| 6 | 7 | 8 |
| REV | SYM | Revision Record |
| V0 | KLS20064 | New Version Release |
| Appr. | Jenny | Date |
| | | 2024-11-08 |



Technical requirement:
 Height: 25.4mm
 Type: Board Level
 Package Cooled: TO-220
 Attachment Method: PCin
 Shape: Rectangular, Fins
 Material: Aluminum
 Material Finish: BA-Black Anodized

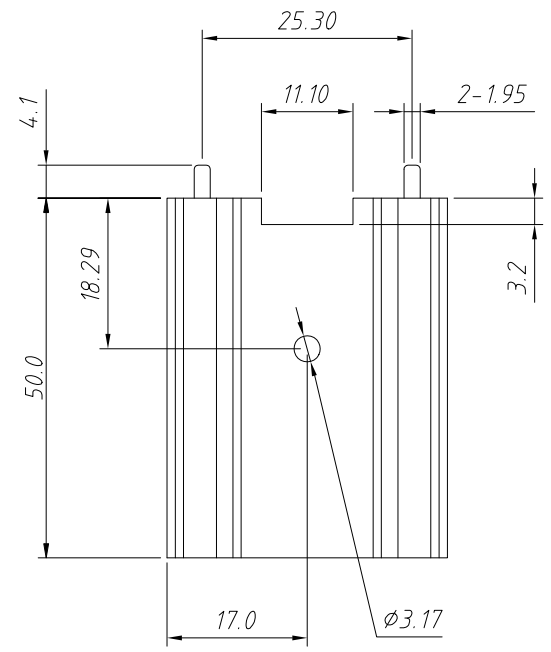


| | | |
|-------------------|------------|------------------------------------|
| ANGLE TOLERANCE | PROJECTION | Description: |
| $\pm 3^\circ$ | | Extruded style heatsink for TO-220 |
| GENERAL TOLERANCE | UNITS | mm |
| x.x ± 0.30 | SHEET SIZE | A4 |
| x.xx ± 0.20 | Draw: | Jenny 2024-11-08 |
| x.xxx ± 0.10 | Check: | Daniel 2024-11-08 |
| | | NingBo KLS ELECTRONIC CO.,LTD. |

KLS
 NingBo KLS ELECTRONIC CO.,LTD.

1
RoHS Compliance

| | | | | | |
|-----|----------|---------------------|--|-------|------------|
| 6 | | 7 | | 8 | |
| REV | SYM | Revision Record | | Appr. | Date |
| V0 | KLS20064 | New Version Release | | Song | 2025-02-08 |
| | | | | | |



Material Finish: BA-Black Anodized

Type: Board Level
 Package Cooled: T0-220
 Attachment Method: PC in
 Shape: Rectangular, Fins
 Material: Aluminum
 Material Finish: Black Anodized

| | | | | | |
|-------------------|------------|------------------------------------|------------|---------------------------------|--|
| ANGLE TOLERANCE | PROJECTION | Description: | | | |
| $\pm 3^\circ$ | | Extruded style heatsink for T0-220 | | | |
| GENERAL TOLERANCE | UNITS | mm | KLS P/N: | L-KLS21-E1002-BA-H50-T0-220 | |
| .x ± 0.30 | SHEET SIZE | A4 | | NingBo KLS ELECTRONIC CO.,L TD. | |
| .xx ± 0.20 | Draw: | Song | 2025-02-08 | | |
| .xxx ± 0.10 | Check: | Daniel | 2025-02-08 | | |