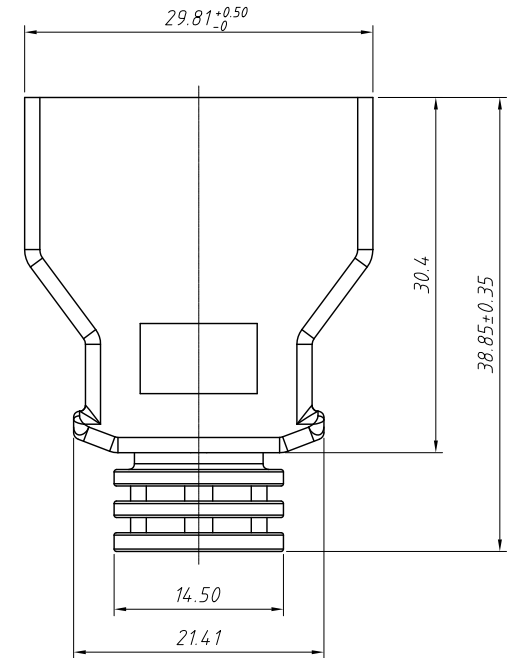
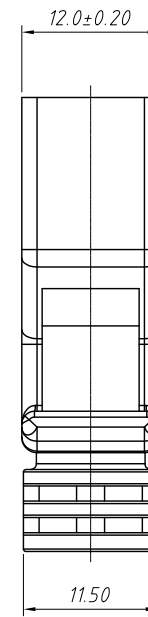
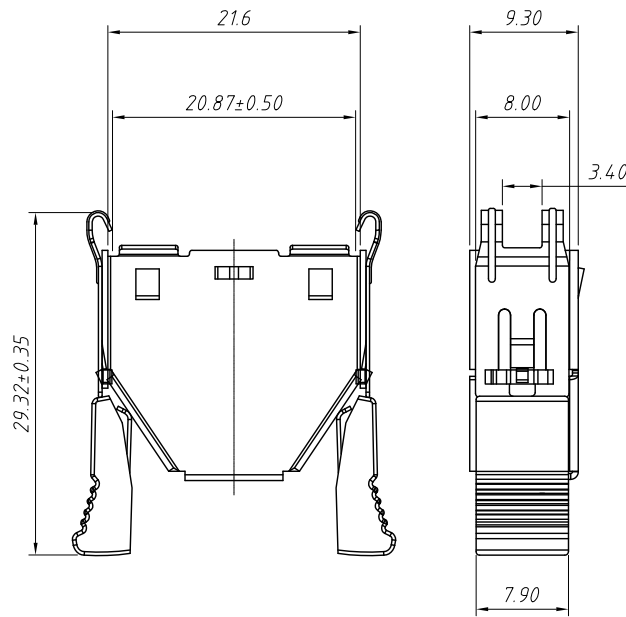
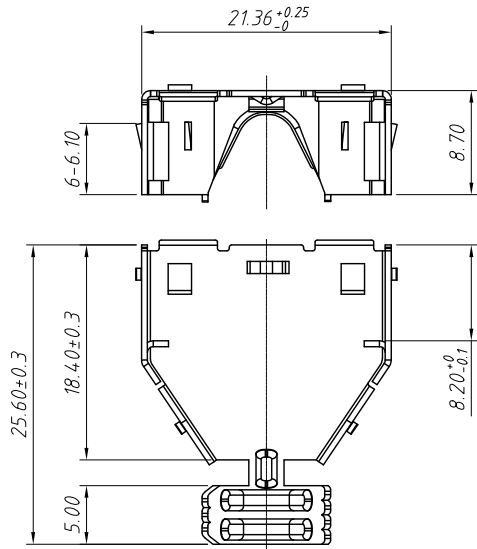


RoHS Compliance



**Material and Finish:**

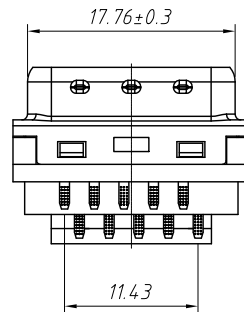
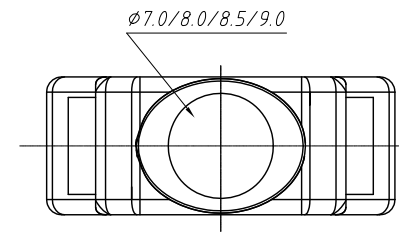
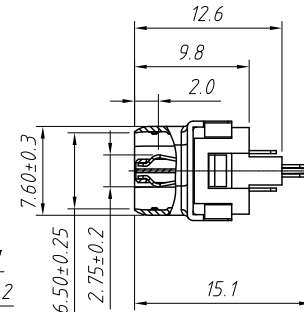
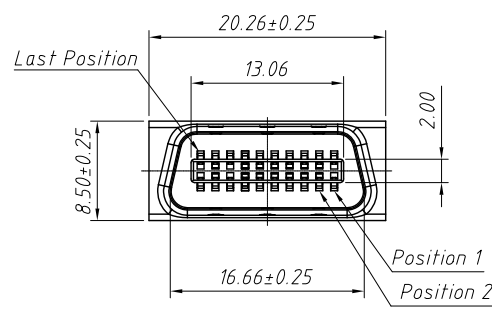
1. Insulator: PBT, UL 94-V0, Black
2. Cover: PBT, UL 94-V0, Black/White
3. Hood Plastic: ABS, Black/White
4. Bullon Plastic: ABS, Black/White
5. Contact: Phosphor Bronze (C5191-EH), T=0.25
6. Contact Area Plated: Gold 1~30u" Plated Over Nickel 50u"
7. Solder Area Plated: Tin Plated (80u" min Lead Free)
8. Up or Down Shell: SPCC, T=0.50
9. Up or Down Shell Plated: Nickel 80u" Plated Over Cu 50u"
10. Connector Shell: SPCC, T=0.50
11. Connector Shell Plated: Gold 1~3u" Plated Over Cu 50u"
12. Hook Spring: Stainless Steel, T=0.30

**Specification:**

1. Contact Resistance: 35mΩ Max.
2. Insulation Resistance: 200MΩ Min. @500VDC
3. Contact Current Rating: 1 Amp AC / DC
4. Voltage Rating: 40V AC
5. Withstanding Voltage: 500V AC For 1 minute
6. Operating Temperature: -25°C ~ +85°C
7. Packing: Tray

**Order Information:**

L-KLS1-MDRMH20  
 L: RoHS  
 SCSI Connector  
 Serial Number  
 No. of 20 26 36 50 Pins

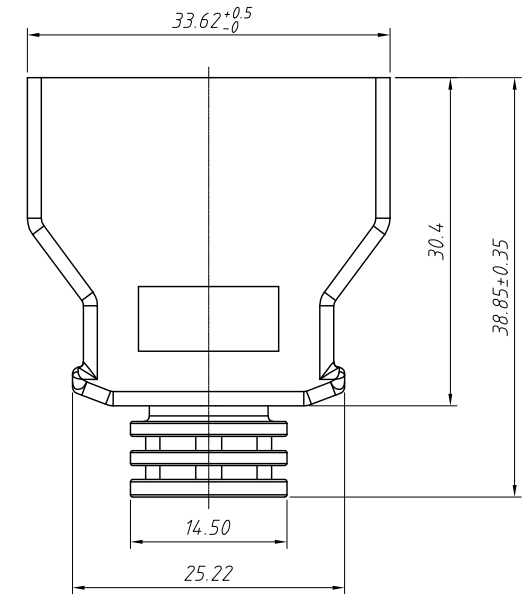
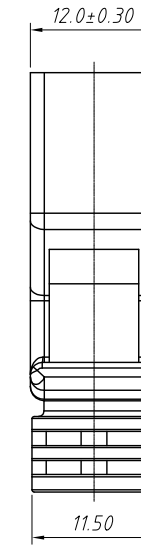
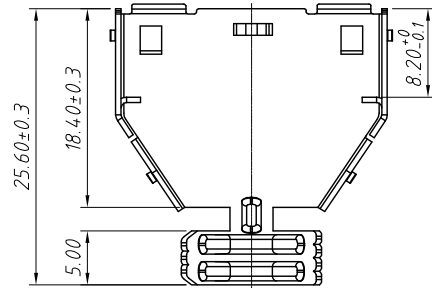
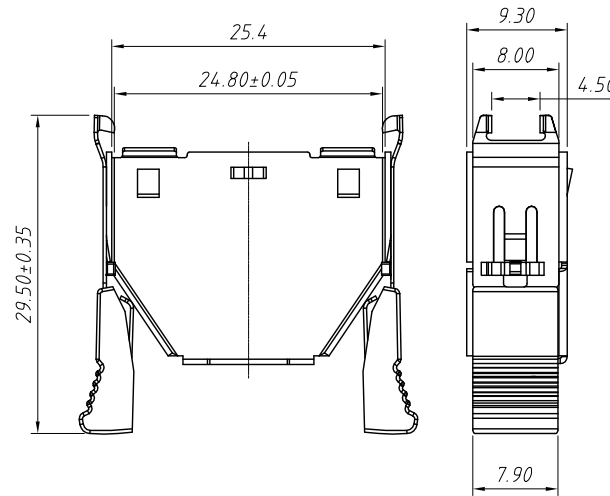
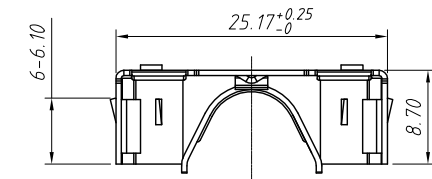


ANGLE TOLERANCE	PROJECTION	Description:	SCSI Connector CN Type Male Solder Plastic Hood with Latch Clip
±3°			
GENERAL TOLERANCE	UNITS	mm	KLS P/N: L-KLS1-MDRMH20
x.x ±0.30	SHEET SIZE	A4	
x.xx ±0.20	Draw:	Daniel	2021-10-11
x.xxx ±0.10	Check:	Daniel	2021-10-11



NingBo KLS ELECTRONIC CO.,LTD.

RoHS Compliance

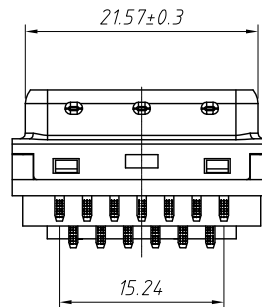
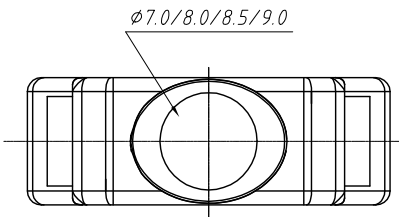
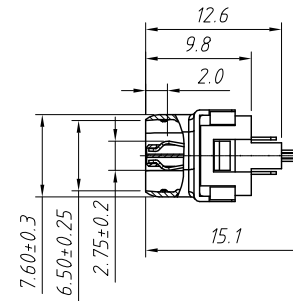
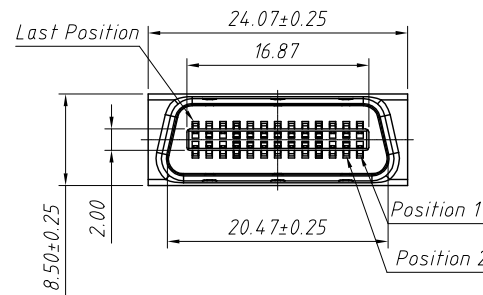


**Material and Finish:**

1. Insulator: PBT, UL 94-V0, Black
2. Cover: PBT, UL 94-V0, Black/White
3. Hood Plastic: ABS, Black
4. Bullon Plastic: ABS, Black
5. Contact: Phosphor Bronze (C5191-EH), T=0.25
6. Contact Area Plated: Gold 1~30u" Plated Over Nickel 50u"
7. Solder Area Plated: Tin Plated (80u" min Lead Free)
8. Up or Down Shell: SPCC, T=0.50
9. Up or Down Shell Plated: Nickel 80u" Plated Over Cu 50u"
10. Connector Shell: SPCC, T=0.50
11. Connector Shell Plated: Gold 1~3u" Plated Over Cu 50u"
12. Hook Spring: Stainless Steel, T=0.30

**Specification:**

1. Contact Resistance: 35mΩ Max.
2. Insulation Resistance: 200MΩ Min. @500VDC
3. Contact Current Rating: 1 Amp AC / DC
4. Voltage Rating: 40V AC
5. Withstanding Voltage: 500V AC For 1 minute
6. Operating Temperature: -25°C ~ +85°C
7. Packing: Tray



**Order Information:**

L-KLS1-MDRMH26

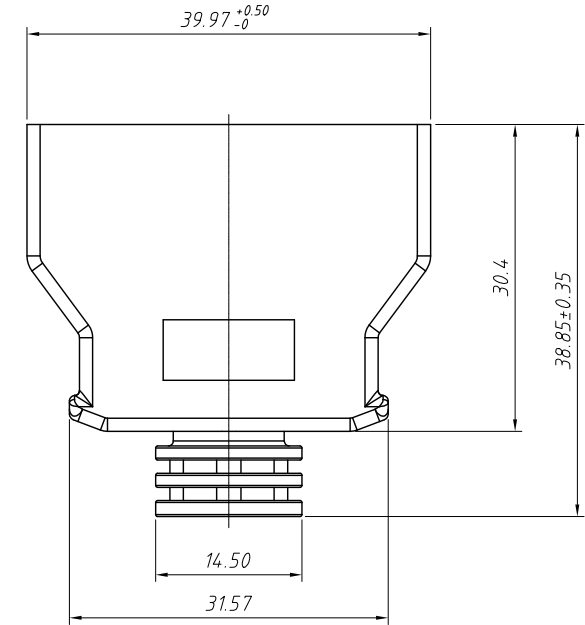
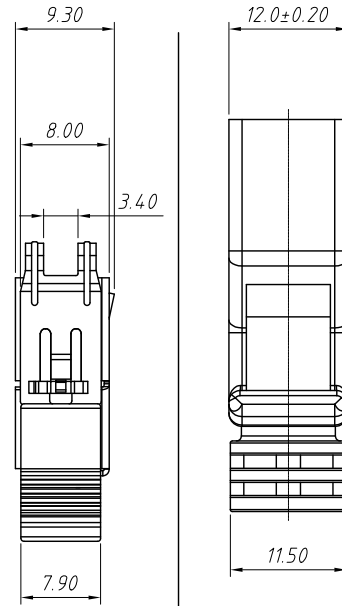
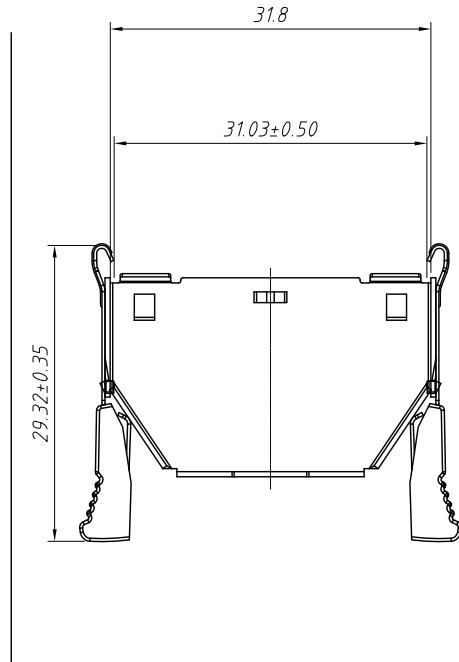
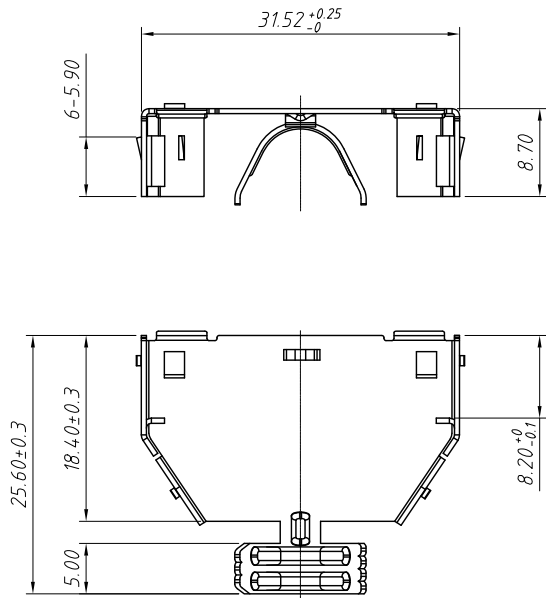
L: RoHS  
SCSI Connector  
Serial Number  
No. of 20 26 36 50 Pins

ANGLE TOLERANCE	PROJECTION	Description:
±3°		SCSI Connector CN Type Male Solder Plastic Hood with Latch Clip
GENERAL TOLERANCE	UNITS	mm
x.x ±0.30	SHEET SIZE	A4
x.xx ±0.20	Draw:	Daniel 2021-10-11
x.xxx ±0.10	Check:	Daniel 2021-10-11



NingBo KLS ELECTRONIC CO.,L TD.

1 RoHS Compliance

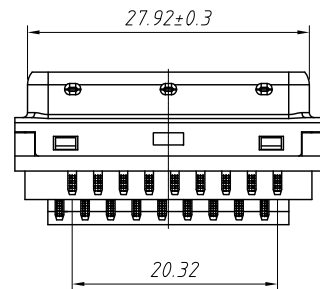
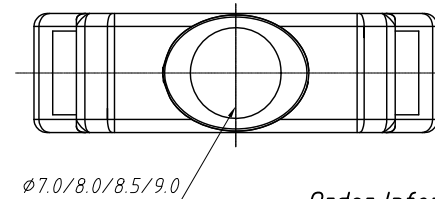
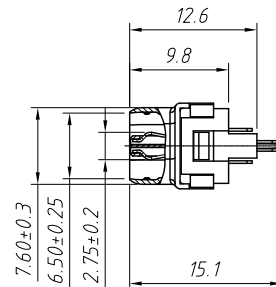
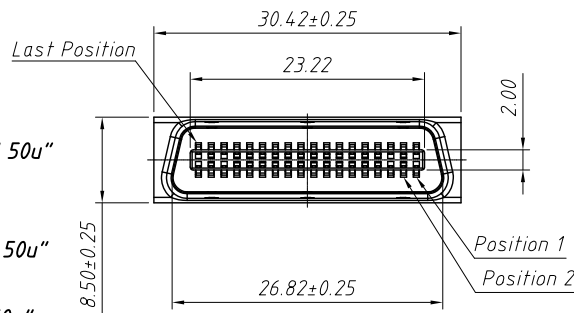


**Material and Finish:**

1. Insulator: PBT, UL 94-V0, Black
2. Cover: PBT, UL 94-V0, Black/White
3. Hood Plastic: ABS, Black/White
4. Bullon Plastic: ABS, Black/White
5. Contact: Phosphor Bronze (C5191-EH), T=0.25
6. Contact Area Plated: Gold 1~30u" Plated Over Nickel 50u"
7. Solder Area Plated: Tin Plated (80u" min Lead Free)
8. Up or Down Shell: SPCC, T=0.50
9. Up or Down Shell Plated: Nickel 80u" Plated Over Cu 50u"
10. Connector Shell: SPCC, T=0.50
11. Connector Shell Plated: Gold 1~3u" Plated Over Cu 50u"
12. Hook Spring: Stainless Steel, T=0.30

**Specification:**

1. Contact Resistance: 35mΩ Max.
2. Insulation Resistance: 200MΩ Min. @500VDC
3. Contact Current Rating: 1 Amp AC / DC
4. Voltage Rating: 40V AC
5. Withstanding Voltage: 500V AC For 1 minute
6. Operating Temperature: -40°C ~ +105°C
7. Packing: Tray



**Order Information:**

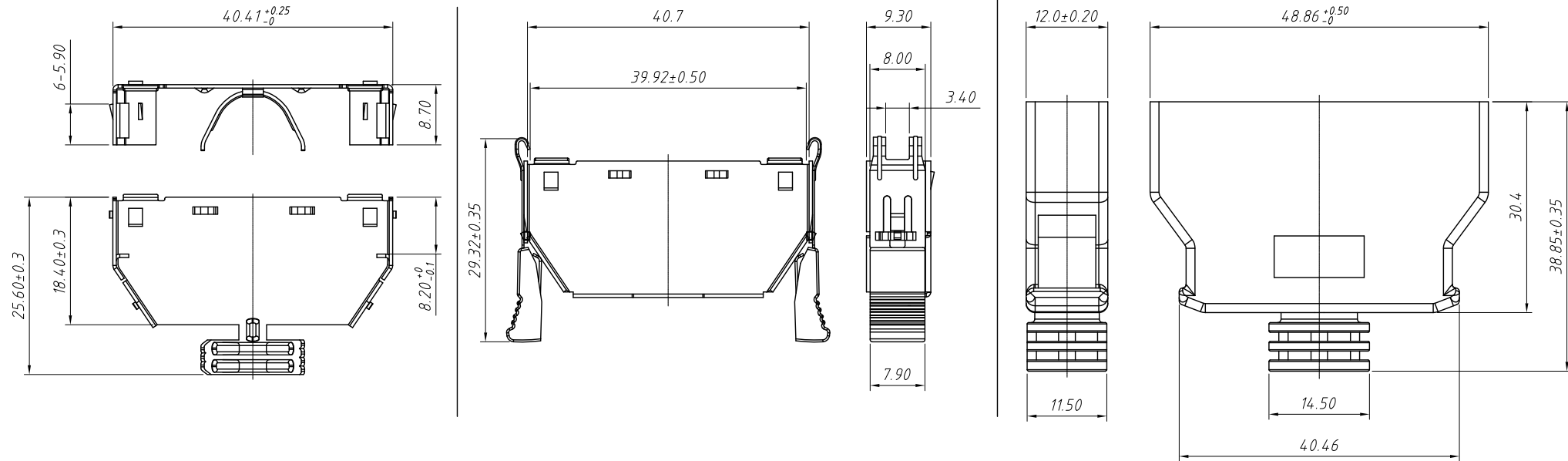
L-KLS1-MDRMH36  
 L: RoHS  
 SCSI Connector  
 Serial Number  
 No. of 20 26 36 50 Pins

ANGLE TOLERANCE	PROJECTION	Description:
±3°		SCSI Connector CN Type Male Solder Plastic Hood with Latch Clip
GENERAL TOLERANCE	UNITS	mm
x.x ±0.30	SHEET SIZE	A4
x.xx ±0.20	Draw:	Daniel 2021-10-11
x.xxx ±0.10	Check:	Daniel 2021-10-11



NingBo KLS ELECTRONIC CO.,L.TD.

RoHS Compliance

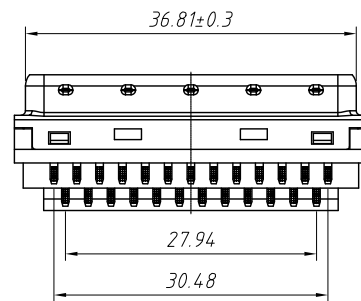
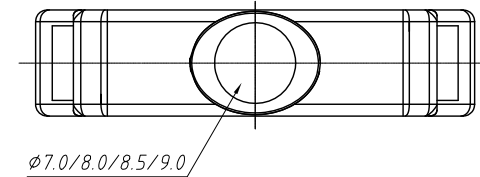
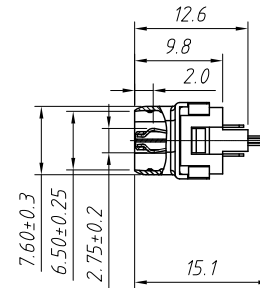
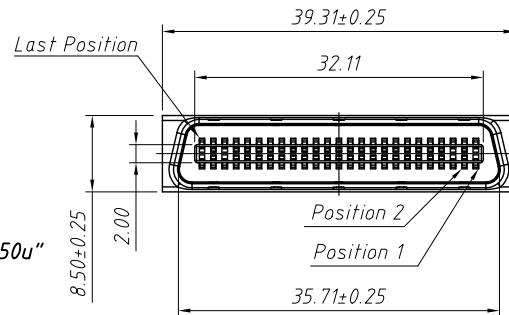


**Material and Finish:**

1. Insulator: PBT, UL 94 - V0, Black
2. Cover: PBT, UL 94 - V0, Black/White
3. Hood Plastic: ABS, Black/White
4. Bullon Plastic: ABS, Black/White
5. Contact: Phosphor Bronze (C5191-EH), T=0.25
6. Contact Area Plated: Gold 1~30u" Plated Over Nickel 50u"
7. Solder Area Plated: Tin Plated (80u" min Lead Free)
8. Up or Down Shell: SPCC, T=0.50
9. Up or Down Shell Plated: Nickel 80u" Plated Over Cu 50u"
10. Connector Shell: SPCC, T=0.50
11. Connector Shell Plated: Gold 1~3u" Plated Over Cu 50u"
12. Hook Spring: Stainless Steel, T=0.30

**Specification:**

1. Contact Resistance: 35mΩ Max.
2. Insulation Resistance: 200MΩ Min. @500VDC
3. Contact Current Rating: 1 Amp AC / DC
4. Voltage Rating: 40V AC
5. Withstanding Voltage: 500V AC For 1 minute
6. Operating Temperature: -25°C ~ +85°C
7. Packing: Tray



**Order Information:**

L-KLS1-MDRMH50  
 L: RoHS  
 SCSI Connector  
 Serial Number  
 No. of 20 26 36 50 Pins

ANGLE TOLERANCE	PROJECTION	Description:
±3°		SCSI Connector CN Type Male Solder Plastic Hood with Latch Clip
GENERAL TOLERANCE	UNITS	mm
x.x ±0.30	SHEET SIZE	A4
x.xx ±0.20	Draw:	Daniel 2021-10-11
x.xxx ±0.10	Check:	Daniel 2021-10-11

L-KLS1-MDRMH50

NingBo KLS ELECTRONIC CO.,L TD.