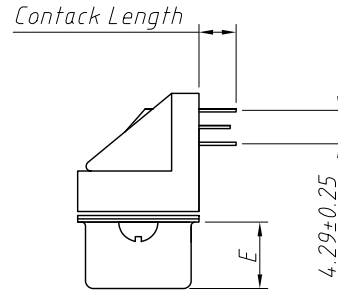
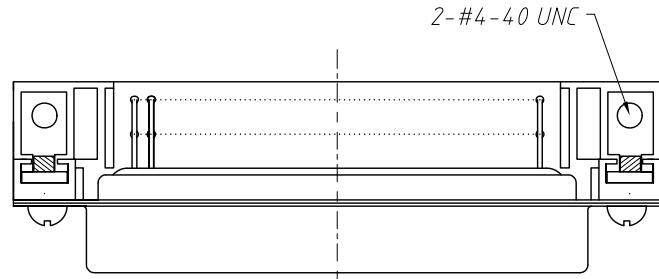


1 RoHS Compliance

REV	SYM	Revision Record	Appr.	Date
V0	KLS01157	New Version Release	WuHao	2025-02-25



Material:

Insulator: PBT & Glass-Fibre Reinforced, UL 94 V-0

Contacts: Phosphor Bronze, Gold Plated

Shell: Steel, Nickel Plated

Electrical Characteristics:

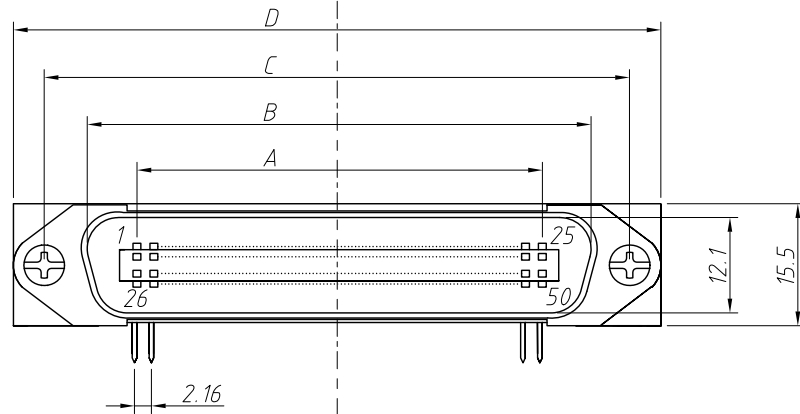
Current Rating: 5.0 Amp

Contact Resistance: 25mΩ Max. mated

Insulator Resistance: 1000MΩ Min. at DC 500V

Dielectric Strength: 1000V AC/Minute

Temperature Range: -55°C ~ +105°C



Order Information:

L-KLS1-182-57A-24-M-L-W/O

L: RoHS

Centronic Connector

With PCB Dip 90 Type

XX-No. of

14, 24, 36, 50 pins

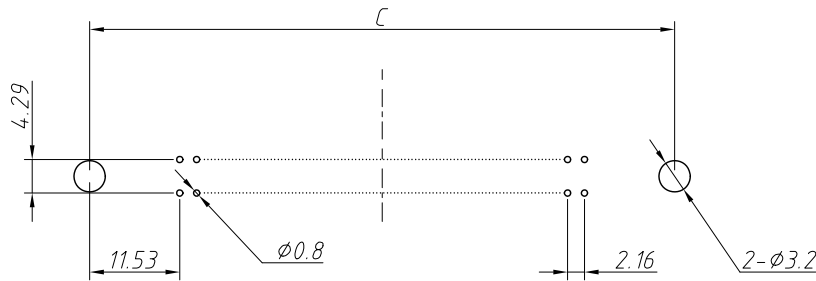
Type: M-Male F-Female

Housing Color:

L-Blue B-Black W-White

W/O-Without Latch

Positions	A	B	C	D	E
14	12.96	25.30	36.00	44.00	9.00
24	23.76	36.20	46.80	54.80	8.90
36	36.72	49.20	59.70	67.70	8.90
50	51.84	64.40	74.90	82.80	8.80



Recommended PCB Layout
Tolerance: ±0.05mm

ANGLE TOLERANCE	PROJECTION	Description:	Centronic Connector With PCB Dip 90 Type, XXP, Male, Blue, Without Latch
±3°			
GENERAL TOLERANCE	UNITS	mm	KLS P/N: L-KLS1-182-57A-XX-M-L-W/O
.x ±0.30	SHEET SIZE	A4	
.xx ±0.20	Draw:	WuHao	2025-02-25
.xxx ±0.10	Check:	Daniel	2025-02-25



NingBo KLS ELECTRONIC CO., L TD.