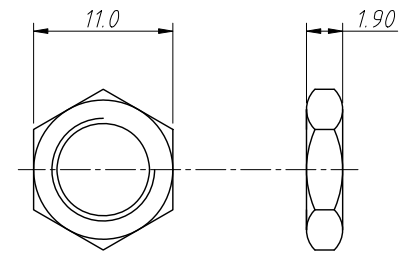
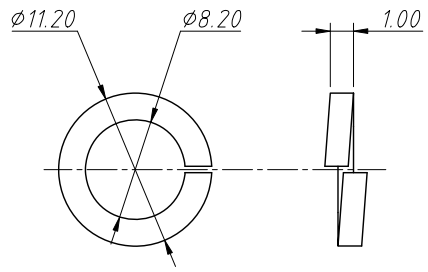
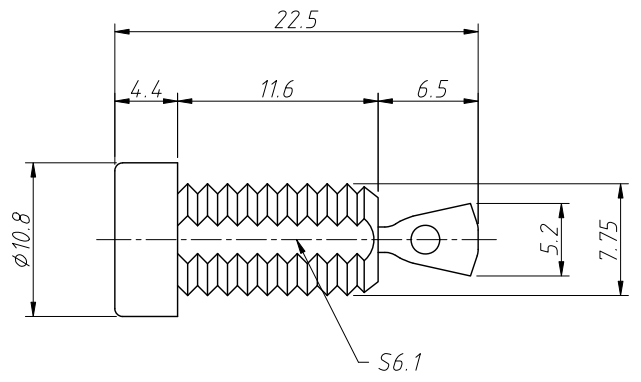


1  
RoHS Compliance

6		7		8	
REV	SYM	Revision Record		Appr.	Date
V0	KLS01165	New Version Release		Song	2025-02-26



Material:  
Housing: ABS, Red/Green/Blue/Yellow/Black  
Contact: Brass, Nickel Plated / Gold Plated  
Nut: Brass  
Gasket: Iron

Order Information:  
L-KLS1-BAJ-002-N-R  
L: RoHS  
DC Banana Jack  
Serial number  
Plating:  
N=Nickel Plated G=Gold Plated  
Optional Color: B=Black  
R=Red L=Blue Y=Yellow G=Green

ANGLE TOLERANCE	PROJECTION	Description:			
$\pm 3^\circ$		Banana Jack Connector			
GENERAL TOLERANCE	UNITS	mm	KLS P/N:	L-KLS1-BAJ-002-X-X	
.x $\pm 0.30$	SHEET SIZE	A4		NingBo KLS ELECTRONIC CO.,L TD.	
.xx $\pm 0.20$	Draw:	Song	2025-02-21		
.xxx $\pm 0.10$	Check:	Daniel	2025-02-21		