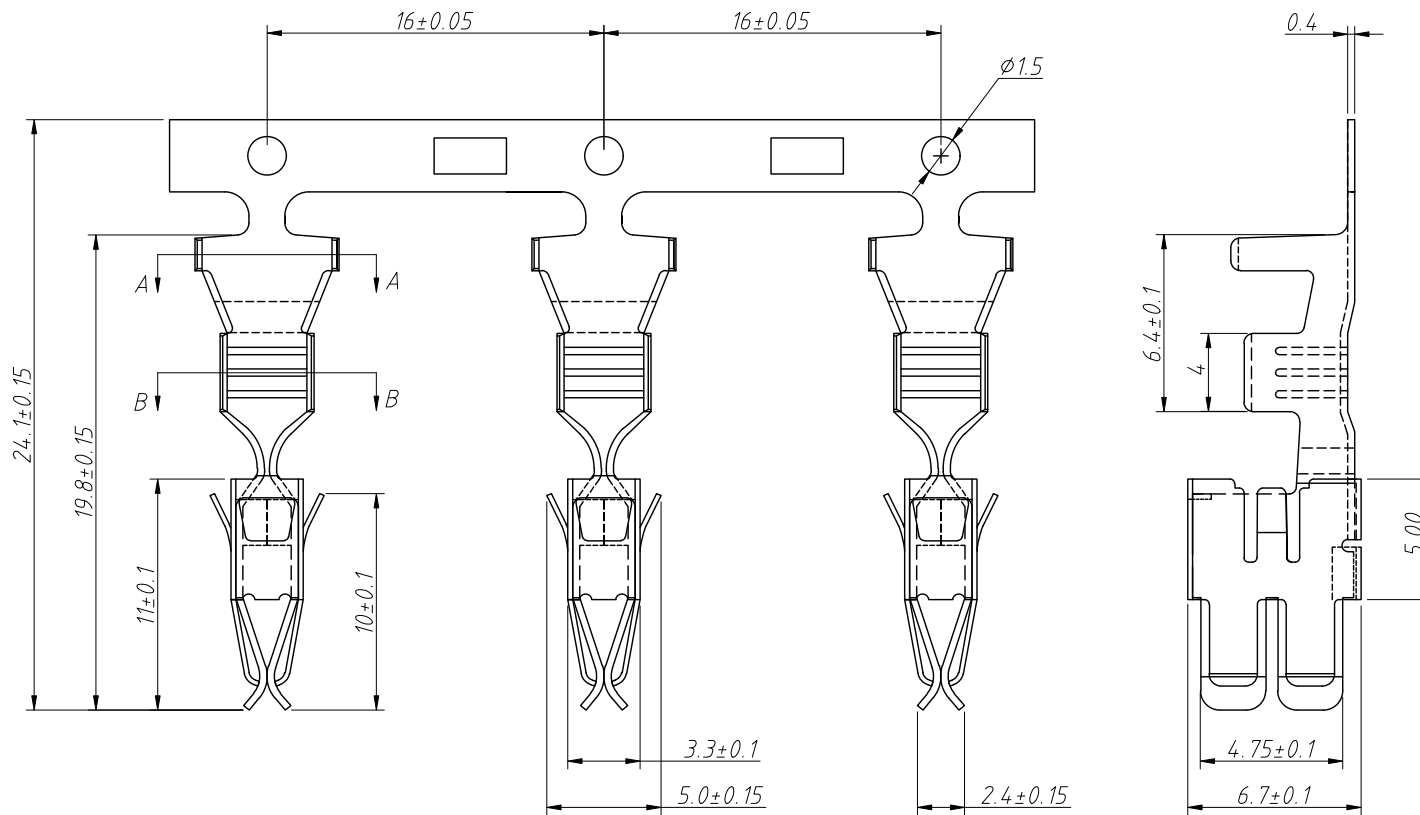


1 RoHS Compliance

7		8		
REV	SYM	Revision Record	Appr.	Date
V0	KLS08018	New Version Release	Song	2025-03-04



Technical requirement:

Material:

Main Body:H62,T=0.4,Tin Plating

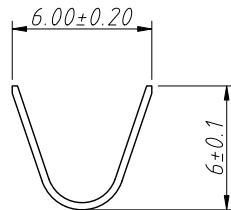
Accessory:Stainless Steel,T=0.25

The mark correct and lucid, terminal should be without fracture, burr, deformation and scratches:

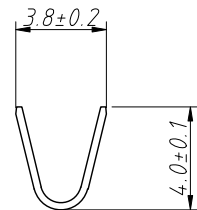
The surface coating should be uniform, sheeny, without mildew spot, blackening, delamination and any other defects.

Products bending parts should not have any mechanical damages and not easy to break, the incision burr ≤ 0.2 mm

Packing:1500PCS/Bag



SECTION A-A

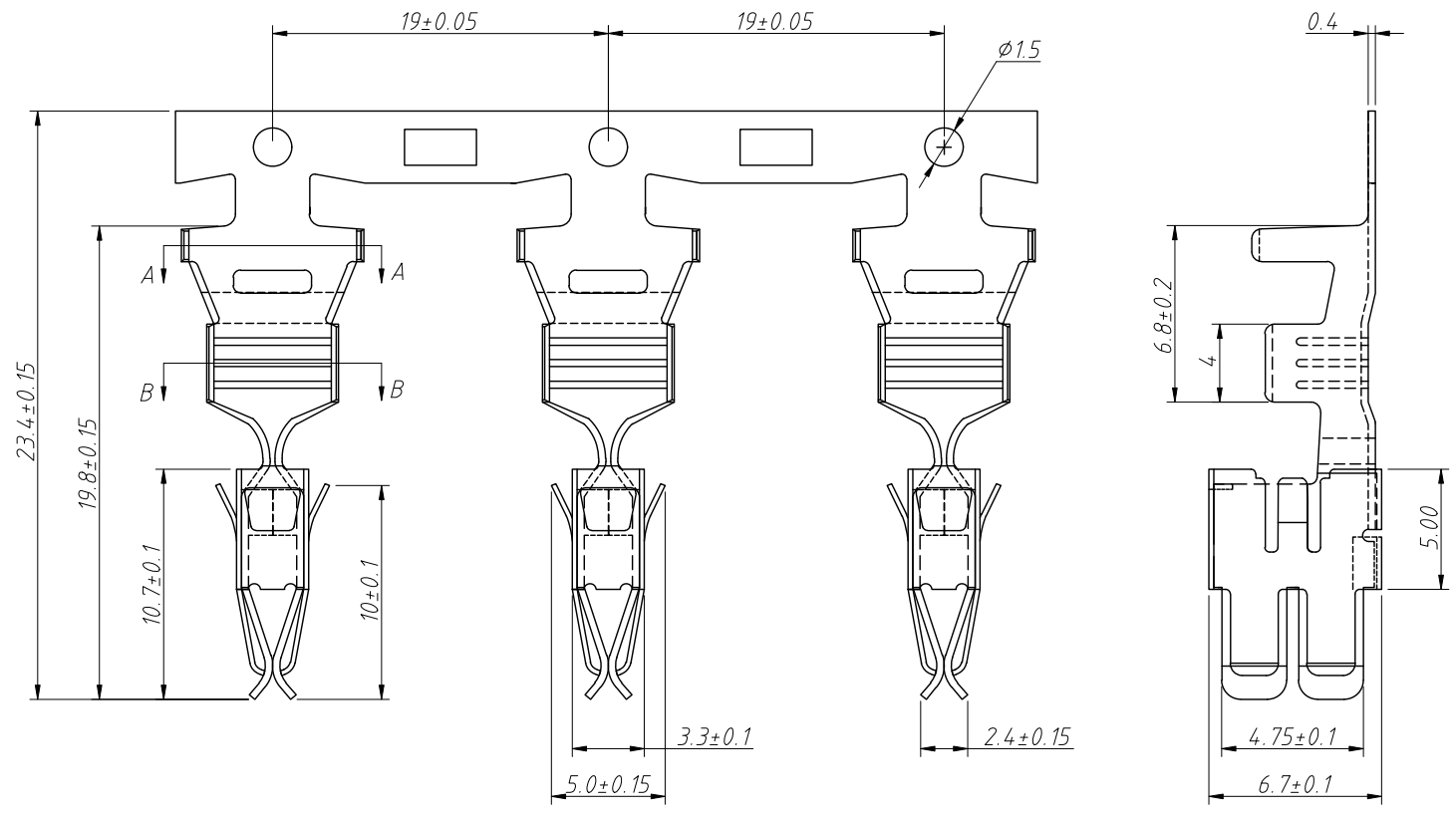


SECTION B-B

ANGLE TOLERANCE	PROJECTION	Description:	Non Insulated Cold Pressed Terminal	
$\pm 3^\circ$				
GENERAL TOLERANCE	UNITS	mm	KLS P/N:	L-KLS8-6219D-187B
.x ± 0.15	SHEET SIZE	A4		
.xx ± 0.10	Draw:	Song	2025-03-04	NingBo KLS ELECTRONIC CO.,L TD.
.xxx ± 0.05	Check:	Daniel	2025-03-04	

1
RoHS Compliance

7		8	
REV	SYM	Revision Record	Appr.
V0	KLS08018	New Version Release	Song
			Date
			2025-03-04



Technical requirement:

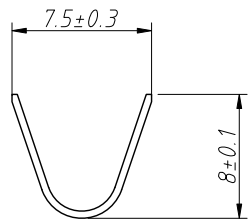
Material:
Main Body:H62,T=0.4,Tin Plating
Accessory:Stainless Steel,T=0.25

The mark correct and lucid, terminal should be without fracture, burr, deformation and scratches:

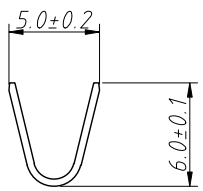
The surface coating should be uniform, sheeny, without mildew spot, blackening, delamination and any other defects.

Products bending parts should not have any mechanical damages and not easy to break, the incision burr ≤0.2 mm

Packing:1200PCS/Bag



SECTION A-A



SECTION B-B

ANGLE TOLERANCE	PROJECTION	Description:	Non Insulated Cold Pressed Terminal	
±3°				
GENERAL TOLERANCE	UNITS	mm	KLS P/N:	L-KLS8-6219D-187D
.x ±0.15	SHEET SIZE	A4		
.xx ±0.10	Draw:	Song	2025-03-04	NingBo KLS ELECTRONIC CO.,L TD.
.xxx ±0.05	Check:	Daniel	2025-03-04	