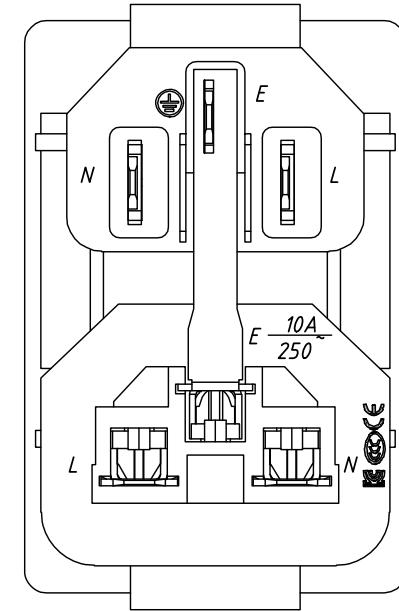
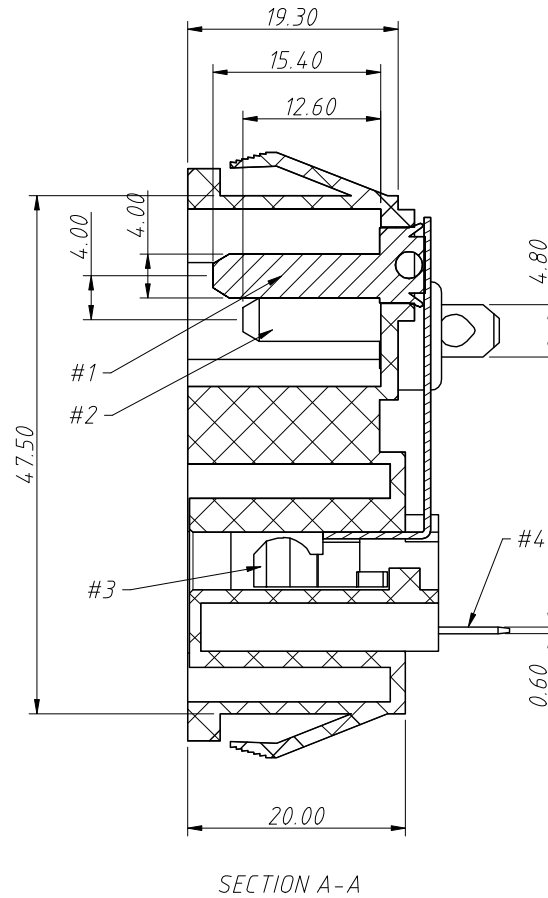
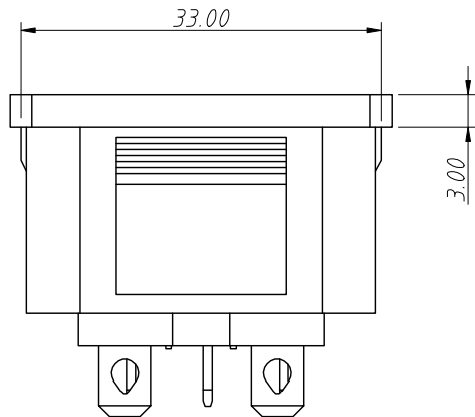
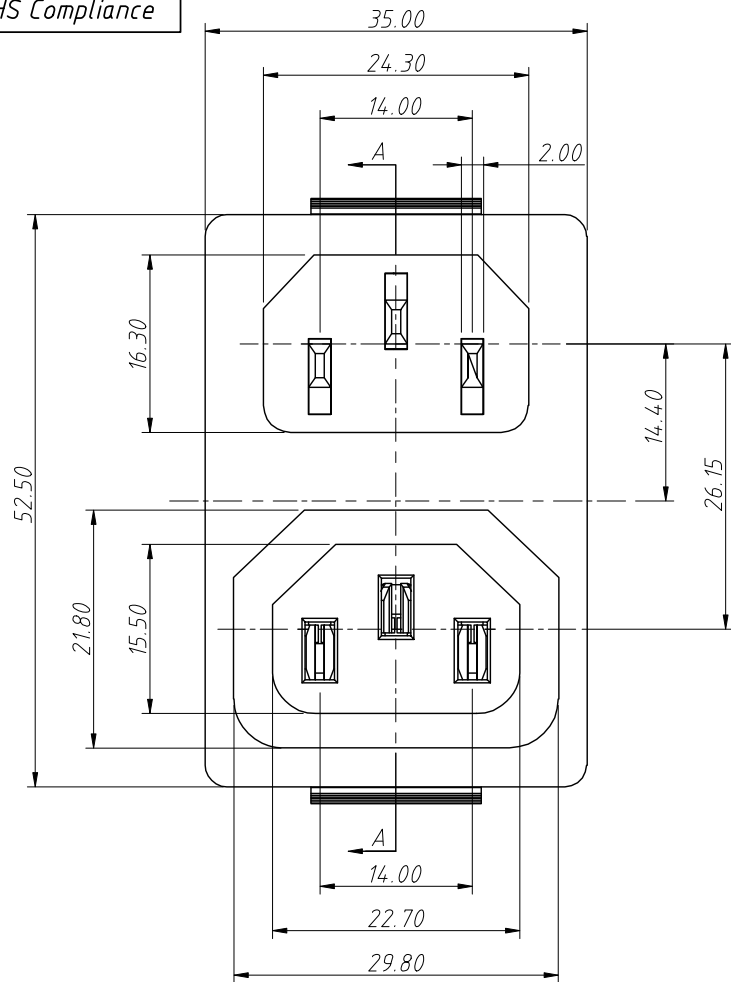


1 RoHS Compliance

REV	SYM	Revision Record	Appr.	Date
V0	KLS01149	New Version Release	Song	2025-02-25



Material:

Base:PA66

#1,#2 PIN:Brass,T=2.0 mm

#3,#4 PIN:Brass,T=0.6 mm

Electricals:

Rating:10A, 250V AC 3C KC TUV CE

Insert And Extract Force:1.36kgf ~ 6.8kgf

Terminal Strength:80N Min

Life:5000 Cycles Min

Withstand Voltage:Between all terminals:2500VAC(50-60Hz)1min

Terminals to Base:3750V AC(50-60Hz)1min

Leakage Current:1mA

Insulation Resistance:100M Ω Min 500V DC

ANGLE TOLERANCE	PROJECTION	Description:		
$\pm 3^\circ$		AC Power Socket Connector		
GENERAL TOLERANCE	UNITS	mm	KLS P/N:	L-KLS1-AS-402A-2P
0~5	± 0.20	SHEET SIZE	A4	
5~30	± 0.30	Draw:	Song	2025-02-25
30~	± 0.50	Check:	Daniel	2025-02-25



NingBo KLS ELECTRONIC CO.,L TD.