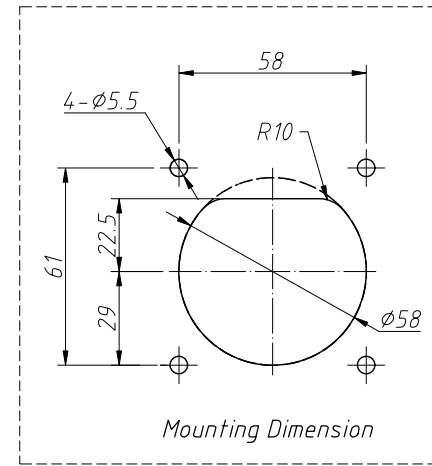
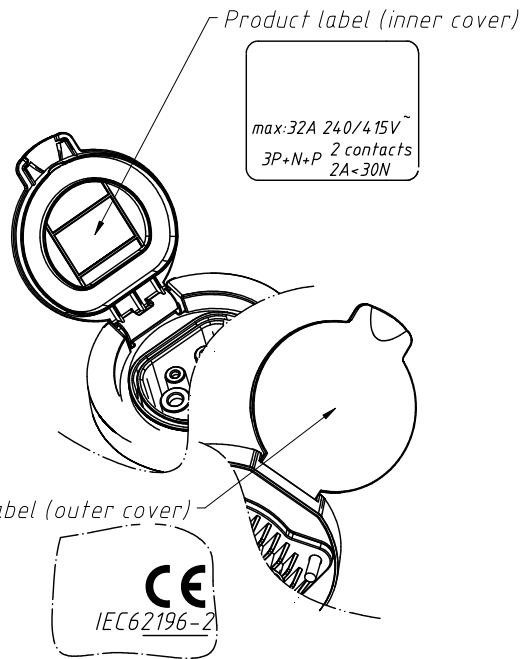


V2-DSIEC2a-G-EV32S



Mounting Dimension



Material:

Housing: Thermoplastic, UL94V-0

Conductor: Copper Alloy, Silver Plated

Electric:

Rated current: 32A

Rated voltage: 240/415V AC

Insulation Resistance: 100MΩ (DC1000V) Min

Contact Resistance: 0.5 mΩ Max

Voltage Withstand: 2000V

Protection Level: IP54 (After installation)

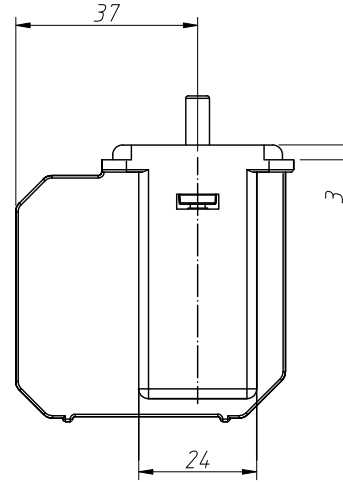
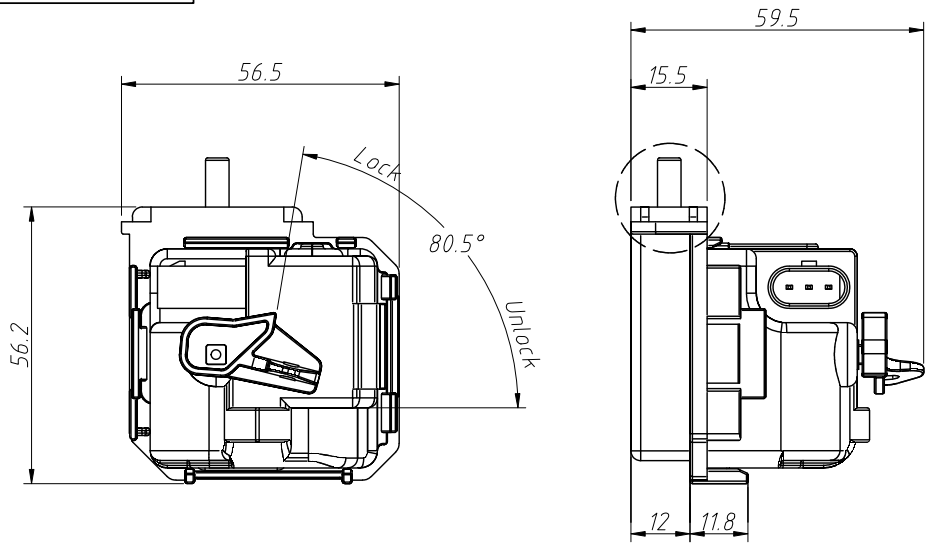
Insertion and extraction force: 45N ~ 80N

Working environment temperature: -30°C ~ +50°C

ANGLE TOLERANCE	PROJECTION	Description:	EV Charging Connector	
±3°				
GENERAL TOLERANCE	UNITS	mm	KLS P/N:	L-KLS15-IEC10-32/415-S
.x ±0.30	SHEET SIZE	A4	1 OF 2	
.xx ±0.20	Draw:	Song	2025-02-25	NingBo KLS ELECTRONIC CO.,LTD.
.xxx ±0.10	Check:	Daniel	2025-02-25	

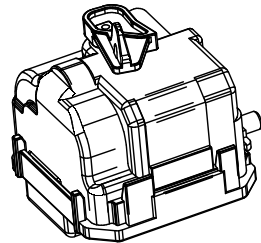
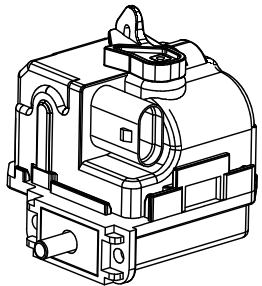
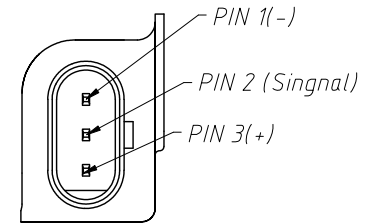
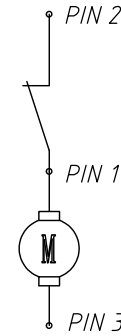
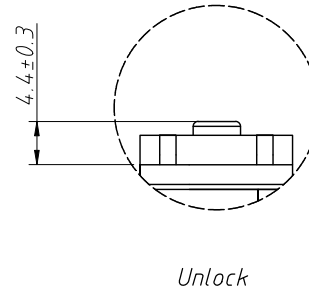
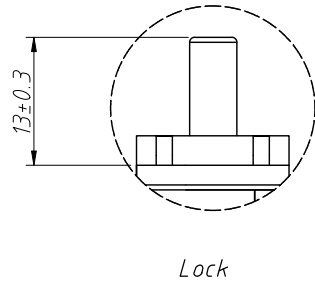
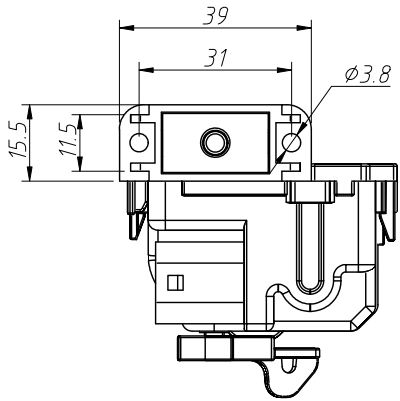
1 RoHS Compliance

REV	SYM	Revision Record	Appr.	Date
V0	KLS01482	New Version Release	Song	2025-02-25



	PIN 3	PIN 1	PIN 2
Unlock	+	-	Connect to Pin1
Lock	-	+	Disconnect to Pin1

Activation time>300 milliseconds



ANGLE TOLERANCE	PROJECTION	Description:		
±3°		EV Charging Connector		
GENERAL TOLERANCE	UNITS	mm	KLS P/N:	L-KLS15-IEC10-32/415-S
.x ±0.30	SHEET SIZE	A4	2 OF 2	NingBo KLS ELECTRONIC CO.,L TD.
.xx ±0.20	Draw:	Song	2025-02-25	
.xxx ±0.10	Check:	Daniel	2025-02-25	