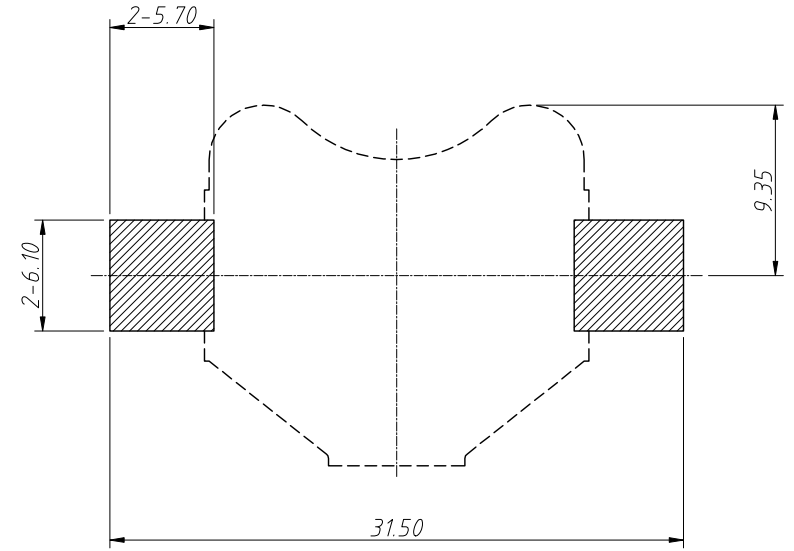
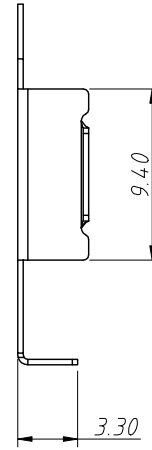
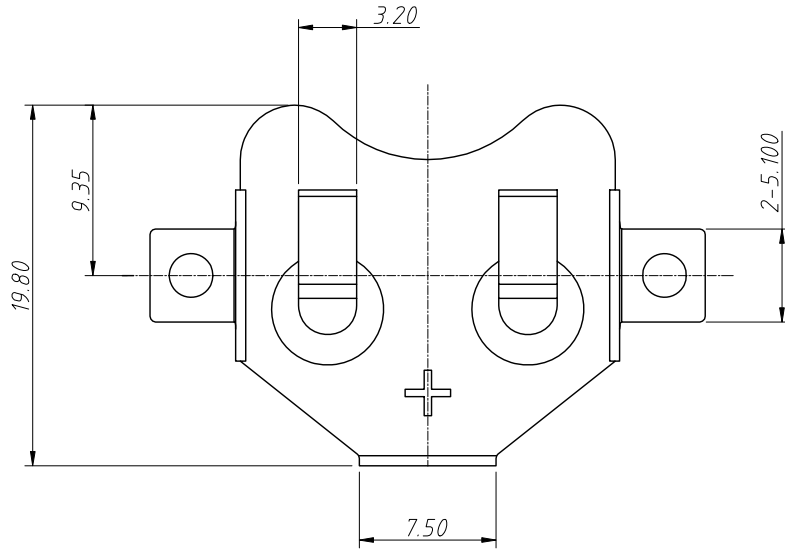
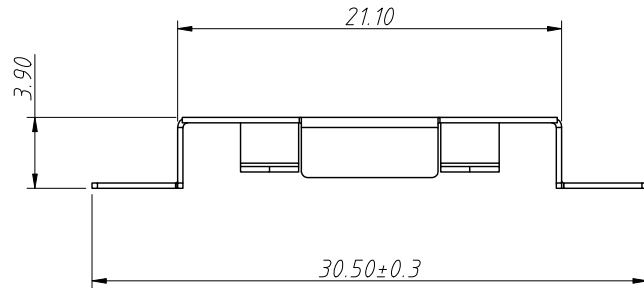


1 RoHS Compliance

REV	SYM	Revision Record	Appr.	Date
V0	KLS05047	New Version Release	Song	2025-01-16



Recommended PCB Layout
Tolerance: ±0.05mm



Material:
Phosphor Bronze, T=0.3mm, Nickel Plated.

Electric:
Dielectric Voltage: 500V AC One Sec Level.
Contact Resistance: 30 mΩ Max.
Insulator Resistance: 100 MΩ Min.
Operating Temperature: -40°C ~ +85°C.

ANGLE TOLERANCE	PROJECTION	Description:	Battery Clip	
±3°				
GENERAL TOLERANCE	UNITS	mm	KLS P/N:	L-KLS5-CR2032-09-R
.x ±0.25	SHEET SIZE	A4		
.xx ±0.20	Draw:	Song	2025-01-16	NingBo KLS ELECTRONIC CO.,L TD.
.xxx ±0.10	Check:	Daniel	2025-01-16	