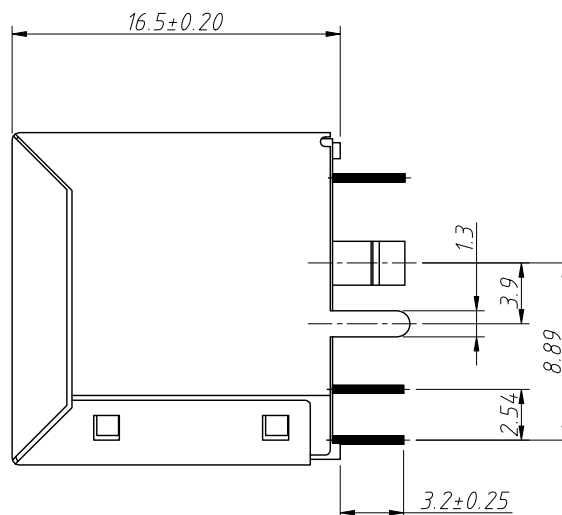
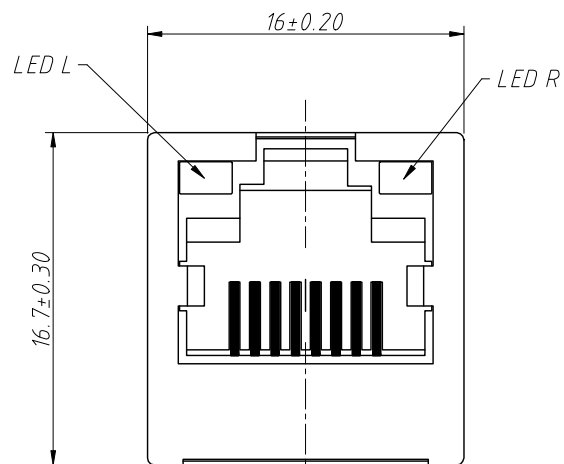


1 RoHS Compliance

REV	SYM	Revision Record	Appr.	Date
V0	KLS12069	New Version Release	Song	2025-01-13

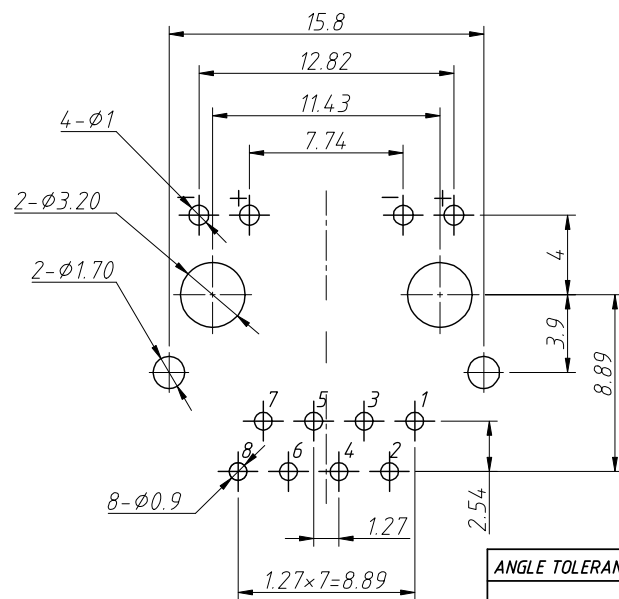
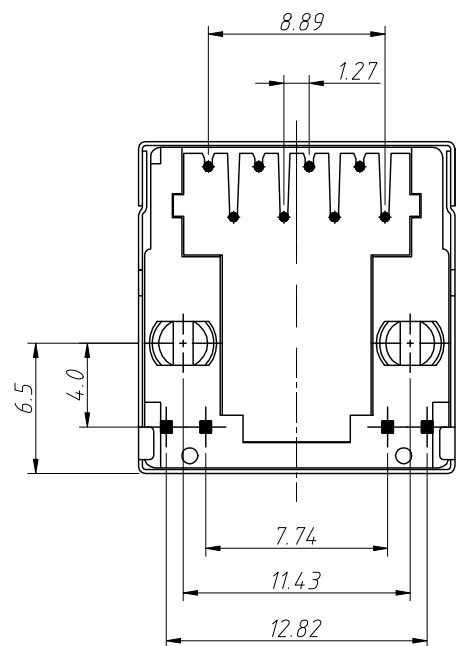


Material:  
 Housing: Glass filled PBT, UL 94 V-0, Black  
 Contact: Phosphor Bronze,  $\phi 0.46\text{mm}$ ,  
 Gold Plating Over Nickel,

Electrical:  
 Voltage Rating: 125 VAC RMS  
 Current Rating: 1.5 AMP  
 Contact Resistance: 30m $\Omega$  Max  
 Insulation Resistance: 500M $\Omega$  Min. AT 500VDC  
 Dielectric Withstanding Voltage: 1000VAC RMS 50Hz 1Min  
 Operating Life: 750 Cycles Min  
 Insetion Force: 2.2Kgf Max  
 Retention Strength: 7.7Kgf Min Between Jack And Plug  
 Storage Temperature: -40°C ~ +85°C  
 Operation Temperature: -40°C ~ +70°C

Order Information  
 L-KLS12-109B-8P8C-W-G/Y-01

RoHS  
 Contacts: 8P8C  
 Shield: W=With Shield  
 LED Code: (LED L/LED R)  
 G/Y-Green/Yellow Y/G-Yellow/Green  
 G/G-Green/Green Y/Y-Yellow/Yellow  
 R/G-Red/Green G/R-Green/Red  
 Plating Code:  
 01=Fu" Gold Plating 02=3u"Gold Plating  
 03=6u"Gold Plating 04=15u"Gold Plating  
 05=30u"Gold Plating



Recommended PCB Layout  
 Tolerance:  $\pm 0.05\text{mm}$

ANGLE TOLERANCE	PROJECTION	Description:	RJ45-8P8C Jack with LED	
$\pm 3^\circ$				
GENERAL TOLERANCE	UNITS	mm	KLS P/N:	L-KLS12-109B-8P8C-W-X/X-XX
.x $\pm 0.25$	SHEET SIZE	A4		
.xx $\pm 0.15$	Draw:	Song	2025-01-13	NingBo KLS ELECTRONIC CO.,L TD.
.xxx $\pm 0.05$	Check:	Daniel	2025-01-13	